

ETT-E Heating Element, G 6/4", with thermostatic head and contactor, single phase, in stainless steel, fixed wiring

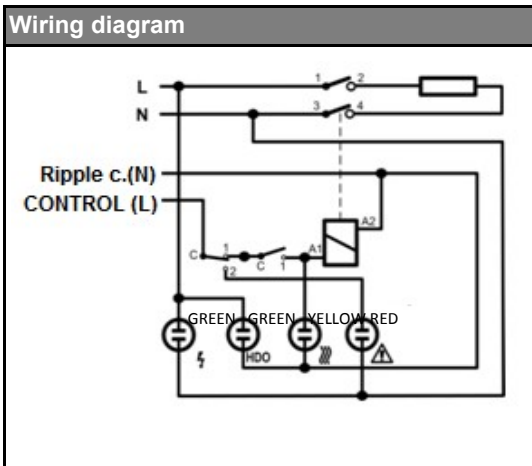


Application	
Purpose	heating of static working fluid in hot water storage tanks and Thermal Stores
Working fluid*	drinking water, heating water, antifreeze fluid for heating systems and heat pumps
Installation position	horizontal, with cable gland downwards, element shall be completely immersed in working fluid

Design	
Heating element	electric, resistive, nickel-plated, thermostatic head with contactor
Connection thread	G 6/4" M
Connection to mains	cable for fixed wiring to a terminal box or fuse board

El. wiring	1/N/PE AC 230 V
Power supply voltage	230 V 50 Hz
IP rating by EN 60529	IP 54
Protection class by EN 61140 ed.2	I

Power supply cable	grey
Cross section area	5x1.5 mm ²
Length	2 m
Grommet	Pg 11



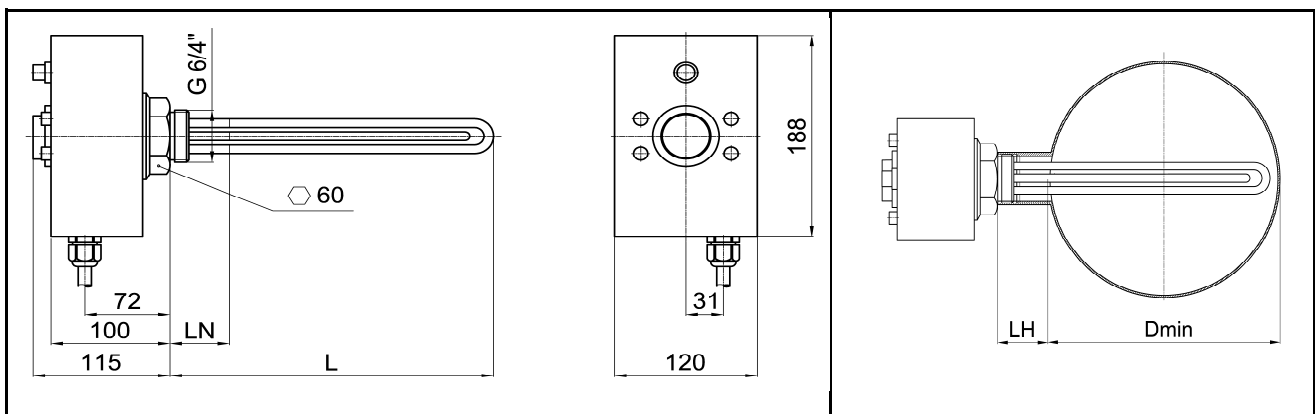
Adjustable thermostat	capillary type
Switch-over contact	16 A
Temp. adjustment range	from 0 ± 5 °C to 90 ± 3 °C
Temp. adjustment method	control knob
Switching difference	5 ± 1.5 °C
Lower limit	circa 15 °C – frost protection
Upper limit	cca 60 °C – for hot water storage
<i>Both limits can be changed or eliminated completely by removing the knob.</i>	

Safety thermostat	capillary type, fixed setting
Switch-off temperature	99 +0/-6 °C
Reset	manual, after temperature drops

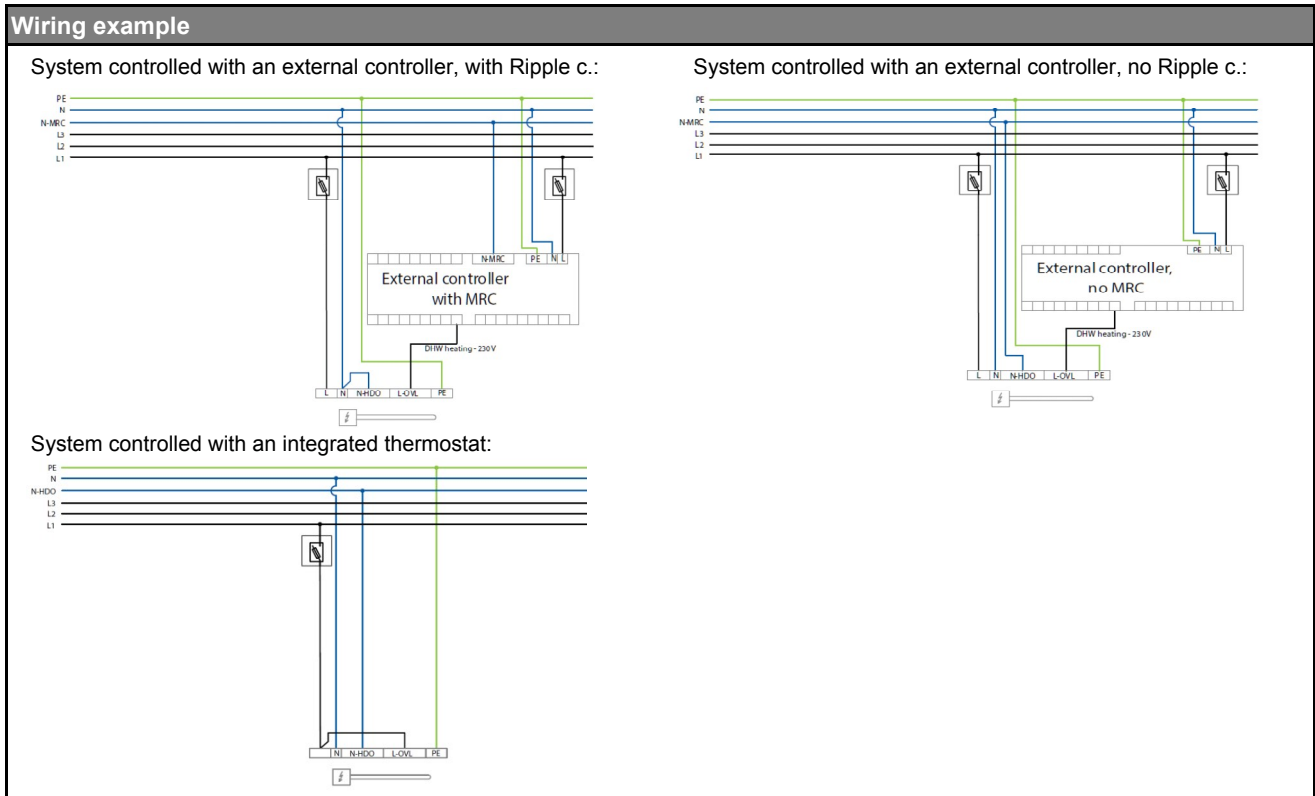
Contactor	AC1 : 20 A / 690 V, 1Z
Coil voltage	AC 220 – 240 V
Frequency	50 Hz

Materials	
Heating element	stainless steel
Heating element housing	aluminium alloy
Threaded hexagon	nickel-plated brass
Power supply cable	PVC

ETT-E Heating Element, G 6/4", with thermostatic head and contactor, single phase, in stainless steel, fixed wiring



Element type	Nominal output	Nominal current	Element length L	Non-heating end length LN	Min. tank diameter without inner HE, Dmin		Code
					for LH=50mm	for LH=100mm	
ETT – E - 2.0	2.0 kW	8.7 A	470 mm	100 mm	450 mm	400 mm	11 785
ETT – E - 3.0	3.0 kW	13.0 A	370 mm	100 mm	340 mm	300 mm	11 786



*** This heating element is not designed to heat other fluids than listed, nor gases or vapours. Heating fluid in direct contact with the heating element shall meet the relevant standards. Hot water values shall not exceed the following limits:**

pH	Total Dissolved Solids (TDS)	Calcium	Chlorides	Sodium	Iron
6.5-9.5	600 mg/l	40 mg/l	100 mg/l	200 mg/l	0,2 mg/l