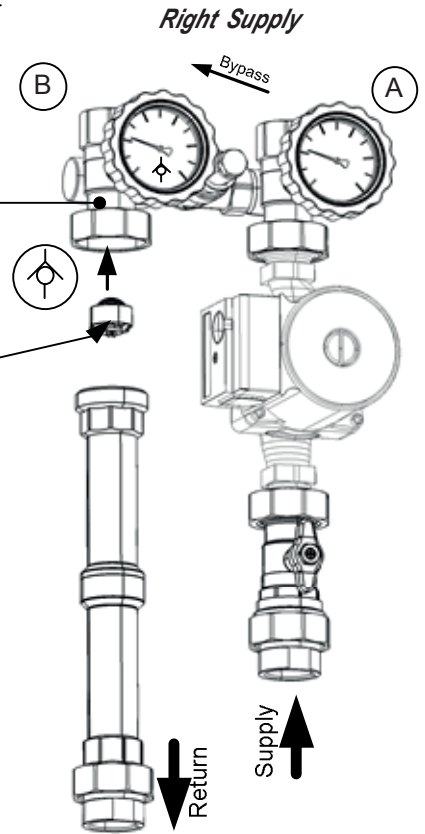
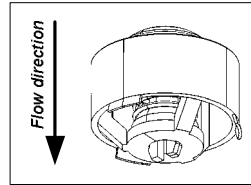
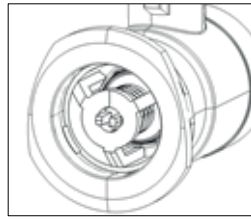


M3 Pump Station with 1" connection and bypass, code 8914

Check valve:

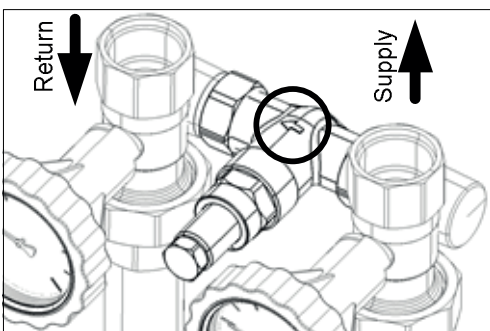
The check valve is installed in the ball valve of the return line.

Attention: to exclude the check valve, turn the handle by 45° clockwise.

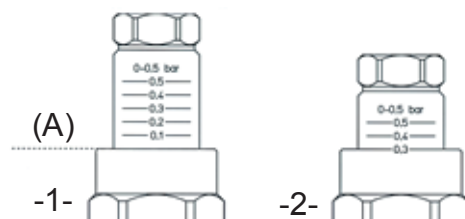
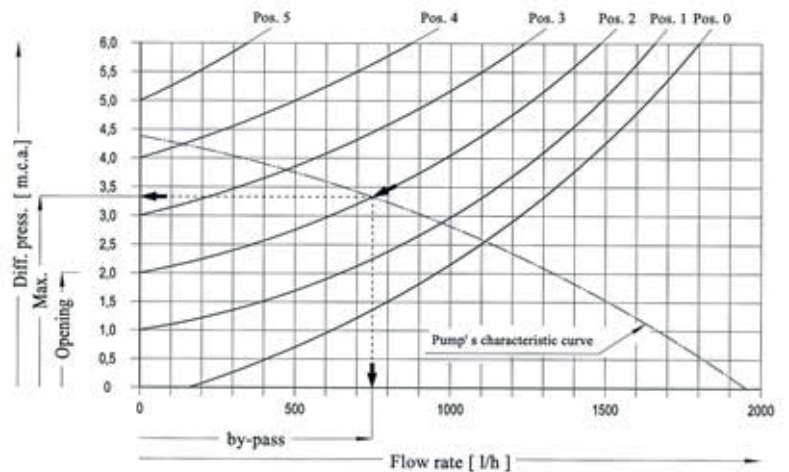


- (A) - Supply ball valve (red ring thermometer)
- (B) - Return ball valve (blue ring thermometer) with check valve.

Bypass Valve Setting

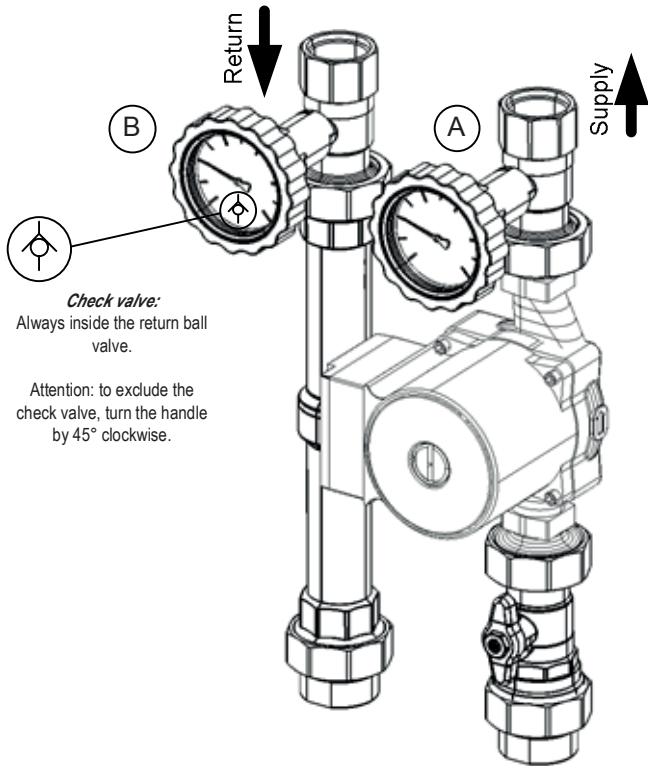


Right Supply



The data of the diagram can be used to set the valve.
Fig. 1. The notch reference of the setting is the top of the nut (A).
Fig. 2. Example of the setting at the value of 0.3 bar.

M2 Pump Station with 1" connection, no bypass, code 8913



(A) - Supply ball valve (red ring thermometer)

(B) - Return ball valve (blue ring thermometer) with check valve.

Check valve:

Always inside the return ball valve.

Attention: to exclude the check valve, turn the handle by 45° clockwise.

