

THREE-WAY ZONE VALVES



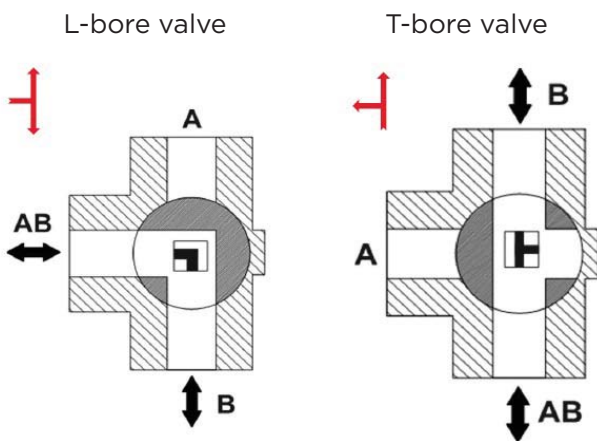
VZK R Three-way Zone Ball Valve

Zone ball valves intended for heating or solar thermal systems with water or antifreeze fluid and for drinking water systems.

The valve is equipped with a **two-point control actuator (SPST)**. The actuator can be removed without disassembling the valve. The valve must not be installed in a position with the actuator facing down.

A working neutral, a permanent phase and a control phase must be supplied to the valve. Without the control phase, the outlet B is open, after the control phase is applied, the outlet A opens. The order of outlets opening and the direction of actuator rotation can be changed. Opening time is 60s or 15s. The valve can be adjusted manually by turning the lever (after switching to manual control mode).

Two versions are available: L-bore and T-bore.



TECHNICAL DATA

MAX. WORKING PRESSURE	10 bar
MAX. PRESSURE DIFFERENCE	10 bar
FLUID WORKING TEMPERATURE	up to 110 °C

MATERIALS

VALVE HOUSING	CW617N
VALVE SPINDLE	CW617N
VALVE BALL	chrome-plated brass
O-RINGS	EPDM, FPM
POWER CABLE	PVC

ACTUATOR

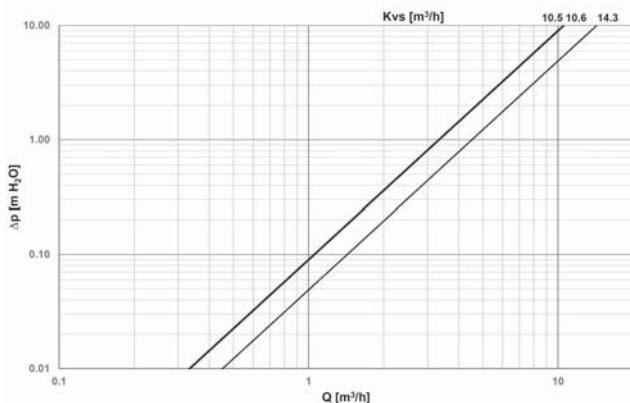
POWER SUPPLY	230 V 50 Hz
MAX. POWER INPUT	4VA
CURRENT	17 mA
IP RATING BY EN 60529	IP 42
PROTECTION CLASS BY EN 61140 ed.2	II

POWER CABLE

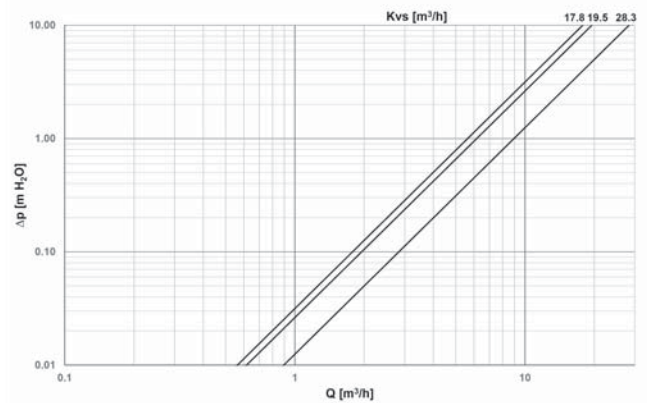
CROSS SECTION	3 × 0.5 mm ²
LENGTH	2 m

VALVE PRESSURE DROP

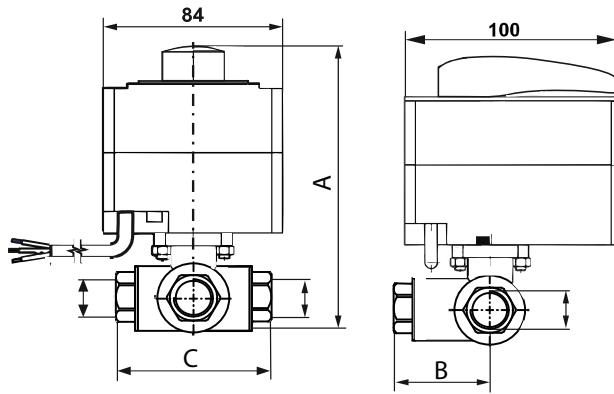
Pressure drop in perpendicular direction



Pressure drop in straight direction



DIMENSIONS AND TYPES



L-bore models		VZK R 320 60 L 3/4F	VZK R 320 60 L 1F	VZK R 320 15 L 1F	VZK R 325 60 L 1F	VZK R 325 15 L 1F	VZK R 325 60 L 5/4F	VZK R 325 15 L 6/4M
CONNECTIONS	--	3/4" F	1" F	1" F	1" F	1" F	5/4" F	6/4" M
A	mm	160	160	160	168	168	168	168
B	mm	50	50	50	52	52	52	64
C	mm	96	96	96	104	104	104	128
WEIGHT	kg	1.3	1.3	1.3	1.7	1.7	1.8	1.8
NOMINAL DIAMETER	DN	20	20	20	25	25	25	25
KVS PERPENDICULAR	m ³ /h	10.5	10.6	10.6	14.3	14.3	14.3	14.3
SHIFT TIME	s	60	60	15	60	15	60	15
CODE	--	19367	19366	20022	13604	19000	18671	19005

T-bore models		VZK R 320 60 T 3/4F	VZK R 320 60 T 1F	VZK R 320 15 T 1F	VZK R 325 60 T 1F	VZK R 325 15 T 1F	VZK R 325 60 T 5/4F	VZK R 325 15 T 6/4M
CONNECTIONS	--	3/4" F	1" F	1" F	1" F	1" F	5/4" F	6/4" M
A	mm	160	160	160	168	168	168	168
B	mm	50	50	50	52	52	52	64
C	mm	96	96	96	104	104	104	128
WEIGHT	kg	1.3	1.3	1.3	1.7	1.7	1.8	1.8
NOMINAL DIAMETER	DN	20	20	20	25	25	25	25
KVS PERPENDICULAR	m ³ /h	10.5	10.6	10.6	14.3	14.3	14.3	14.3
KVS STRAIGHT	m ³ /h	17.8	19.5	19.5	28.3	28.3	28.3	28.3
SHIFT TIME	s	60	60	15	60	15	60	15
CODE	--	19189	19187	20019	18550	19001	18676	19006

ELECTRICAL WIRING

