

THREE-WAY ZONE VALVES

AMC Actuators for Zone Valves

Actuators designed for 2-point (SPST) control of flanged ball valves. The valve position can be identified by the lever position and field colour (blue x red), the LED light indicates the current movement direction.



TYPEY

| | | | |
|------------|----|-------|-------|
| SHIFT TIME | s | 60 | 15 |
| CODE | -- | 14093 | 17176 |

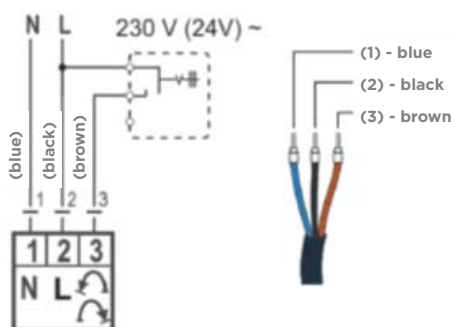
TECHNICAL DATA

| | |
|--------------------|-------------------------|
| DIMENSIONS | 84 x 101 x 99 mm |
| MATERIALS | |
| ACTUATOR COVER | Polycarbonate |
| POWER CABLE | PVC |
| VALVE BALL | chrome-plated brass |
| O-RINGS | FPM |
| ACTUATOR | |
| CONTROL | 2-point |
| TORQUE | 5 Nm |
| POWER SUPPLY | 230V 50Hz |
| POWER INPUT | 2.5 VA |
| IP/PROT. CLASS | IP42/I |
| POWER CABLE | |
| CROSS SECTION | 3 x 0.5 mm ² |
| LENGTH | 2 m |

ELECTRICAL WIRING

2-point (SPST):

wire marking:



AVC actuators (see page 10) can also be used to control zone valves using the mounting adapter (code 14094).

The most commonly used AVC-5Nm-60s actuator (code 10875) is also available as a set with the adapter (code 18626).

