

G 6/4" ELECTRIC HEATING ELEMENTS with thermostatic head

Output: 7.5 - 12 kW

Application: thermal stores and hot water tanks

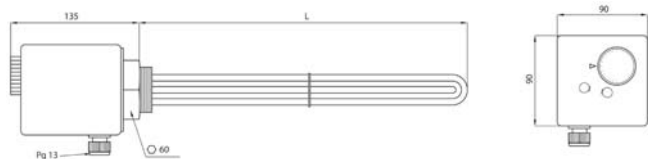


ETT-S Electric Heating Elements

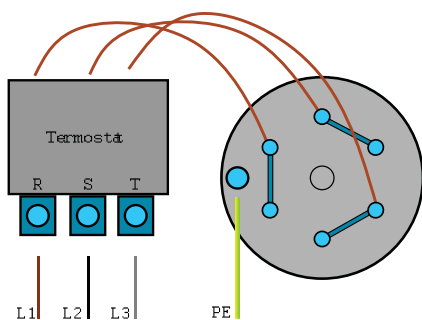
Nickel-plated electric resistance heating elements **with thermostatic head, no contactor**, intended for heating of static or flowing heating water or antifreeze fluid in thermal stores or **drinking water in hot water tanks**. These elements are not intended for stainless steel tanks.

They are designed to be installed in a horizontal position so that the element is completely immersed in the working fluid, with the cable gland downwards. They are wired to the mains by a fixed connection of the cable (not included in supply) to a terminal box or switchboard.

DIMENSIONS, MODELS



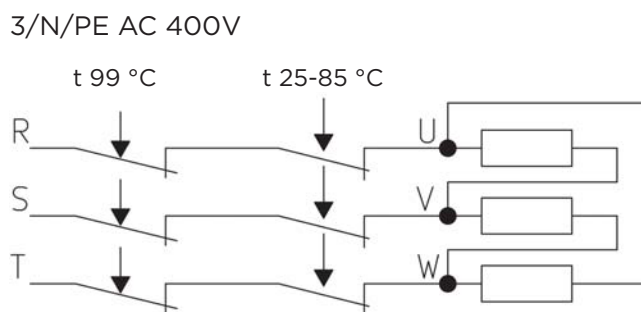
CONNECTION DIAGRAM



TECHNICAL DATA

HEATING ELEMENT	nickel-plated copper
CONNECTION	G 6/4" M
HEXAGON WITH G 6/4" THREAD	nickel-plated brass
CASE	plastic
POWER SUPPLY	230V 50 Hz
IP RATING	IP 65
PROTECTION CLASS BY EN 61140 ed.2	I
OPERATING THERMOSTAT	capillary type, adjustable
SWITCH-OVER CONTACT	20 A
TEMPERATURE ADJUSTMENT RANGE	from 25 °C to 85 °C
TEMPERATURE ADJUSTMENT METHOD	rotating knob
SWITCHING DIFFERENCE	5 ± 1.5 °C
SAFETY THERMOSTAT	capillary type, fixed setting
SWITCH OFF TEMPERATURE	99 +0/-6 °C
RESET	manual, after temperature drops by 10 K min.

INTERNAL WIRING DIAGRAM



MODEL

		ETT-S 7.5	ETT-S 9.0	ETT-S 12.0
NOMINAL OUTPUT	kW	7.5	9.0	12.0
MAX. CURRENT	A	20	20	20
ELEMENT LENGTH (L)	mm	575	970	805
NON-HEATING END LENGTH (LN)	mm	100	100	100
CODE	--	20169	19701	20167