

DATA SHEET

Wmix-H Thermostatic Mixing Valve for hot water



20412

20427

Main Features

Description	Valve ensures such mixing cold and hot water from a heater that the outgoing water is of the preset temperature. If cold water supply is interrupted, the valve closes hot water supply to avoid scalding at the outlet point. Valve code 20412 and 20413 have threaded fittings with check valve to prevent back flow and with strainer for protection against dirties at cold and hot water inlet to the valve. There is only threaded fitting at the mixed water outlet.
Working fluid	Drinking and hot water.
Installation	Following the connection diagram; the flow direction marked by arrows on the housing shall be respected.

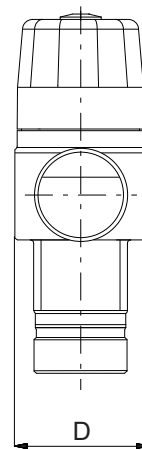
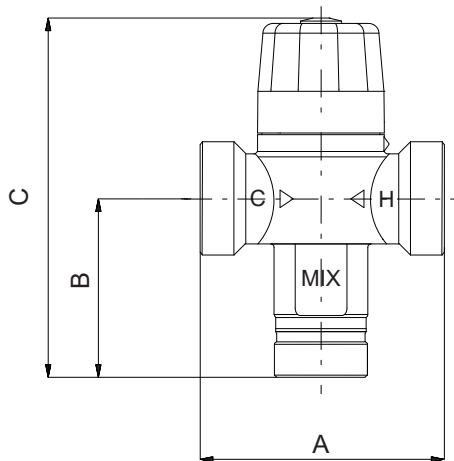
Technical Data

Max. working pressure	10 bar
Working fluid temperature	5 °C to 90 °C
Temperature range	35 °C to 55 °C ± 2 °C
Max. cold water temperature at the inlet to the valve	25 °C
Min. temperature difference between hot and mixed water	10 K

Materials

Valve housing	brass CW 617N
Seal	EPDM
Check valve	POM a EPDM
Strainer	AISI 304
Control knob	ABS

Dimensions



H – hot water in
C – cold water in
MIX – mixed water out

Type	Wmix-H S20	Wmix-H S20 ZV 1/2 M	Wmix-H S25	Wmix-H S25 ZV 3/4 M
Code	20426	20412	20427	20413
A [mm]	60	130	68	148
B [mm]	50	85	50	90
C [mm]	102	137	102	142
D [mm]	39	39	39	39
Connection	3 x G 3/4" M	3 x G 1/2" M	3 x G 1" M	3 x G 3/4" M
Check valve and strainer	no	yes	no	yes
Kvs [m ³ /h]	1.1	0.9	1.3	1.2
Weight [kg]	0.3	0.6	0.4	0.7