

**ETT-K Heating Element, G 6/4", with thermostatic head and contactor,
3-phase, in stainless steel, fixed wiring**

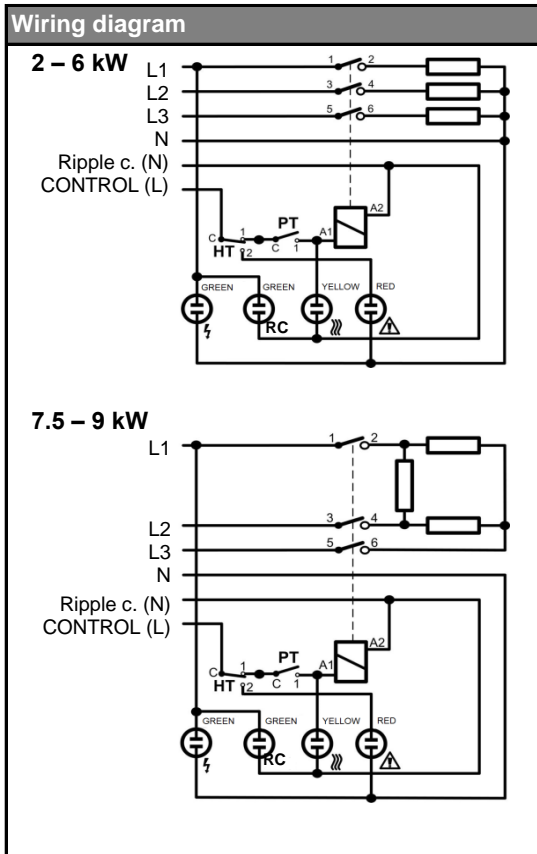


Application	
Purpose	heating of static working fluid in hot water storage tanks and Thermal Stores made of stainless steel
Working fluid*	drinking water, heating water, antifreeze fluid for heating systems and heat pumps
Installation position	horizontal, with cable gland downwards, element shall be completely immersed in working fluid

Design	
Heating element	electric, resistive, in stainless steel, thermostatic head with contactor
Connection thread	G 6/4" M
Connection to mains	cable for fixed wiring to a terminal box or fuse board

El. wiring	
Power supply voltage	3/N/PE AC 400/230 V
IP rating by EN 60529	IP 54
Protection class by EN 61140 ed.2	I

Power supply cable	
Cross section area	7x1.5 mm ²
Length	2 m
Grommet	Pg 11



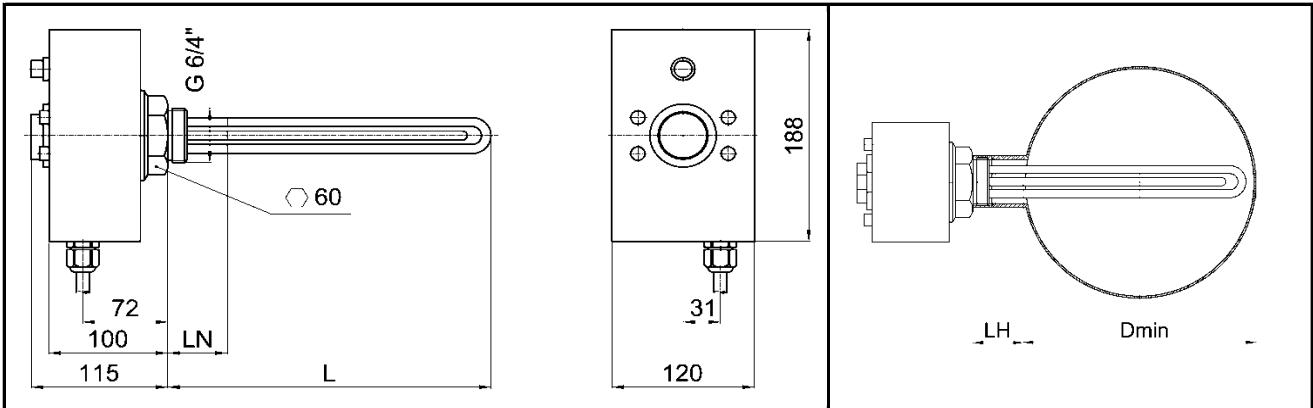
Adjustable thermostat	
Switch-over contact	16 A
Temp. adjustment range	from 0 ± 5 °C to 90 ± 3 °C
Temp. adjustment method	control knob
Switching difference	5 ± 1,5 °C
Lower limit	circa 15 °C – frost protection
Upper limit	circa 60 °C – for hot water storage tanks
<i>Both limits can be changed or eliminated completely by removing the knob.</i>	

Safety thermostat	
Switch-off temperature	99 +0/-6 °C
Reset	manual, after temperature drops below 50 °C

Contactor	
Coil voltage	AC 220 – 240 V
Frequency	50 Hz

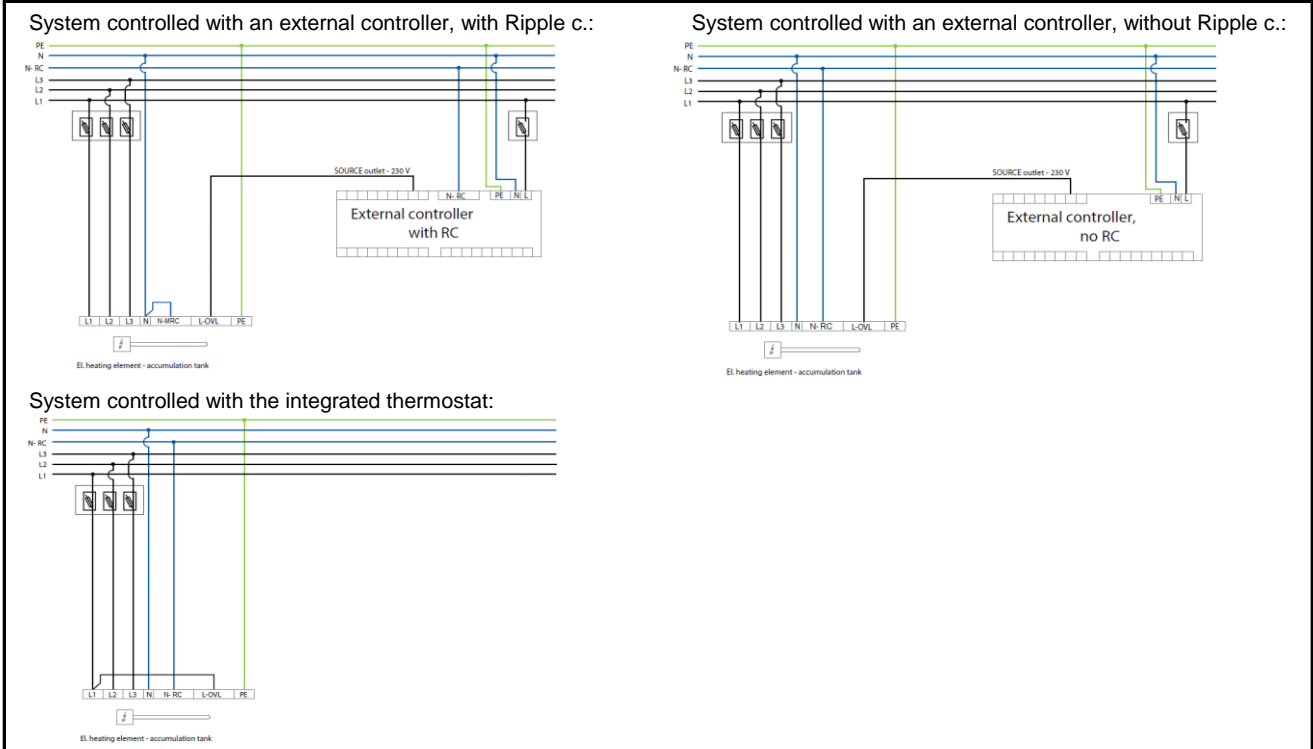
Materials	
Heating element	stainless steel
Heating element housing	aluminium alloy
Threaded hexagon	nickel-plated brass
Power supply cable	PVC

ETT-K Heating Element, G 6/4", with thermostatic head and contactor, 3-phase, in stainless steel, fixed wiring



Element type	Nominal output	Nominal current	Element length L	Non-heating end length LN	Min. tank diam. without inner heat exchanger Dmin		Code
					for LH=50mm	for LH=100mm	
ETT - K - 2,0	2.0 kW	2.9 A	225 mm	100 mm	240 mm	240 mm	14 990
ETT - K - 3,0	3.0 kW	4.3 A	285 mm	100 mm	260 mm	240 mm	14 991
ETT - K - 4,5	4.5 kW	6.5 A	383 mm	100 mm	350 mm	310 mm	14 992
ETT - K - 6,0	6.0 kW	8.7 A	478 mm	100 mm	450 mm	400 mm	14 496
ETT - K - 7,5	7.5 kW	10.8 A	570 mm	100 mm	550 mm	500 mm	14 993
ETT - K - 9,0	9.0 kW	13.0 A	665 mm	100 mm	650 mm	600 mm	14 614

Control: heating element can be controlled by Ripple control signal and/or through a heating system controller.



*** This heating element is not designed to heat other fluids than listed, nor gases or vapours. Heating fluid in direct contact with the heating element shall meet the relevant standards. Hot water composition shall not exceed the following values:**

pH	Total Dissolved Solids (TDS)	Ca	Chlorides	Na	Fe
6.5-9.5	600 mg/l	40 mg/l	100 mg/l	200 mg/l	0.2 mg/l