

CSE MIX W 1F 7,5 Pump Station

v1.0.1_10/2017



Main features	
Application	control of a solid fuel boiler return line or control to a fixed temperature of output into a mixed circuit
Description	consists of WILO Yonos Para RS 25/7.5 pump, LK 840 3-way mixing valve with AVC actuator, insulation
Working fluid	water, water-glycol mixture (max. 1:1) or water-glycerine mixture (max. 2:1)
Installation	on solid fuel boiler return pipe / flow pipe to heating circuit, min. pipe centre distance from wall is 100 mm
Installation	16 372

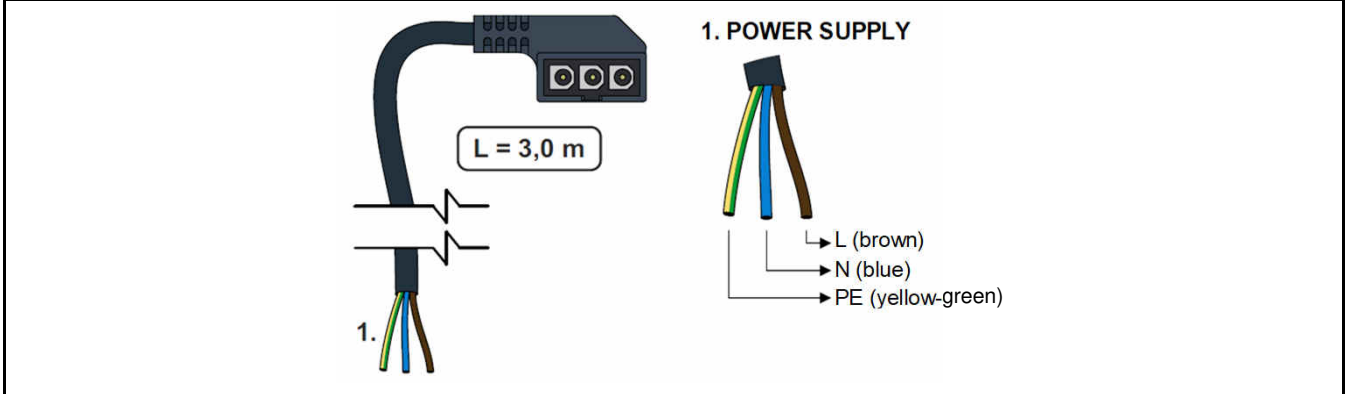
CSE MIX W 1F 7,5 Pump Station Data	
Fluid operating temp.	5 - 110 °C
Max. working pressure	6 bar
Ambient temperature	5 - 40 °C
Max. relative humidity	95 % non condensing
Power supply	230 V, 50 Hz
Insulation material	EPP RG 60 g/l
Overall dimensions	325 x 140 x 220 mm
Total weight	4,1 kg
Connection	3 x G 1" F

WILO Yonos Para RS 25/7.5 RKC 130 mm Pump Data	
Electric data	
Power supply	230 V, 50 Hz
Power input (min./max.)	4/75 W
Current (min./max)	0,04/0,66 A
IP rating	IPX4D
Max. speed	4770 rpm
Energy efficiency index	≤ 0.21 per EN 16 297/3
Motor protection	integrated

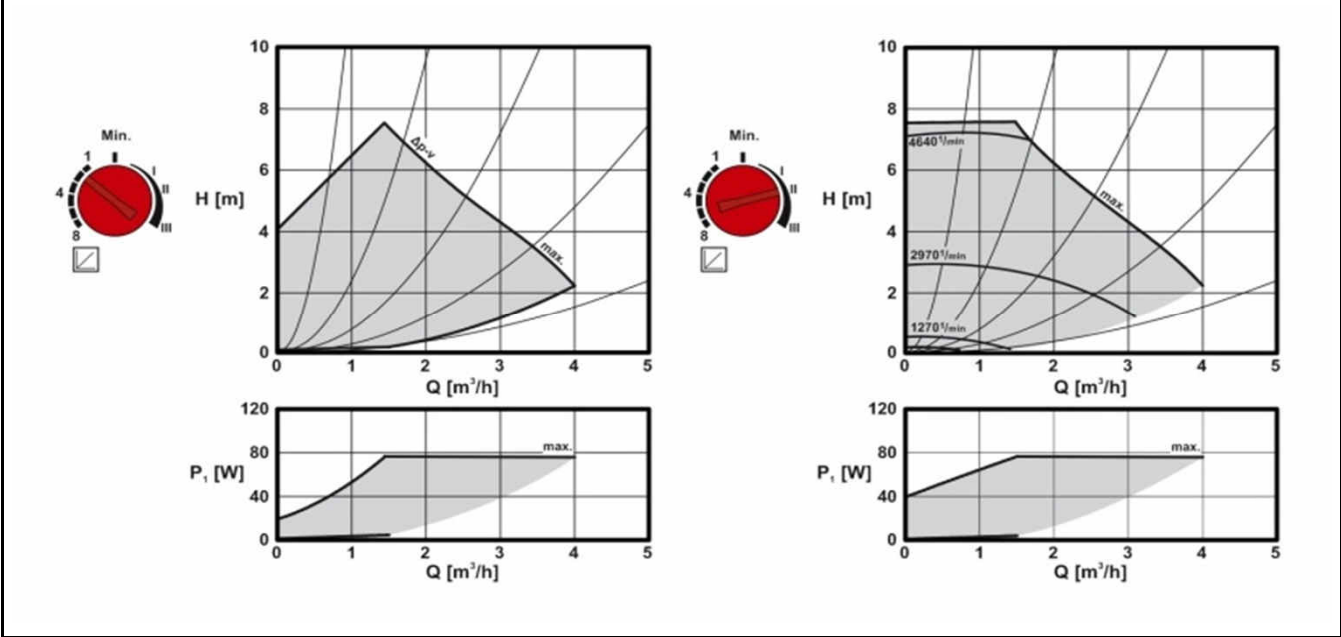
Min. pressure at pump suction port	
Min. pressures at the suction port to avoid cavitation	0,05 bar at 50 °C 0,43 bar at 95 °C

Operation data	
Fluid operating temp.	0 - 100 °C at 58 °C ambient temp.
Max. working pressure	6 bar
Max. ambient temperature	7,6 m

Connection of WILO Yonos PARA RS Pump - MOLEX connector



WILO Yonos Para RS Pump performance curves



LK 840 Mixing Valve

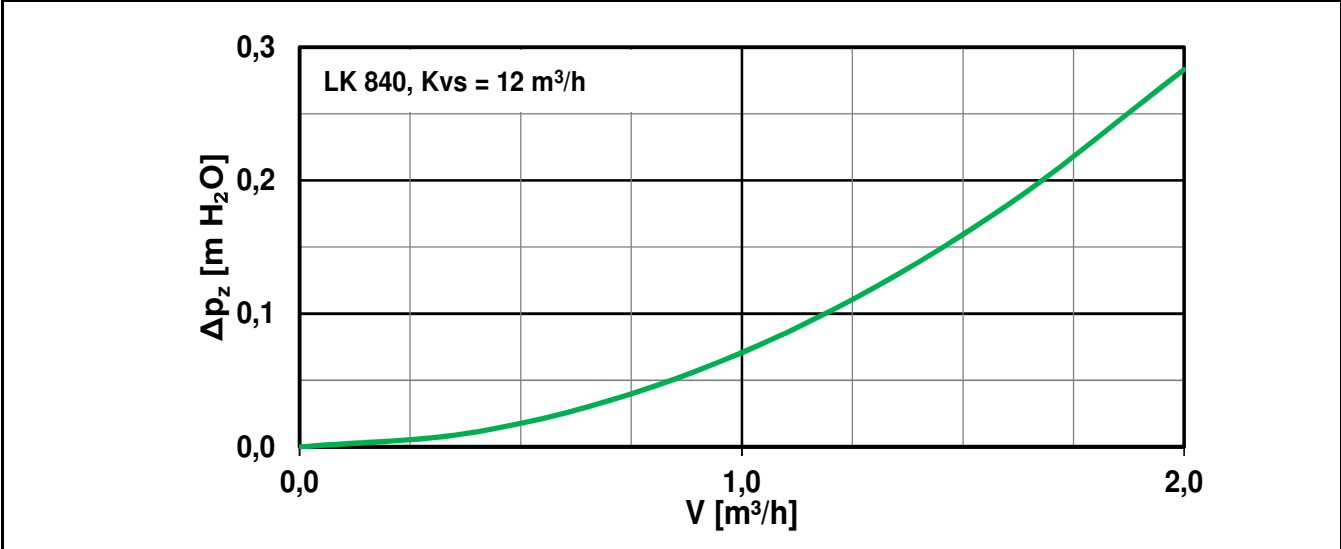
Technical data

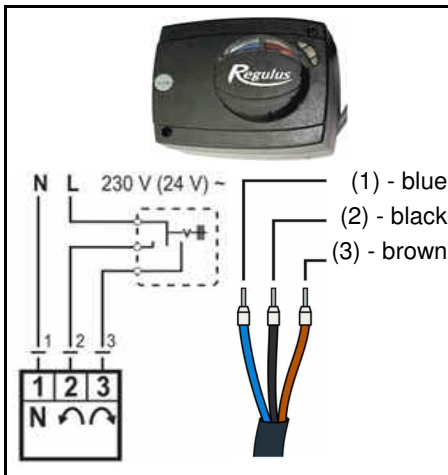
Max. working temperature	5 - 110 °C (krátkodobě 120 °C)
Max. working pressure	10 bar
Ambient working temp.	5 - 110 °C (120 °C in short term)
Valve Kvs	10 bar
Max. pressure difference	5 - 60 °C
Leakage rate	12 m³/hod
Connection	5 m H ₂ O

Materials

Body, member and spindle	0
Seal	0

Valve pressure drop diagram





AVC Actuator for Mixing Valves

Technical data

Torque	5 Nm
Angle of rotation	90°
Shift time	5 Nm
Control	90°
Auxiliary switch	120 s
Power supply	3-point
Max. power input	no
IP rating	230 V AC
Protection class	2,5 VA
Ambient temperature	IP42
Cable (cross-section - length)	II per EN 60730-1