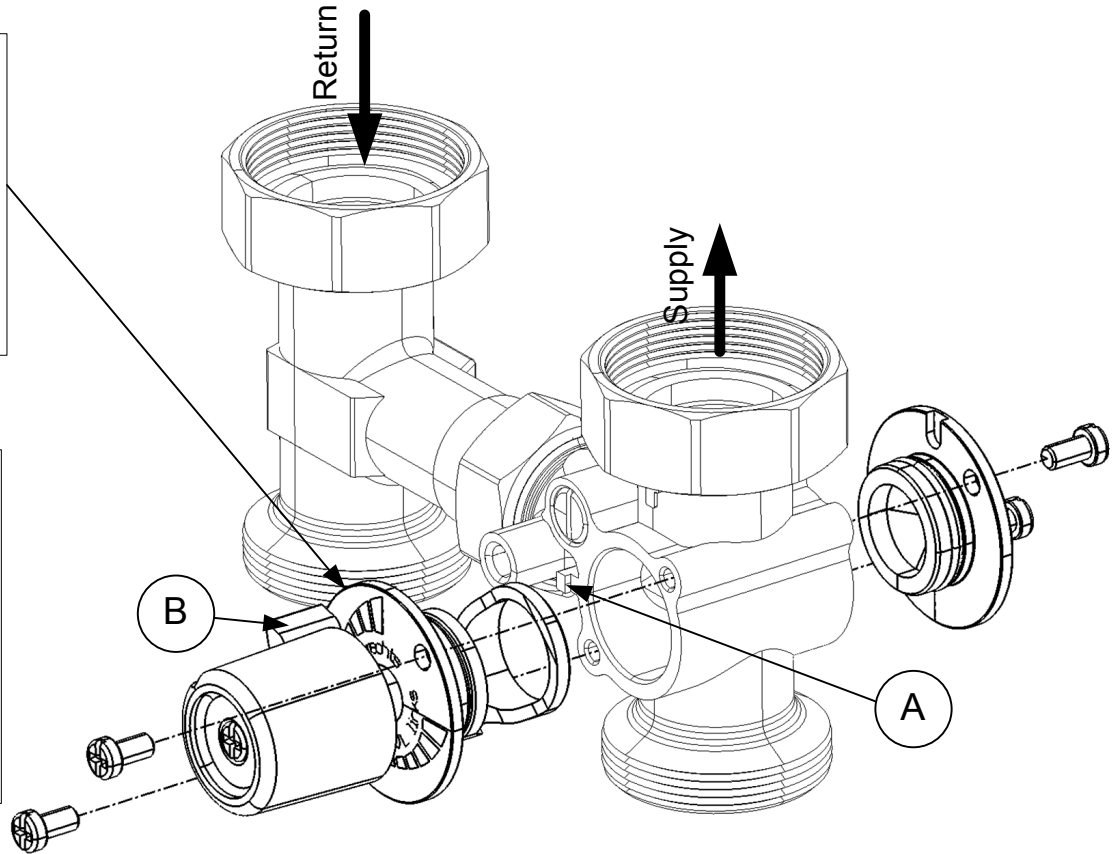
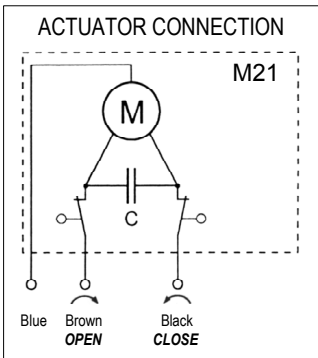
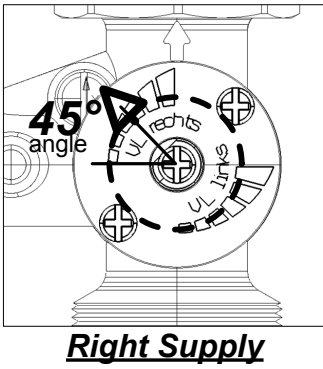
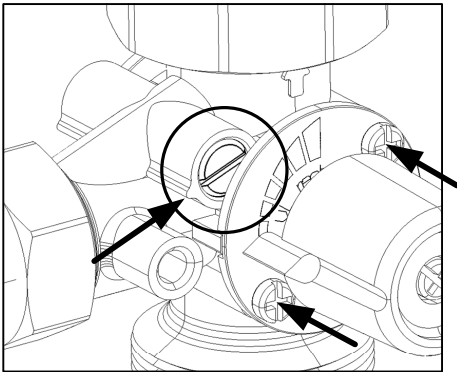


Code 10483 - 3-way Mixing Valve with By-Pass



3-way Mixing Valve with inside By-Pass (Particularly suitable for the underfloor heating installations)

BY-PASS Setting directions



Arrows show the reference indicator for the By-pass in the fully open position and the screw that locks the cover-handle and the rod.

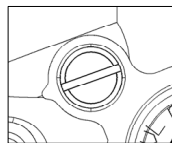
To set the recycling flow the rod can be turned both clockwise and anticlockwise indifferently. The drive is the same on both the sides of the mixing valve (links or rechts).

The By-pass integrated into the 3-way Mixing Valve ensures a recycling inside the system, even if the mixing valve is fully open. By means of the By-pass the mixing of a percentage of the water can be set in a fixed way (max. 50% of the total flow), should the quantity of the water flowing through the mixing valve is not sufficient.

Therefore, in case of a bad working of the system that causes an increase of the temperature of the installation, the recycling through the by-pass helps to reduce the temperature of the water of the underfloor installation thanks to the mixing of the return circuit lukewarm water together with the supply circuit hot water, reducing the eventual damages.

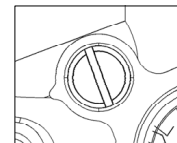
Setting position of the By-pass:

- (1) - Unscrew the cover handle to unlock the rod (the arrows show the screws).
- (2) - Select the position of the rod:



The By-pass is fully open and it allows the recycling of the 50% of the total flow.

- (3) - Screw the cover-handle to lock the rod.



The By-pass is fully closed and there is no recycling.