

Stainless-steel expansion vessels / water
hammer arrestors
- AB line



- AB line

hammer arrestors

Stainless-steel expansion vessels / water



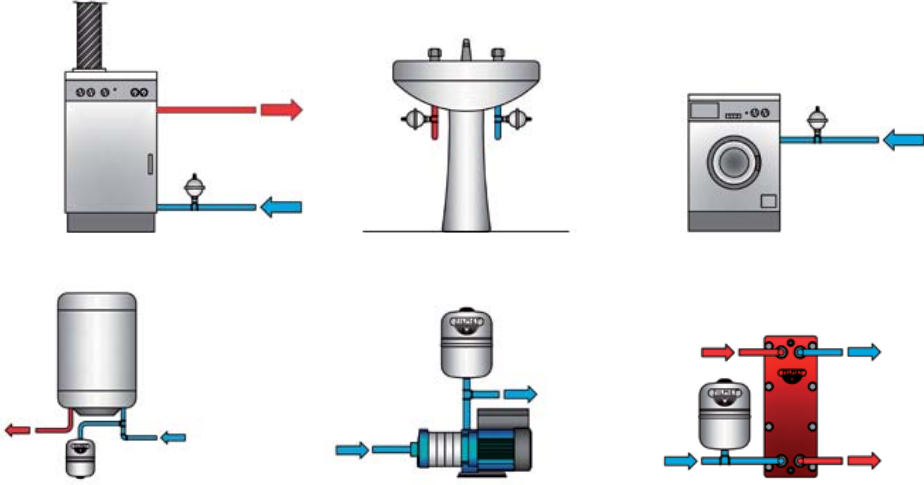
Main advantages:

Stainless-steel vessel with Butyl membrane intended for potable water
 Long service life
 Safe to health
 PED 97/23/CE certified
 Preset pressure
 Operating temperature -10 to +99 °C

Data chart:

Code	Type	Model	Volume [l]	Diameter [mm]	Height [mm]	Connection	Preset pressure [bar]	Max. working pressure [bar]
11474	AB 0.16 INOX	IN LINE	0,16	82	72	1/4"	3,5	15
11475	AB 0.5 INOX	IN LINE	0,5	94	119	1/2"	3,5	10
11476	AB 1 INOX	IN LINE	1	116	155	1/2"	3,5	10
11477	AB 2 INOX	IN LINE	2	140	1/2"	3,5	10	

Typical installations:



- with boilers - with pumps to prevent water hammer
- to compensate for water volume expansion in DHW heating appliances
- for any garden sprinkler with low-flow pump
- for efficient prevention of water hammer in pipes, suppression of vibrations, occurrence of negative pressure and noise

07/2012



REGULUS spol. s r.o.
 Do Koutů 1897/3
 143 00 Praha 4
 CZECH REPUBLIC

<http://www.regulus.eu>
 E-mail: sales@regulus.cz

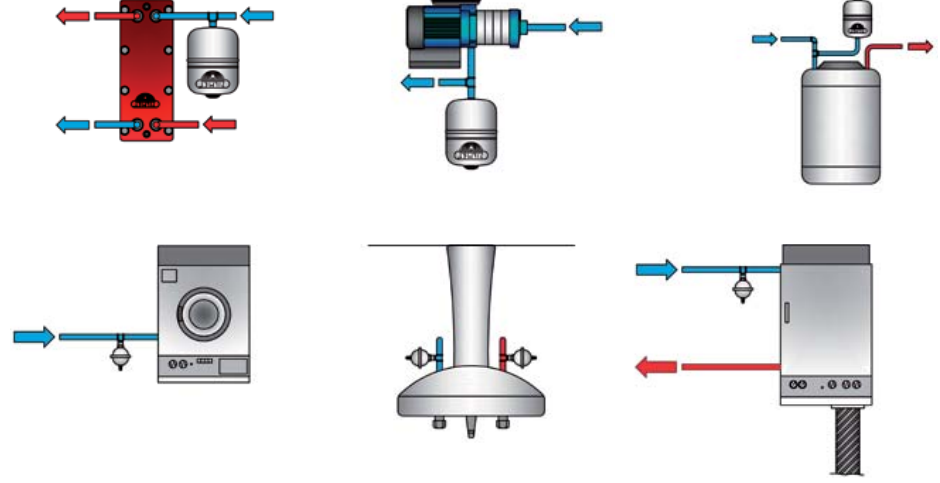
Main advantages:

Stainless-steel vessel with Butyl membrane intended for potable water
 Long service life
 Safe to health
 PED 97/23/CE certified
 Preset pressure
 Operating temperature -10 to +99 °C

Data chart:

Code	Type	Model	Volume [l]	Diameter [mm]	Height [mm]	Connection	Preset pressure [bar]	Max. working pressure [bar]
11474	AB 0.16 INOX	IN LINE	0,16	82	72	1/4"	3,5	15
11475	AB 0.5 INOX	IN LINE	0,5	94	119	1/2"	3,5	10
11476	AB 1 INOX	IN LINE	1	116	155	1/2"	3,5	10
11477	AB 2 INOX	IN LINE	2	140	196	1/2"	3,5	10

Typical installations:



- with boilers - with pumps to prevent water hammer
- to compensate for water volume expansion in DHW heating appliances
- for any garden sprinkler with low-flow pump
- for efficient prevention of water hammer in pipes, suppression of vibrations, occurrence of negative pressure and noise

07/2012

REGULUS spol. s r.o.
 Do Koutů 1897/3
 143 00 Praha 4
 CZECH REPUBLIC
<http://www.regulus.eu>
 E-mail: sales@regulus.cz

