

THREE-WAY ZONE VALVES

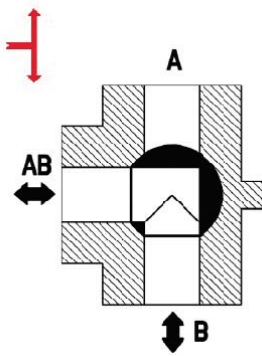
VZU R Three-way Zone Ball Valve

Zone ball valves intended for heating or solar thermal systems with water or antifreeze fluid and for drinking water systems.

The valve is equipped with a **two-point control actuator (SPST)**. The actuator can be removed without disassembling the valve. The valve must not be installed in a position with the actuator facing down.

A working neutral, a permanent phase and a control phase must be supplied to the valve. Without the control phase, the outlet B is open, after the control phase is applied, the outlet A opens. The order of outlets opening and the direction of actuator rotation can be changed. Opening time is 60s or 15s.

The valve can be adjusted manually by turning the lever (after switching to manual control mode).



TECHNICAL DATA

MAX. WORKING PRESSURE	10 bar
MAX. PRESSURE DIFFERENCE	10 bar
FLUID WORKING TEMPERATURE	up to 110 °C

MATERIALS

VALVE HOUSING	CW617N
VALVE SPINDLE	nickel-plated brass
VALVE BALL	chrome-plated brass
O-RINGS	EPDM, FPM
POWER CABLE	PVC

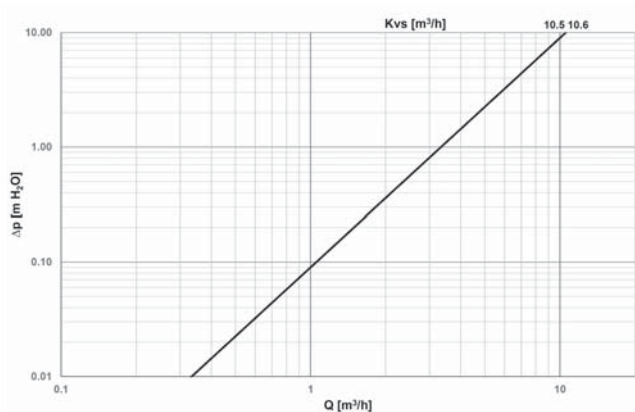
ACTUATOR

POWER SUPPLY	230 V 50 Hz
MAX. CONSUMPTION	4VA
CURRENT	17 mA
IP RATING BY EN 60529	IP 42
PROTECTION CLASS BY EN 61140 ed.2	II

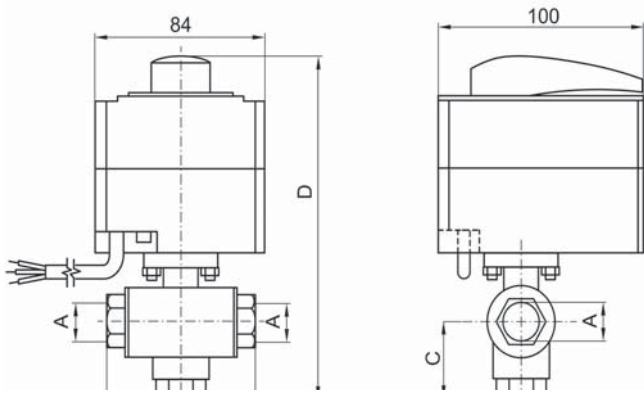
POWER CABLE

CROSS SECTION	3× 0.5 mm ²
LENGTH	2m

VALVE PRESSURE DROP



DIMENSIONS AND TYPES



		VZU R 320 60 3/4F	VZU R 320 15 3/4F	VZU R 320 60 1F	VZU R 320 15 1F	VZU R 320 60 5/4F	VZU R 320 15 5/4F
CONNECTIONS	--	3/4" F	3/4" F	1" F	1" F	5/4" F	5/4" F
B	mm	96	96	96	96	116	116
C	mm	50	50	50	50	60	60
D	mm	186	186	186	186	196	196
WEIGHT	kg	1.3	1.3	1.3	1.3	1.3	1.3
NOMINAL DIAMETER	DN	20	20	20	20	20	20
KVS	m ³ /h	10.5	10.5	10.6	10.6	10.6	10.6
SHIFT TIME	s	60	15	60	15	60	15
CODE	--	19986	20461	19982	20017	19989	20462

ELECTRICAL WIRING

