

# G 6/4" ELECTRIC HEATING ELEMENTS with thermostatic head

Output: 2 - 6 kW  
Application: thermal stores and hot water tanks (suitable for PV)



## ETT-U Electric Heating Elements

**Nickel-plated** electric resistance heating elements **with thermostatic head, no contactor**, intended for heating of static or flowing heating water or antifreeze fluid in thermal stores or **drinking water in hot water tanks**. These elements are not intended for stainless steel tanks. They are suitable for **utilizing electricity surplus from PV systems**.

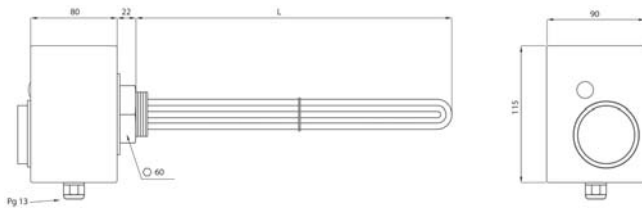
They are designed to be installed in a horizontal position so that the element is completely immersed in the working fluid, with the cable gland downwards. They are wired to the mains by a fixed connection of the 5-wire cable (7-wire cable for code 20219) to a terminal box or switchboard.

The elements feature a longer non-heating end (dimension LN) that permits their use for Thermal Stores with DHW.

## TECHNICAL DATA

HEATING ELEMENT	nickel-plated copper
CONNECTION	G 6/4" M
HEXAGON WITH G 6/4" THREAD	nickel-plated brass
CASE	plastic
POWER SUPPLY	230V 50 Hz
IP RATING	IP 54
PROTECTION CLASS BY EN 61140 ed.2	I
<b>OPERATING THERMOSTAT</b>	capillary type, adjustable
SWITCH-OVER CONTACT	20 A
TEMPERATURE ADJUSTMENT RANGE	from 15 °C to 80 °C
TEMPERATURE ADJUSTMENT METHOD	rotating knob
SWITCHING DIFFERENCE	5 ± 1.5 °C
<b>SAFETY THERMOSTAT</b>	capillary type, fixed setting
SWITCH OFF TEMPERATURE	99 +0/-6 °C
RESET	manual, after temperature drops by 10 K min.

## DIMENSIONS, MODELS

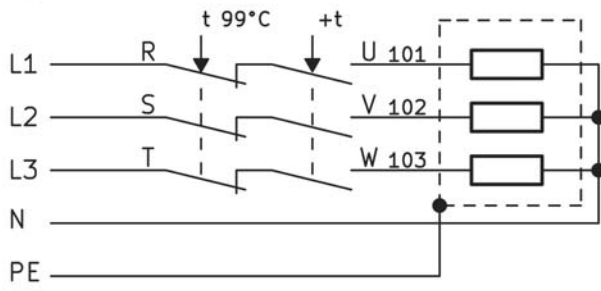


MODEL		ETT-U 2.0	ETT-U 3.0	ETT-U 5.0	ETT-U 6.0
NOMINAL OUTPUT	kW	2.0	3.0	5.0	6.0
MAX. CURRENT	A	20	20	20	20
POWER CABLE	-	5x1.5	5x2.5	5x2.5	7x1.5
ELEMENT LENGTH (L)	mm	295	295	360	485
NON-HEATING END LENGTH (LN)	mm	180	180	180	180
CODE	--	20214	20220	20216	20219

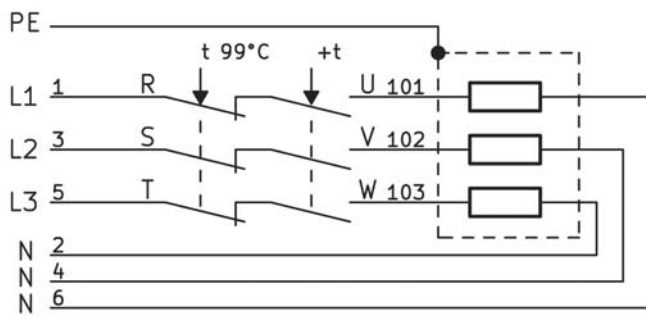
## ELECTRIC WIRING

3/N/PE AC 230V

2 to 5 kW



6 kW



### POWER CABLE

CROSS SECTION

see table of models

LENGTH

2m

CABLE GLAND

Pg13