

G 6/4" ELECTRIC HEATING ELEMENTS with thermostatic head and contactor

Output: 3 - 5 kW
Application: hot water storage tanks, thermal stores



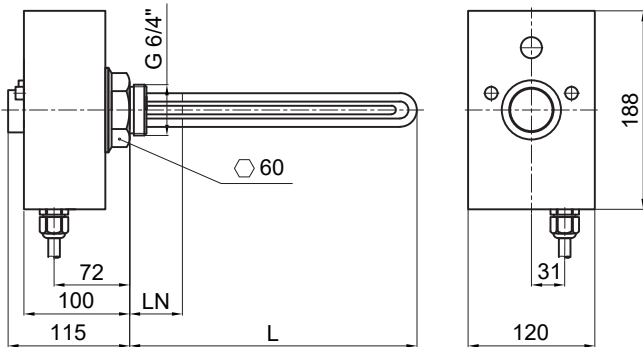
ETT-F2 Electric Heating Elements

Nickel-plated resistance heating elements **with a thermostatic head and contactor**, intended for heating of static heating water or antifreeze fluid in thermal stores or for drinking water heating in hot water storage tanks. A heating element designed **to use electricity from PV panels**.

They are designed to be installed in a horizontal position so that the element is completely immersed, the cable gland downwards. They are power supplied by a 7-core cable wired to a terminal box or fuse board.

The heating element features one input for a Ripple control signal and one for master heating system controller.

DIMENSIONS, MODELS



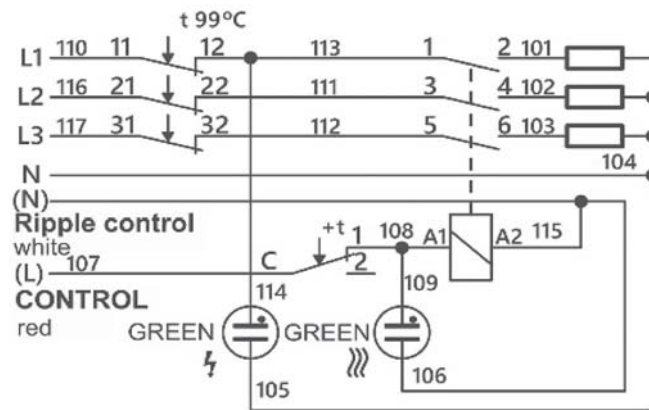
MODEL		ETT-F2 3	ETT-F2 5
NOMINAL OUTPUT	kW	3.0	5
NOMINAL CURRENT	A	4.3	6.5
ELEMENT LENGTH (L)	mm	370	500
NON-HEATING END LENGTH (LN)	mm	180	180
CODE	--	20232	20234

TECHNICAL DATA

HEATING ELEMENT CONNECTION	nickel plated copper G 6/4" M
HEXAGON WITH G 6/4" THREAD	nickel plated brass
CASE	aluminum alloy
POWER SUPPLY	230V 50 Hz
IP RATING	IP 54
PROTECTION CLASS BY EN 61140 ed.2	I
OPERATING THERMOSTAT	capillary type, adjustable
SWITCH-OVER CONTACT	16 A
TEMPERATURE ADJUSTMENT RANGE	from 0 ± 5 °C to 90 ± 3 °C
TEMPERATURE ADJUSTMENT METHOD	rotating knob
SWITCHING DIFFERENCE	5 ± 1.5 °C
LOWER LIMIT	about 15 °C - frost protection
SAFETY THERMOSTAT	capillary type, fixed setting
SWITCHING TEMP.	99 +0/-6 °C
RESET	manual, after temperature drops below 80 °C
CONTACTOR	AC1 : 20 A / 690 V, 1Z
COIL VOLTAGE	AC 220 - 240 V
FREQUENCY	50 Hz

ELECTRIC WIRING

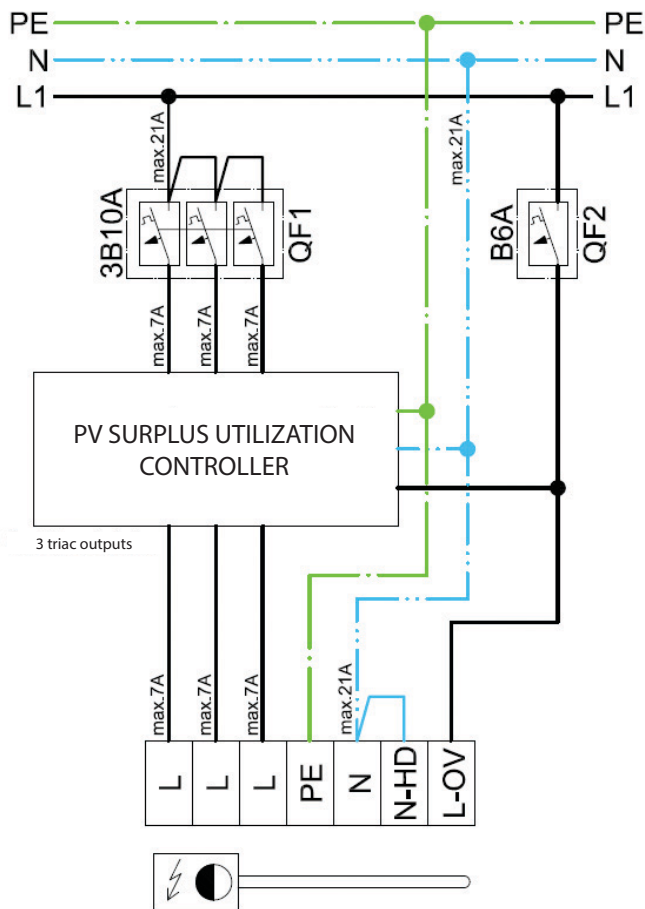
3/N/PE AC 400/230 V



POWER CABLE

CROSS SECTION	7 × 2.5 mm ²
LENGTH	2 m
CABLE GLAND	Pg16

WIRING EXAMPLES



- Heating element is heating
- Heating element is OK, power supplied and ready for use.