

## DATA SHEET

### 3-way Zone Ball Valves with Manual Control, VZK M model



#### Main Features

Application	Three-way zone ball valve with manual control.
Working fluid	Drinking water, water, water-glycol (max. 1:1) or water-glycerine (max. 2:1).
Installation	Any position, except for the lever facing downwards.

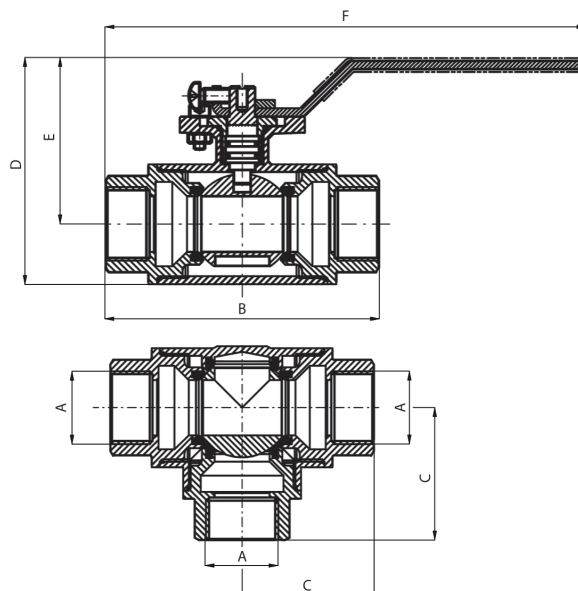
#### Table of Codes – L-bore Valves

Marking	Code	Nominal clearance DN	Connecting thread	$K_{vs}$ straight [m <sup>3</sup> /h]	$K_{vs}$ angled [m <sup>3</sup> /h]	Weight [kg]	A	B [mm]	C [mm]	D [mm]	E [mm]	F [mm]
VZK M 320 L 3/4F	19841	20	3xG3/4"F	-	10.5	0.8	G3/4"F	96	50	80	59	168
VZK M 320 L 1F	19832	20	3xG1"F	-	10.6	0.8	G1"F	96	50	80	59	168
VZK M 325 L 1F	18860	25	3xG1"F	-	14.3	1.2	G1"F	104	52	90	64	174
VZK M 325 L 5/4F	18864	25	3xG5/4"F	-	14.3	1.2	G5/4"F	104	52	90	64	174
VZK M 325 L 6/4M	19002	25	3xG6/4"M	-	14.3	1.3	G6/4"M	128	64	90	64	184

#### Table of Codes – T-bore Valves

Marking	Code	Nominal clearance DN	Connecting thread	$K_{vs}$ straight [m <sup>3</sup> /h]	$K_{vs}$ angled [m <sup>3</sup> /h]	Weight [kg]	A	B [mm]	C [mm]	D [mm]	E [mm]	F [mm]
VZK M 320 T 3/4F	19839	20	3xG3/4"F	17.8	10.5	0.8	G3/4"F	96	50	80	59	168
VZK M 320 T 1F	19834	20	3xG1"F	19.5	10.6	0.8	G1"F	96	50	80	59	168
VZK M 325 T 1F	18865	25	3xG1"F	28.3	14.3	1.2	G1"F	104	52	90	64	174
VZK M 325 T 5/4F	18867	25	3xG5/4"F	28.3	14.3	1.2	G5/4"F	104	52	90	64	174
VZK M 325 T 6/4M	19004	25	3xG6/4"M	28.3	14.3	1.3	G6/4"M	128	64	90	64	184

#### Dimensions



#### Technical Data

Max. working pressure	10 bar
Max. fluid working temperature	110 °C
Angle of rotation	90°
Ambient working temperature	5 °C to 40 °C
Max. pressure difference	10 bar

## DATA SHEET

### 3-way Zone Ball Valves with Manual Control, VZK M model

#### Materials

Valve housing and spindle	CW617N
Valve ball	chrome-plated brass
O-rings	EPDM, FPM
Seal	PTFE

#### Installation and Operation

- Fluid can flow in either direction through the valve (the common port can be used as an inlet or outlet).
- The valve lever handle can be repositioned by 90 deg.
- The valve is fitted with an ISO 5211 flange, permitting connection of and control by an actuator.

