

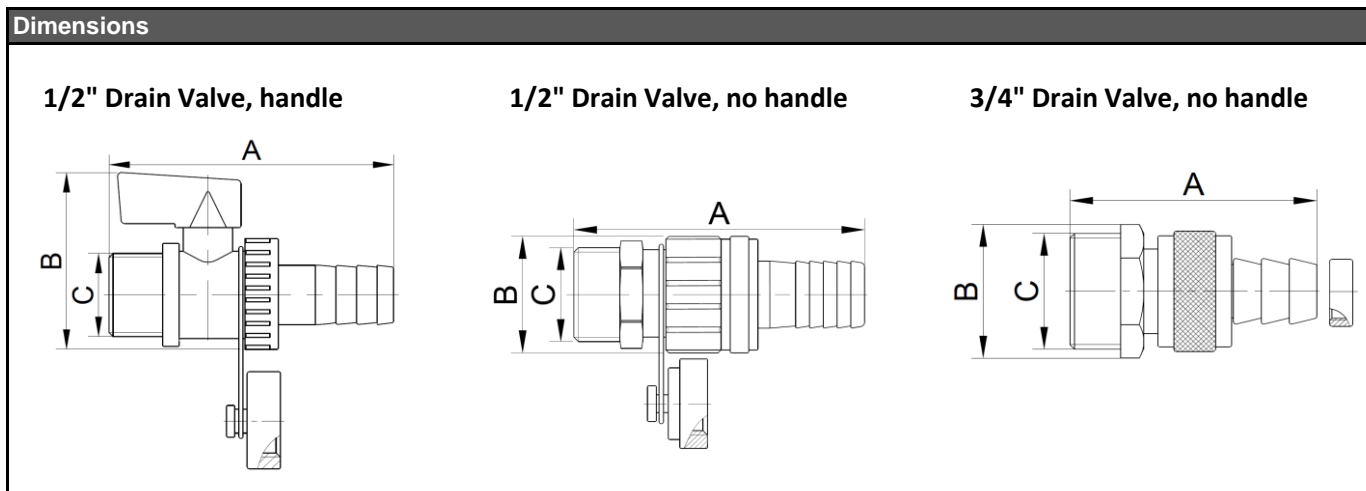
Drain Valves



Main features	
Application	cold and hot water distribution systems
Purpose	filling and draining water pipes
Working fluid	water
Installation	position securing unrestricted access to the valve and complete draining of system

Item	Max. pressure	Max.working temper.	Connection
1/2" Drain Valve with handle	10 bar	110 °C	1/2" M
1/2" Drain Valve, no handle	16 bar	110 °C	1/2" M
3/4" Drain Valve, no handle	10 bar	110 °C	3/4" M

Materials	
Valve housing	brass, nickel plated
Valve seat	brass



Item	Dimensions [mm]			Weight [g]	Codes
	A	B	C		
1/2" Drain Valve with handle	67	44	1/2"	105	4741
1/2" Drain Valve, no handle	63	25	1/2"	120	15609
3/4" Drain Valve, no handle	53	27	3/4"	80	11714