


DATA SHEET

PS 2000 N25 Thermal Store

	Main Features	
	Application	Storage and subsequent distribution of thermal energy from solid-fuel boilers, heat pumps or other heat sources. It is fitted with G 2,5" F threaded tappings.
	Working fluid	water, water-glycol mixture (max. 1:1), water-glycerine mixture (max. 2:1), thermal oil
	Storage tank code	19370
	Insulation code	19372

Energy Efficiency Data (as per EC Regulation No. 812/2013)

	valid for a tank with insulation
Energy efficiency class	N/A
Static loss	189 W
Storage volume	2007 l

Technical data

Total storage tank volume	1250 l
Max. working temperature in storage tank	95 °C
Max. working pressure in storage tank	3 bar
Storage tank diameter	1250 mm
Storage tank diameter with insulation	1450 mm
Storage tank overall height	1955 mm
Tipping height without insulation	2055 mm
Storage tank perimeter insulation thickness	100 mm
Storage tank bottom insulation thickness	50 mm
Storage tank top insulation thickness	100 mm
Empty weight without insulation	218 kg

Materials

Storage tank material	S235JR
Storage tank perimeter insulation	fleece
Storage tank outer surface insulation	hard polystyrene
Top and bottom storage tank insulation	fleece

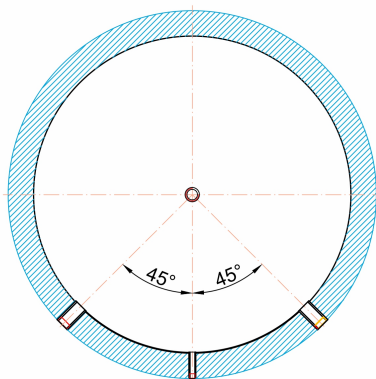
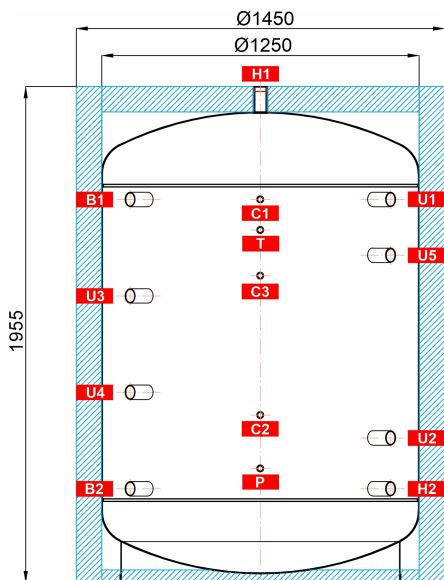
Accessories

Electrical heating element	ETT-A, C, D, F, P, M
Heating element max. length	955 mm

For the electric heater, a G 2.5" M x G 6/4" F reducer must be used

PS 2000 N25 Thermal Store

Dimensions



TAPPINGS

pos.	description	connection	height [mm]
------	-------------	------------	-------------

Heat sources

B1	Supply from heat source	G 2.5" F	1498
B2	Return to heat source	G 2.5" F	390

Heating system

H1	Supply to heat sink	G 2.5" F	1955
H2	Return from heat sink	G 2.5" F	390

Control and safety

C1	Temperature sensor	G 1/2" F	1510
C2	Temperature sensor	G 1/2" F	450
C3	Temperature sensor	G 1/2" F	1390
T	Thermometer	G 1/2" F	1210
P	Safety valve	G 1/2" F	660

Universal inlet/outlet

U1	Universal inlet/outlet	G 2.5" F	1498
U2	Universal inlet/outlet	G 2.5" F	582
U3	Universal inlet/outlet	G 2.5" F	1130
U4	Universal inlet/outlet	G 2.5" F	750
U5	Universal inlet/outlet	G 2.5" F	1278