

DATA SHEET

Concentric Flue Pipes, Polypropylene, diam. 80/125

Main Features

Application	Discharge of flue gas from condensing gas boilers.
Description	Concentric flue pipe system where flue gas passes through the inner polypropylene pipe and combustion air is sucked through the outer lacquered metal pipe.
Transported medium	Flue gas up to 120 °C, air.
Certification	EN 14471:2013

Technical Data

Inner pipe material	polypropylen
Inner pipe diameter	80 mm
Outer pipe material	steel, white lacquer (if not stated otherwise for a specific part)
Outer pipe diameter	125 mm
Gasket material	EPDM

Extensions

3D model (250 mm long)

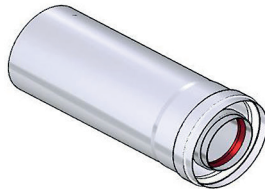
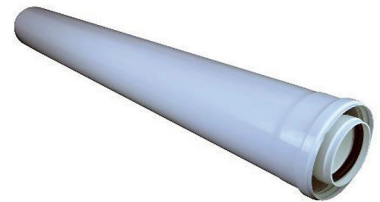
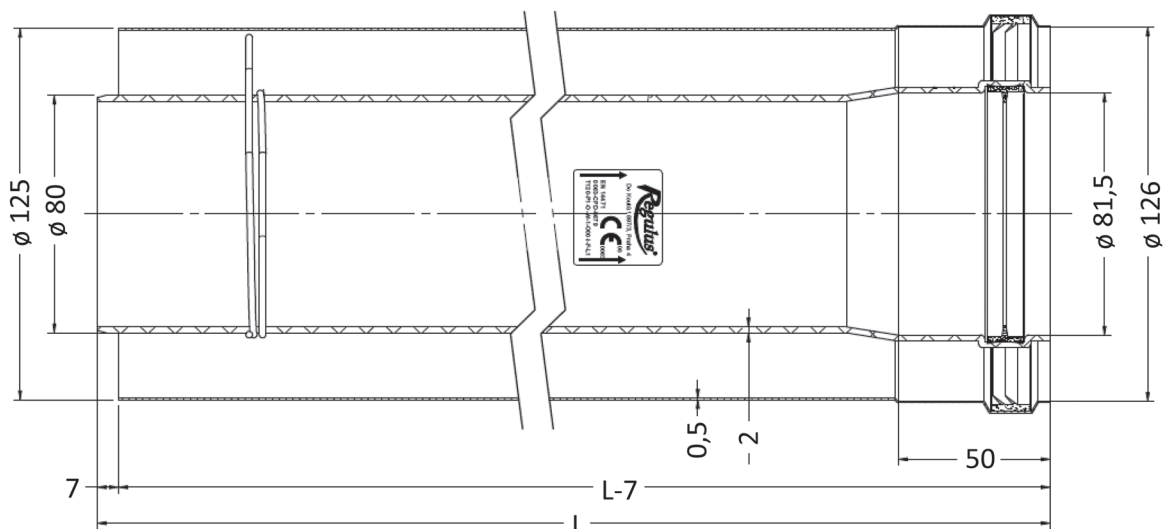


Photo (1000 mm long)



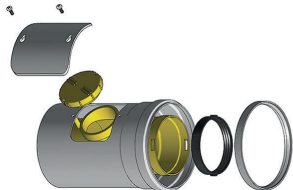
Codes	Marking	Length (dimension L)
9598	A2010038	250 mm
4675	A2010057	500 mm
7004	A2010058	1000 mm
8513	A2010041	1930 mm

Dimensions

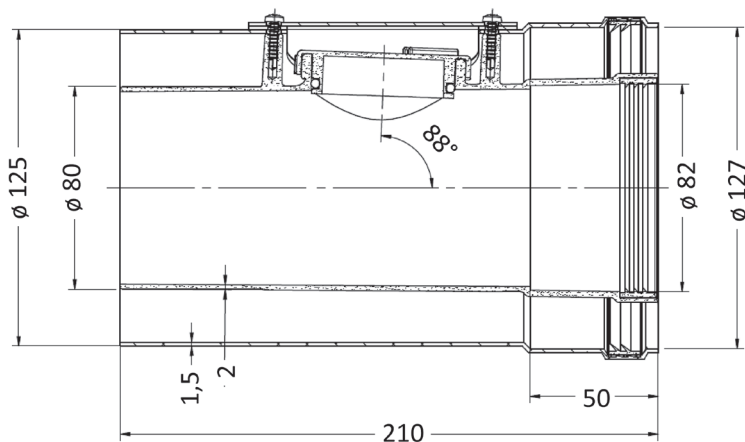


DATA SHEET
Concentric Flue Pipes, Polypropylene, diam. 80/125
Adapter with Inspection Door

3D model



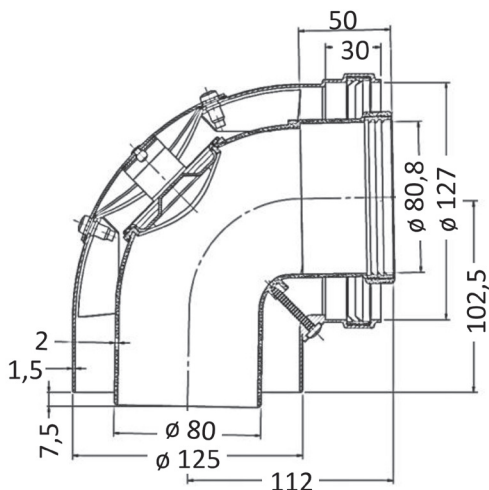
Photo


Code
11265
Marking
A2006086
Dimensions

90° Elbow with Inspection Door

3D model



Photo


Code
7648
Marking
A2010069
Dimensions


DATA SHEET

Concentric Flue Pipes, Polypropylene, diam. 80/125

90° Elbow with Test Points

3D model



Photo



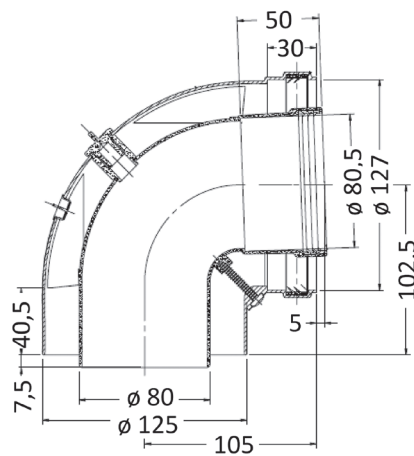
Code

7649

Marking

A2006108

Dimensions



90° Elbow

3D model



Photo



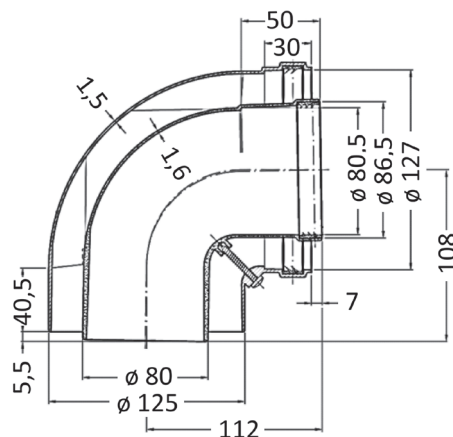
Code

4676

Marking

A2010067

Dimensions



DATA SHEET

Concentric Flue Pipes, Polypropylene, diam. 80/125

45° Elbow

3D model

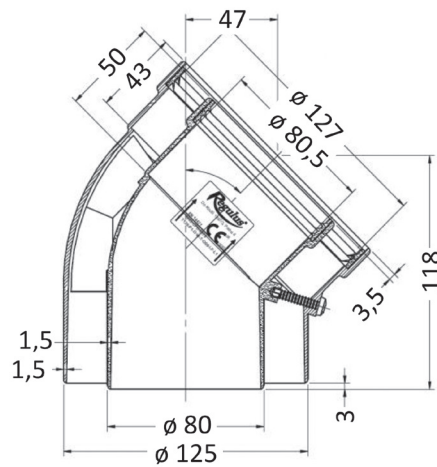


Photo


Code
Marking
6432
A2010068

outer pipe material – cast aluminium

Dimensions



Boiler Adapter w. Test Points (60/100–80/125)

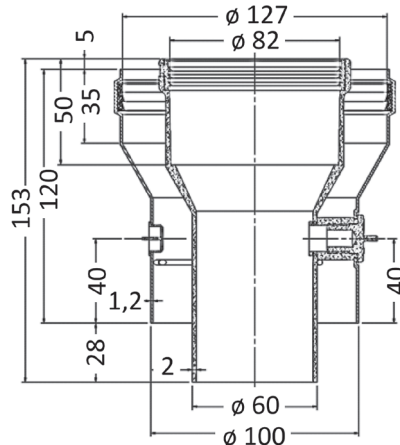
3D model



Photo


Code
Marking
7806
A2006069

Dimensions



DATA SHEET

Concentric Flue Pipes, Polypropylene, diam. 80/125

Boiler Adapter with Sleeve (60/100–80/125)

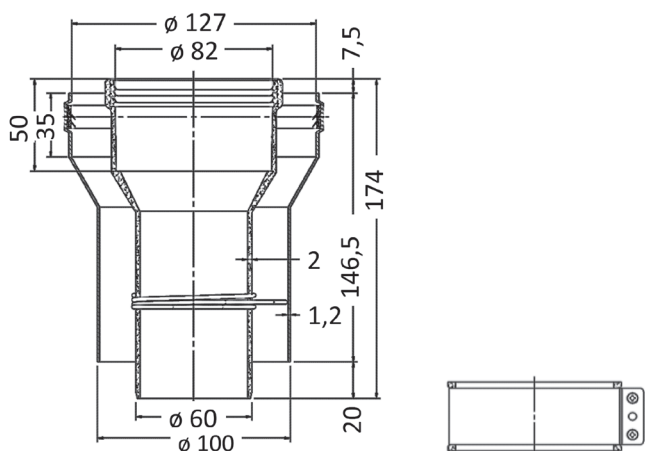
3D model



Photo

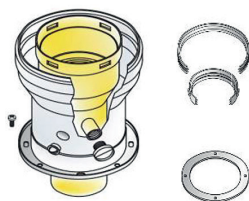

Code
Marking
7808
A2006070

Dimensions



Flange with Test Points (60/100–80/125)

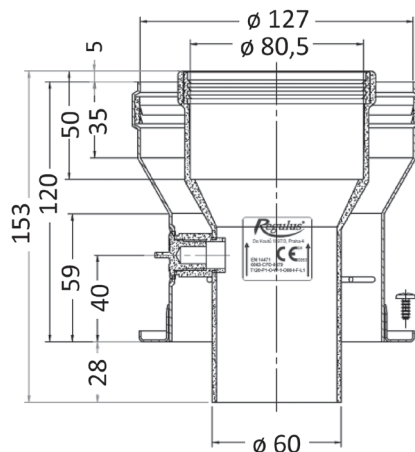
3D model



Photo


Code
Marking
4678
A2006010

Dimensions

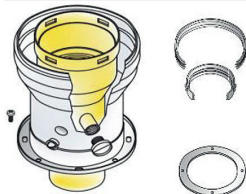


DATA SHEET

Concentric Flue Pipes, Polypropylene, diam. 80/125

Flange with Test Points (80/105–80/125)

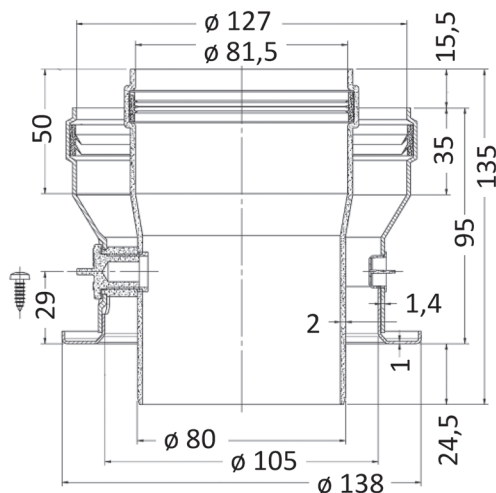
3D model



Photo


Code
7468
Marking
A2006025

Dimensions



Wall Collars

3D model

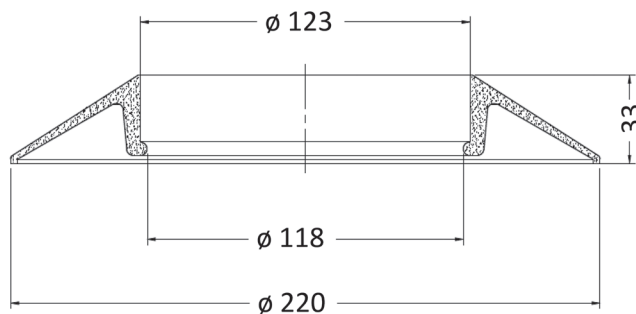


Photo


Code
3776
Marking
A1018112
Position

Inner and outer

Dimensions



DATA SHEET

Concentric Flue Pipes, Polypropylene, diam. 80/125

Gaskets

3D model



7449

4668

Photo



13047

7449

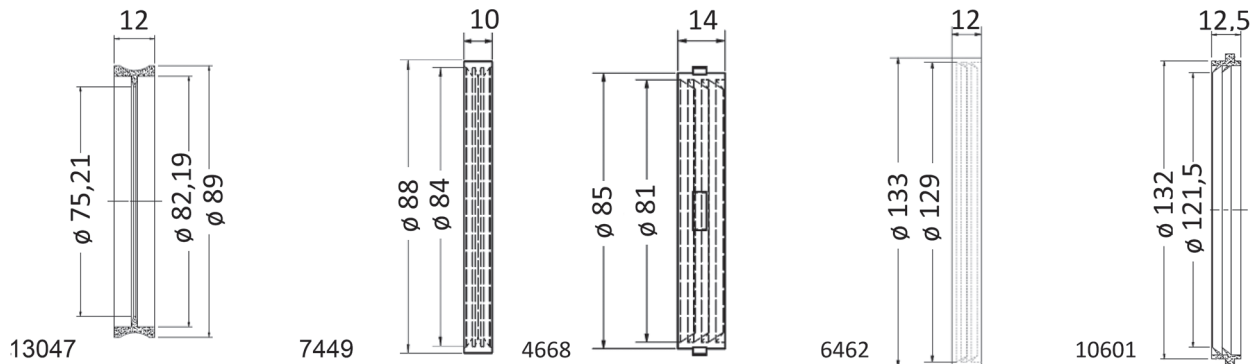
4668

6462

10601

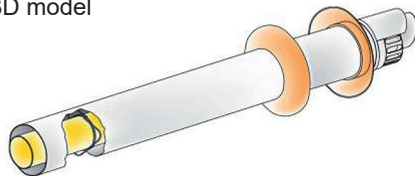
Codes	Marking	Diameter	Specification
13047	MGN08014	80 mm	1 lip
7449	A1011883	80 mm	3 lips
4668	A1011501	80 mm	3 lips, with teeth
6462	A1018041	125 mm	2 lips, grey silicone
10601	A1018071	125 mm	2 lips, grey silicone, with teeth

Dimensions

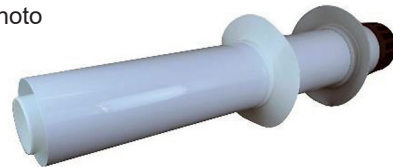


Horizontal Flue Terminal

3D model

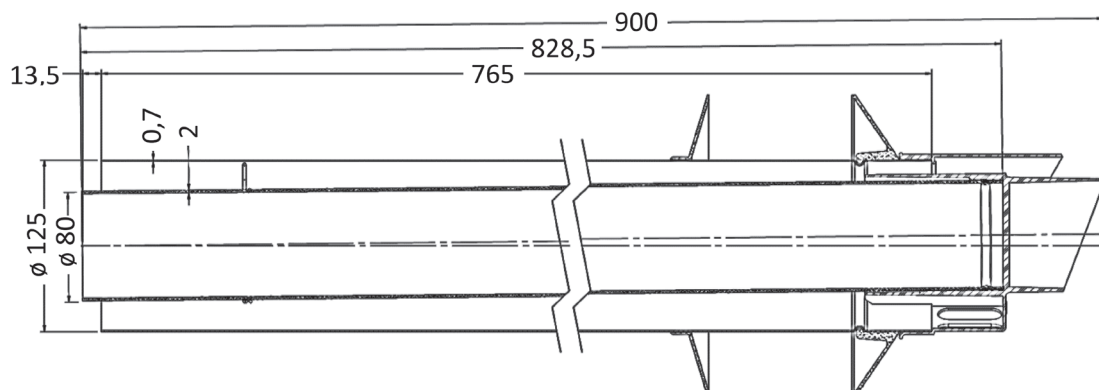


Photo



Code	Marking
7003	A2010012

Dimensions



DATA SHEET

Concentric Flue Pipes, Polypropylene, diam. 80/125

Vertical Flue Terminals

3D model



Photo


Codes
Marking
Colour
11255
A5023166

black

11256
A6023166

red

Dimensions

