

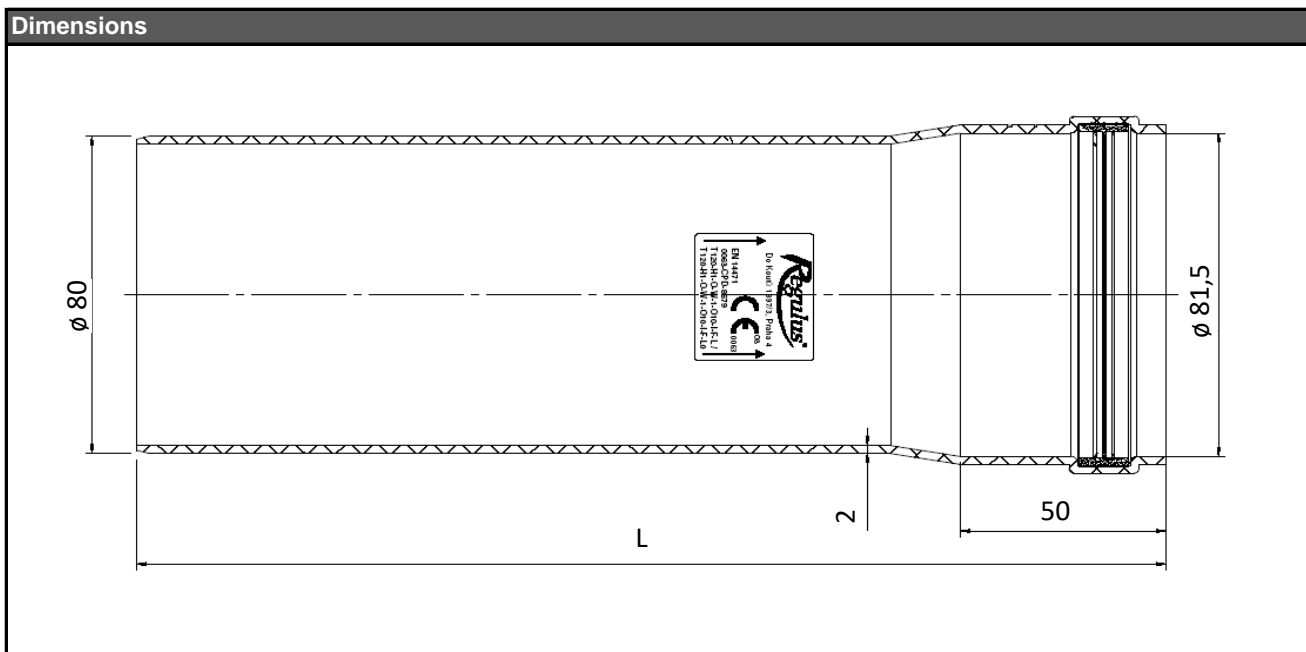
Twin Flue Pipe System, Polypropylene, diam. 80

Main features	
Application	discharge of flue gas from condensing gas boilers
Description	flue pipe system with separate air intake and flue gas outlet through a polypropylene pipe
Transported medium	flue gas up to 120 °C, air
Certification	EN 14471:2013

Technical Data	
Pipe material	polypropylene
Pipe diameter	80 mm
Gasket material	EPDM

Extension	
3D model (250 mm long)	Photo (1000 mm long)

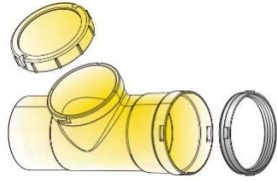
Codes	Marking	Length (dimension L)	Colour	Pozn.
7469	BB011136	110 mm	white	
9600	BB011004	250 mm	white	
4666	BB011005	500 mm	white	
6141	BB011006	1000 mm	white	
7885	BB011061	2000 mm	white	
13902	BN011005	500 mm	black	UV resistant
13903	BN011006	1000 mm	black	UV resistant
13904	BN011061	2000 mm	black	UV resistant



Twin Flue Pipe System, Polypropylene, diam. 80

Adapter with Inspection Door

3D model



Photo



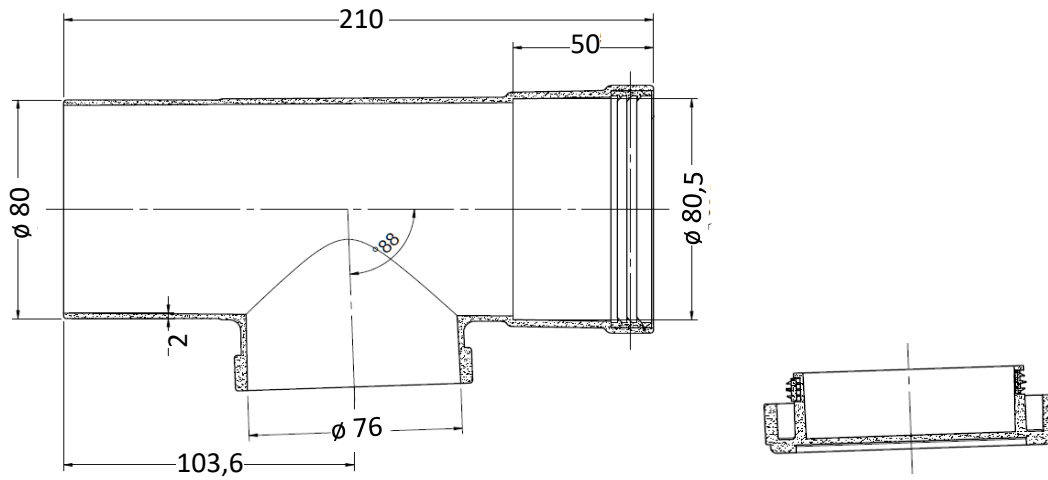
Code

Marking

11511

BB011094

Dimensions



90° Elbow with Inspection Door

3D model



Photo



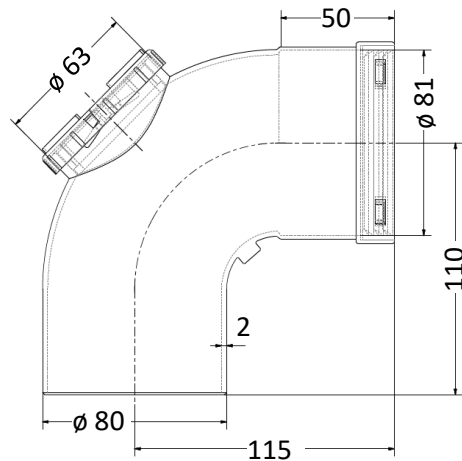
Code

Marking

12755

BB011374

Dimensions



Twin Flue Pipe System, Polypropylene, diam. 80

90° Elbow with Test Points

3D model



Photo



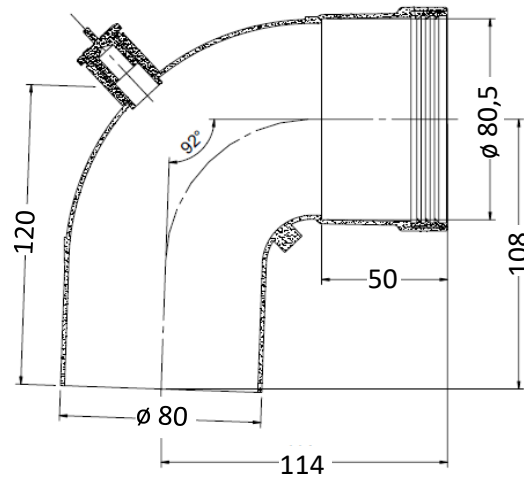
Code

7652

Marking

BB011373

Dimensions



90° Elbow

3D model



Photo



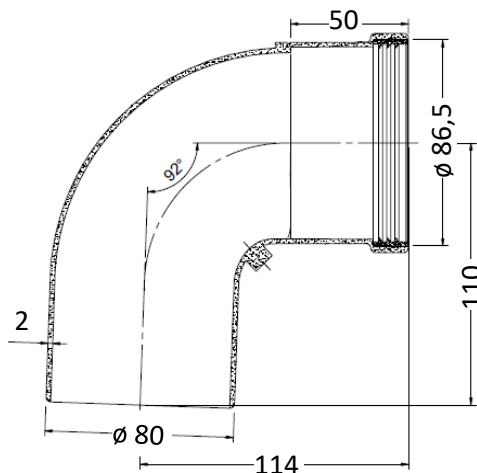
Code

6143

Marking

BB011371

Dimensions



Twin Flue Pipe System, Polypropylene, diam. 80

45° Elbow

3D model



Photo



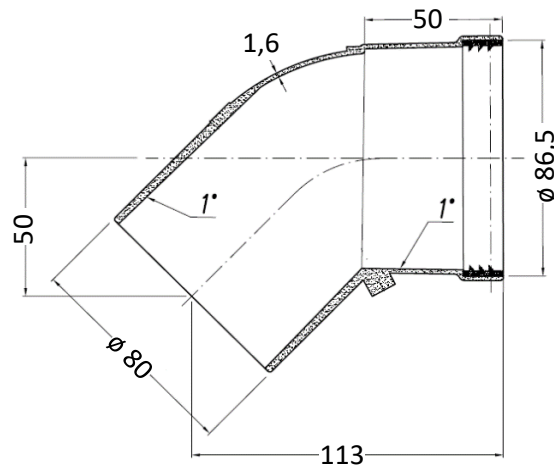
Code

6142

Marking

BB011372

Dimensions



Flanged Boiler Adapter - 60/100 inlet - 80 outlet

3D model



Photo



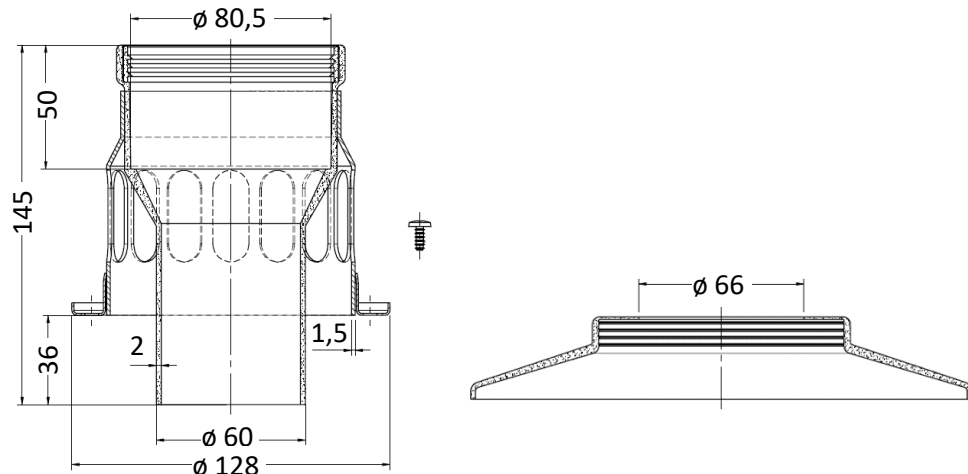
Code

7471

Marking

A2002044

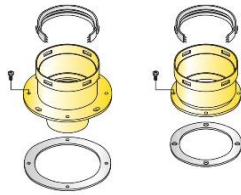
Dimensions



Twin Flue Pipe System, Polypropylene, diam. 80

Intake and Outlet Flanges

3D model



Photo



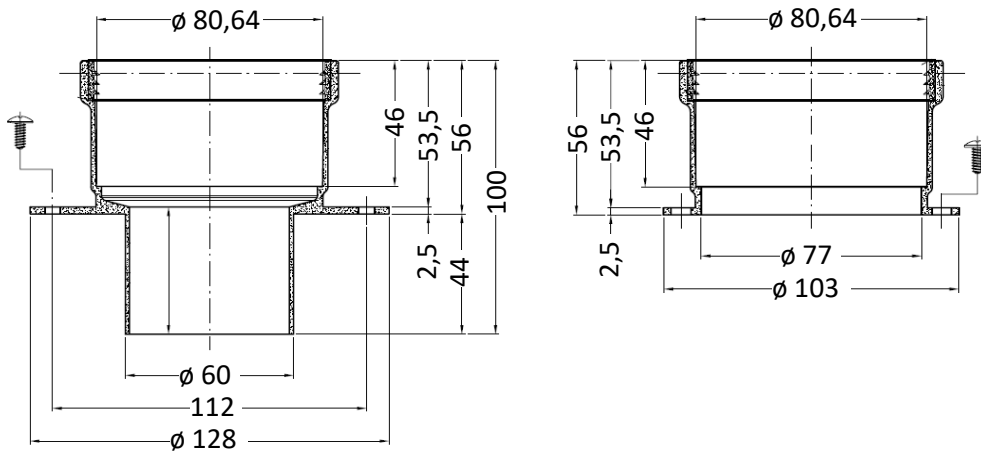
Code

Marking

6383

BB011053

Dimensions



Twin Flue Adapter - 80/125 intake - 80 outlet

3D model



Photo



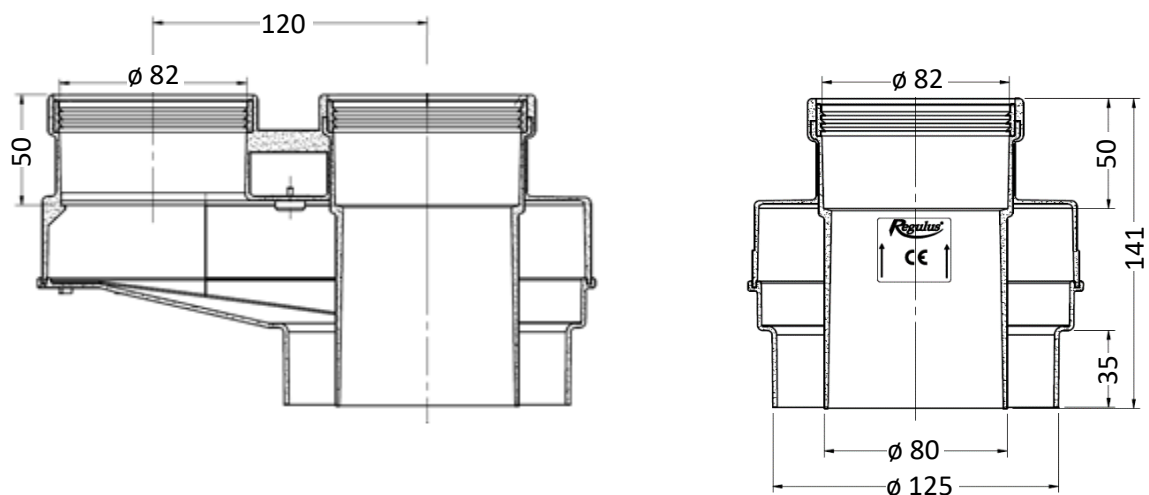
Code

Marking

12110

BB011486

Dimensions



Twin Flue Pipe System, Polypropylene, diam. 80

Twin Flue Adapter with Sleeve - 60/100 intake - 80 outlet

3D model



Photo



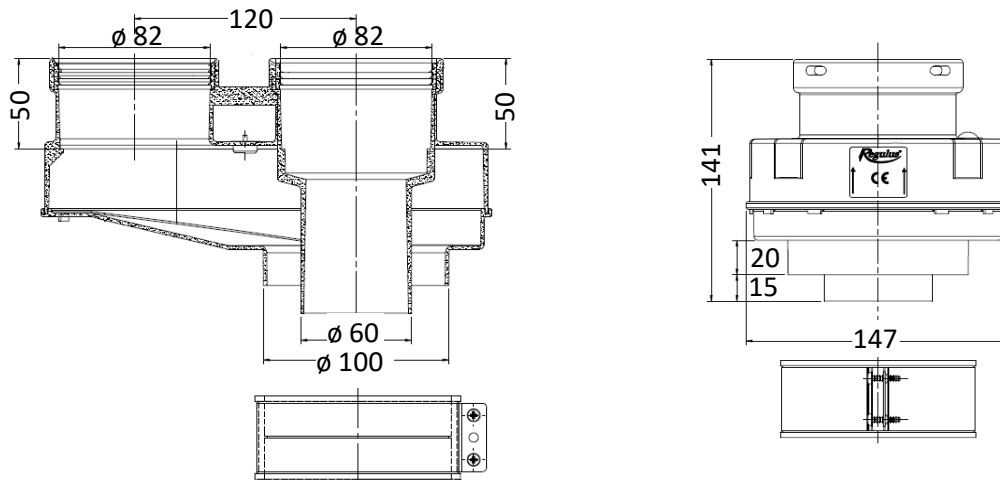
Code

12111

Marking

BB011475

Dimensions



Twin Flue Adapter w. Test Points - 60/100 intake - 80 outlet

3D model



Photo



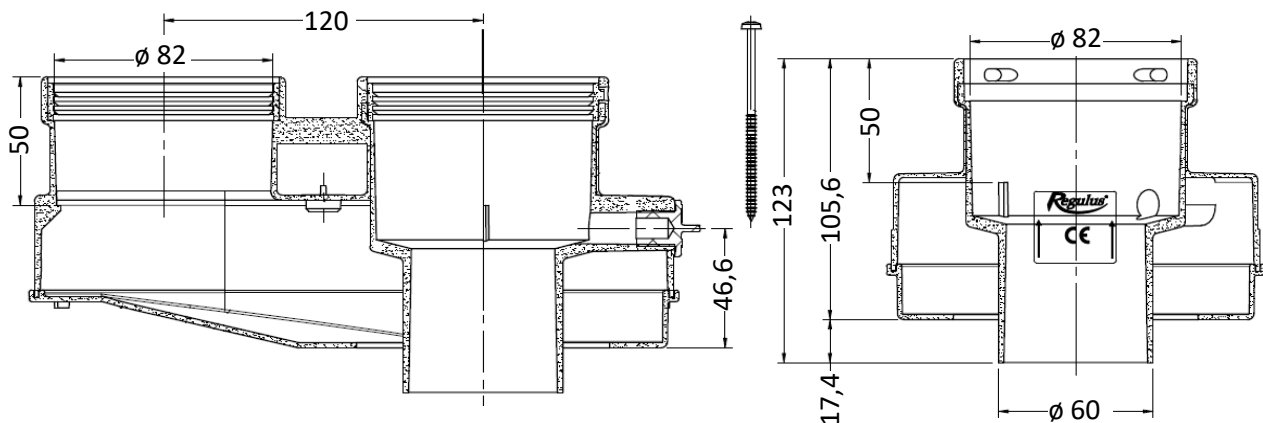
Code

12109

Marking

BB011474

Dimensions



Twin Flue Pipe System, Polypropylene, diam. 80

Chimney Elbow with Support

3D model



Photo



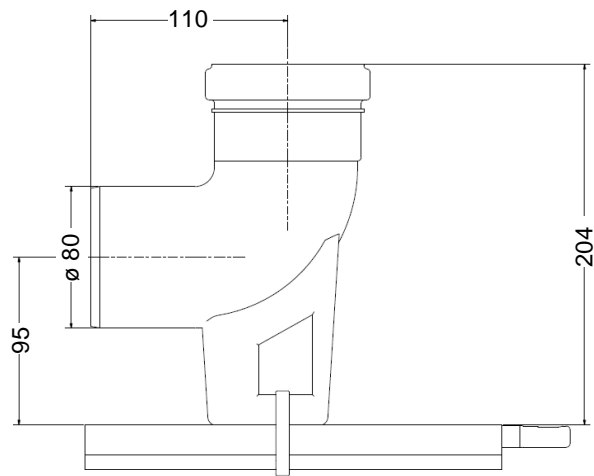
Code

11954

Marking

A1012121

Dimensions



Chimney T-piece, condensate trap, incl. support

3D model



Photo



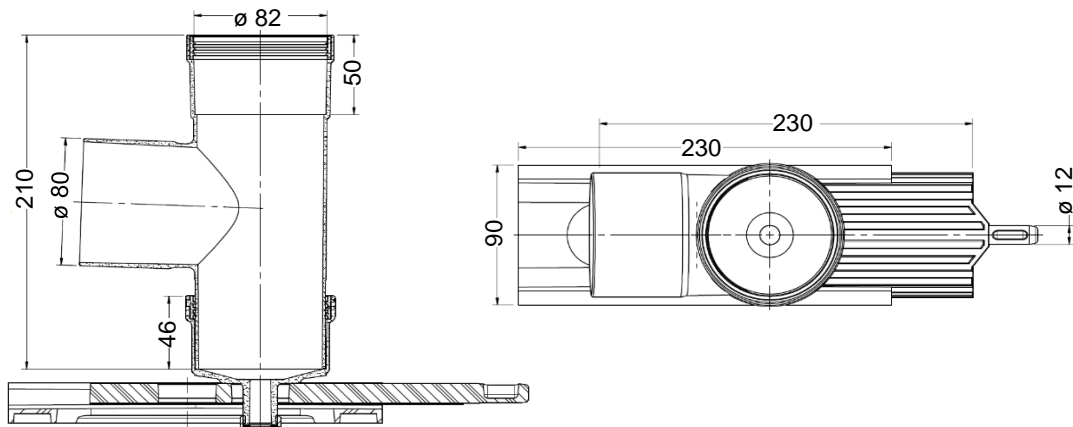
Code

11955

Marking

A1012097

Dimensions



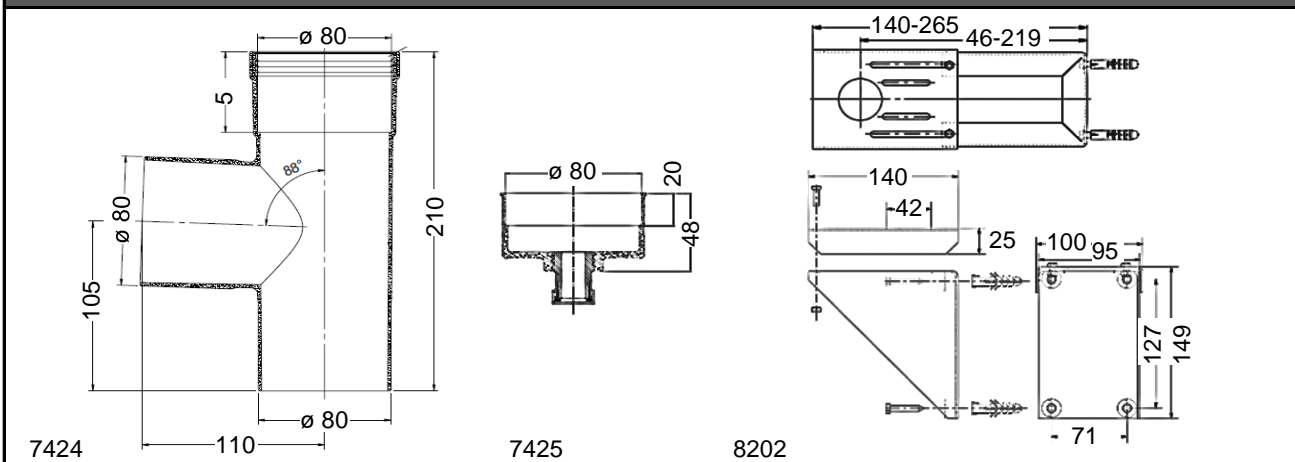
Twin Flue Pipe System, Polypropylene, diam. 80

Chimney T-piece, condensate trap, incl. support (separate)



Codes	Marking	
7424	BB011093	T-piece
7425	A1012064	Condensate trap
8202	A5012034	Support

Dimensions

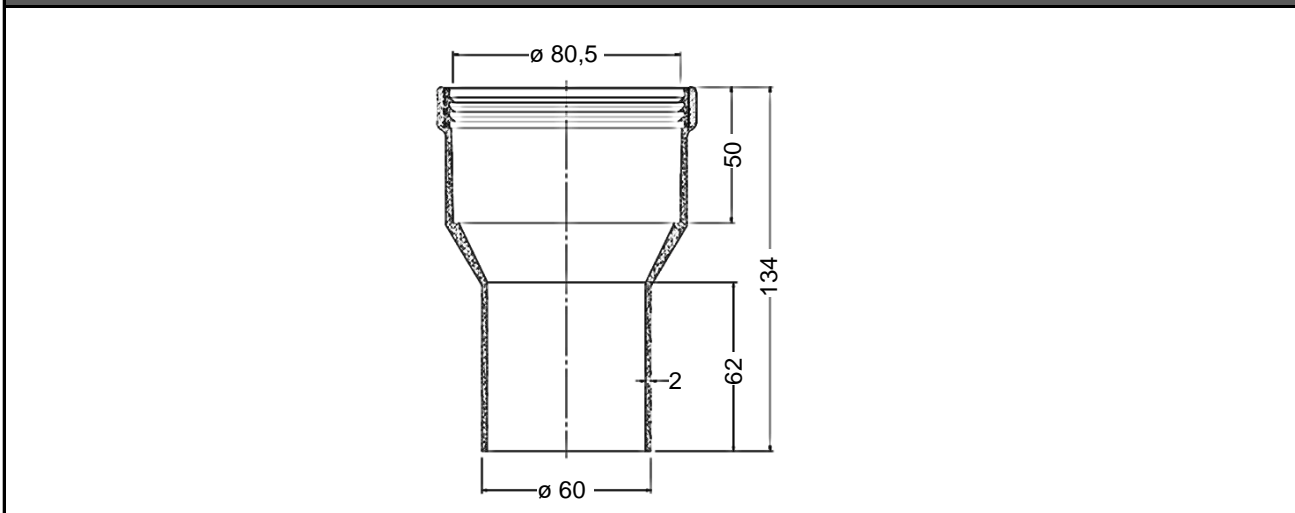


Adapter 60 M / 80 F



Code	Marking
7943	BB011012

Dimensions



Twin Flue Pipe System, Polypropylene, diam. 80

Eccentric Flue Adapter, 60 M / 80 F

3D model



Photo



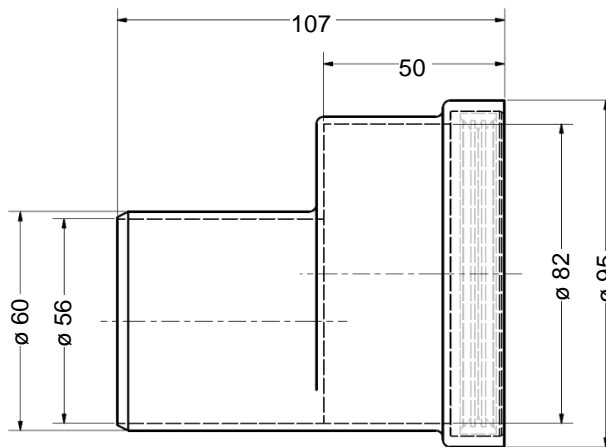
Code

16023

Marking

BB011519

Dimensions



Wall Collars

3D model



1020

1021

Photo



1020

1021

Codes

1020

Marking

A1011403

Position

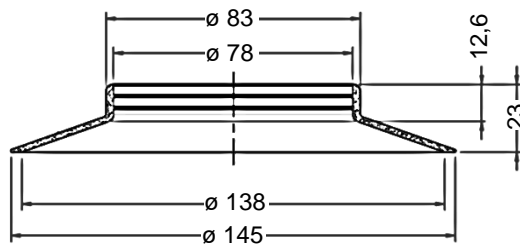
Inner

1021

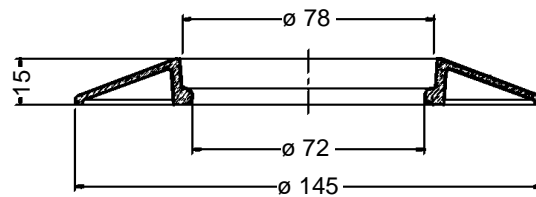
A1011408

Outer

Dimensions



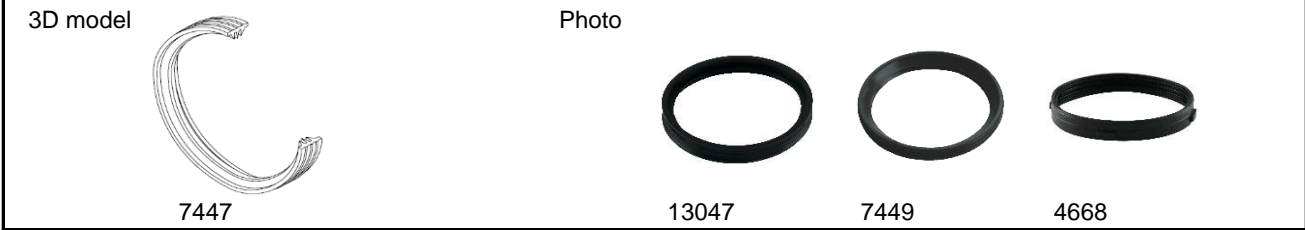
1020



1021

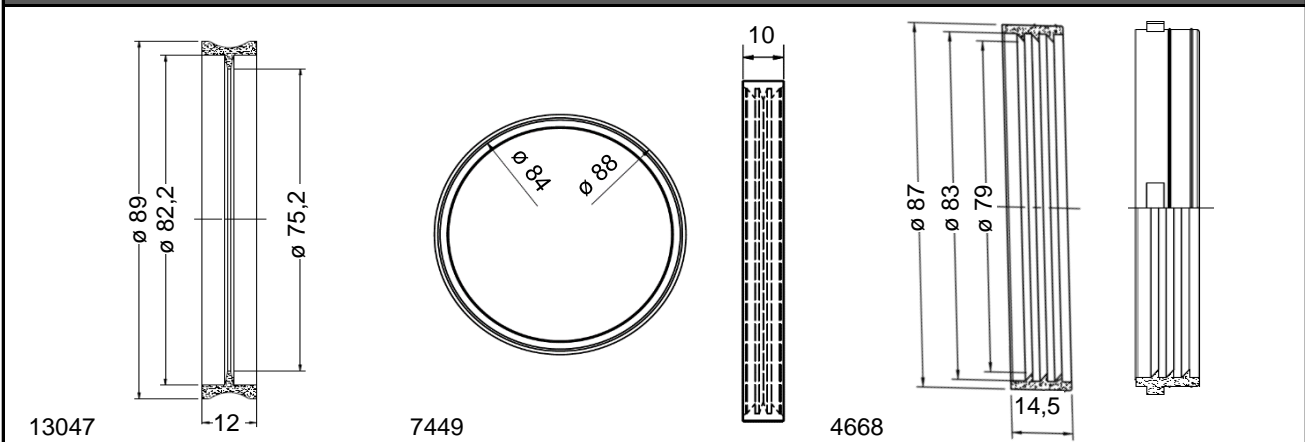
Twin Flue Pipe System, Polypropylene, diam. 80

Gaskets

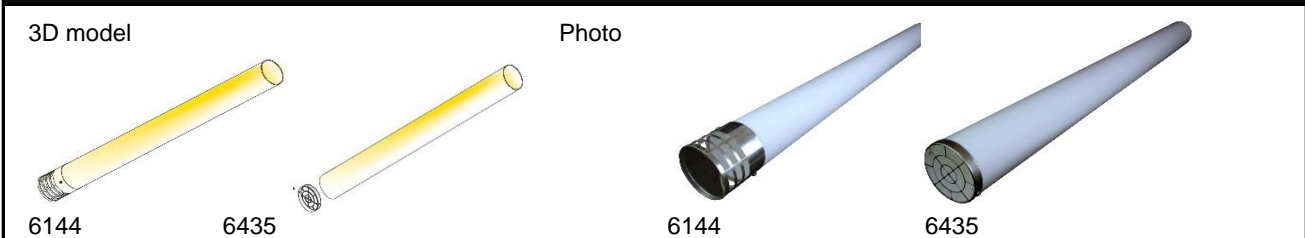


Codes	Marking	Diameter	Specification
13047	MGN08014	80 mm	1 lip
7449	A1011883	80 mm	3 lips
4668	A1011501	80 mm	3 lips, with teeth

Dimensions

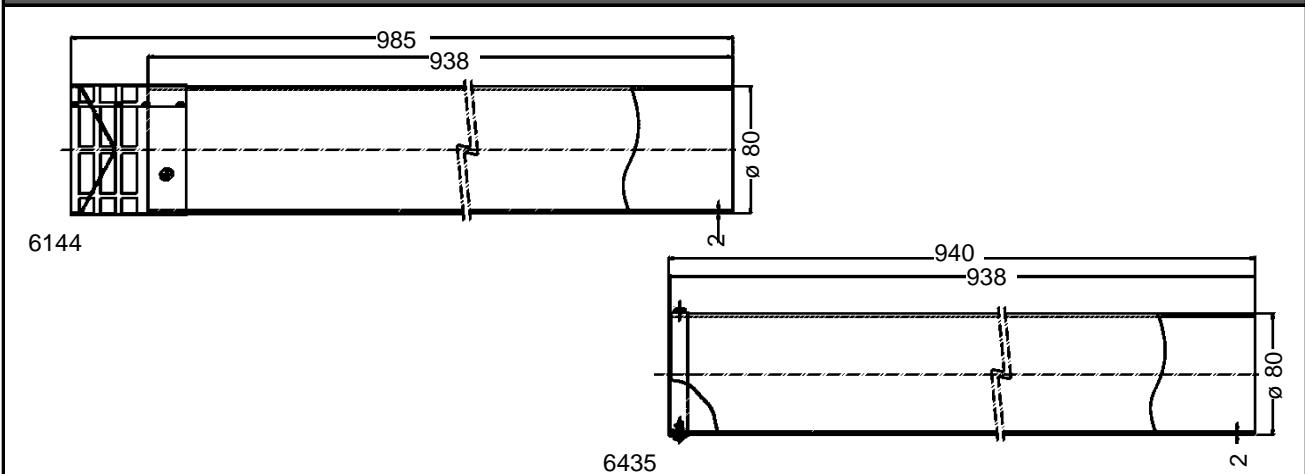


Horizontal Flue Terminal



Codes	Marking	Specification
6144	BB011017	discharge
6435	BB011016	intake

Dimensions



Twin Flue Pipe System, Polypropylene, diam. 80

Flue Terminals

3D model		Photo	
4754	14693	4754	14693

Codes	Marking	Material
4754	A1011902	stainless steel
14693	A5023138	polypropylene

Dimensions

4754	14693

Chimney Cowl

3D model	Photo

Code	Marking
16128	A5025064

Dimensions

--	--

Twin Flue Pipe System, Polypropylene, diam. 80

Vertical Flue Terminals



Codes	Marking	Specification
11257	A5023167	inlet 2x 80 mm
11258	A5023168	inlet 1x 80 mm
11259	A5023169	inlet 1x 80 mm, incl. chimney plate (500x500 mm)

Dimensions

