

DATA SHEET

Concentric Flue Pipes, Polypropylene, diam. 60/100

Main Features

Application	Discharge of flue gas from condensing gas boilers.
Description	Concentric flue pipe system where flue gas passes through the inner polypropylene pipe and combustion air is sucked through the outer lacquered metal pipe.
Transported medium	Flue gas up to 120 °C, air.
Certification	EN 14471:2013

Technical Data

Inner pipe material	polypropylen
Inner pipe diameter	60 mm
Outer pipe material	steel, white lacquer (if not stated otherwise for a specific part)
Outer pipe diameter	100 mm
Gasket material	EPDM

Extension

3D model (250 mm long)

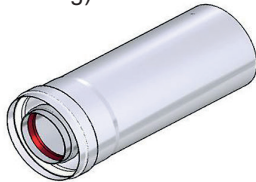
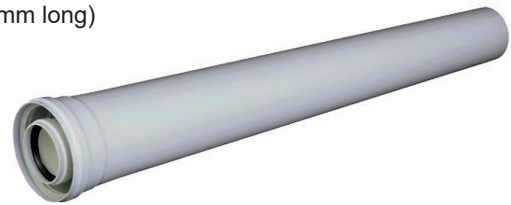
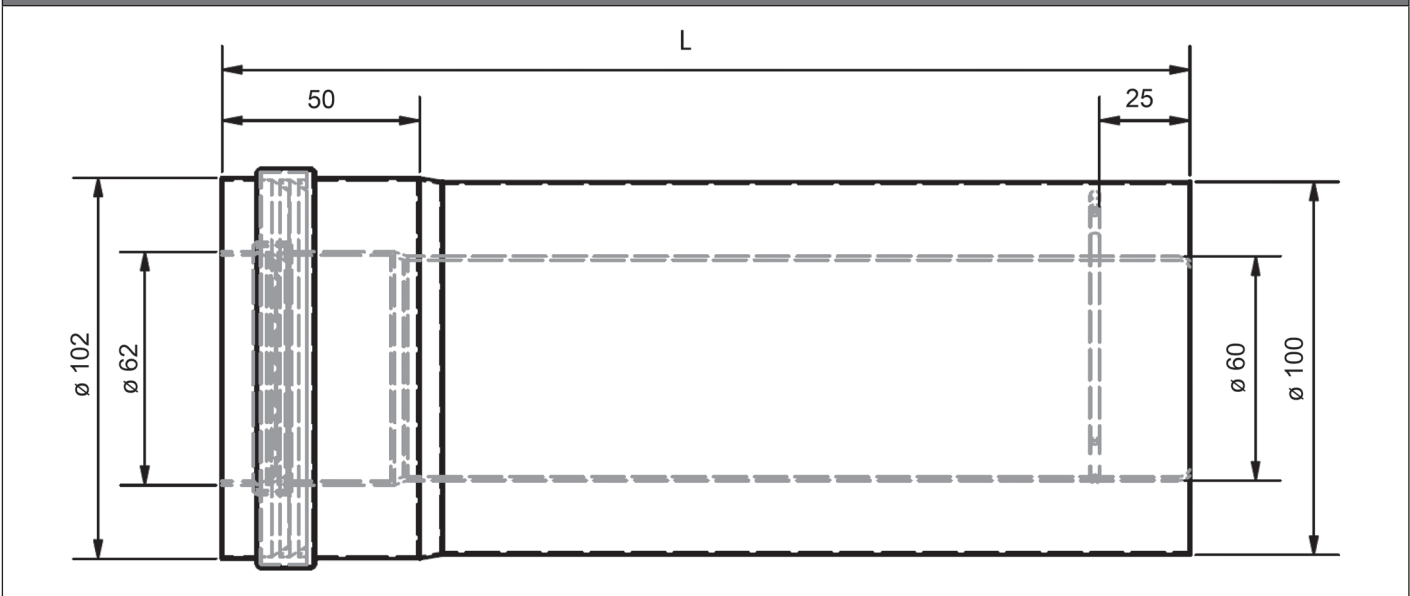


Photo (1000 mm long)



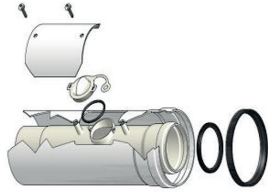
Codes	Marking	Length (dimension L)
9595	A2008205	250 mm
9596	A2008206	500 mm
9597	A2008207	1000 mm
8514	A2008147	1940 mm

Dimensions

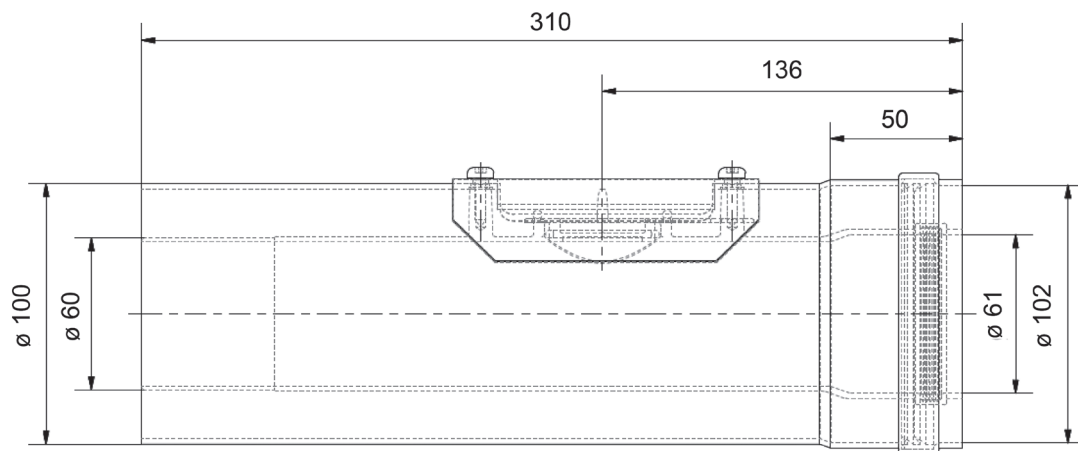


DATA SHEET
Concentric Flue Pipes, Polypropylene, diam. 60/100
Adapter with Inspection Door

3D model



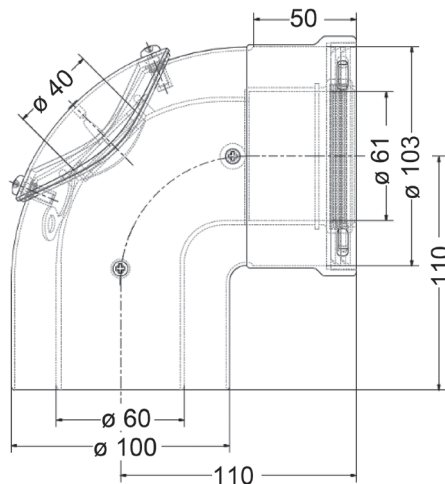
Photo


Code
13835
Marking
A2002162
Dimensions

90° Elbow with Inspection Door

3D model



Photo

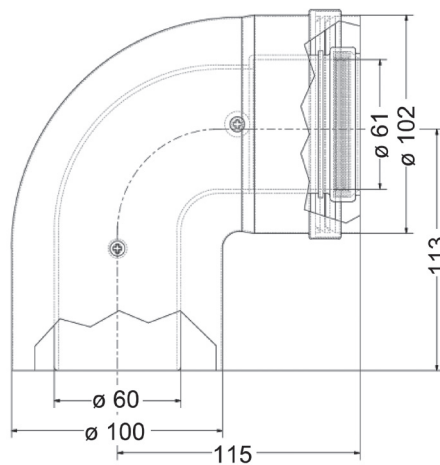

Code
12756
Marking
A2008182
Dimensions


DATA SHEET
Concentric Flue Pipes, Polypropylene, diam. 60/100
90° Elbow

3D model



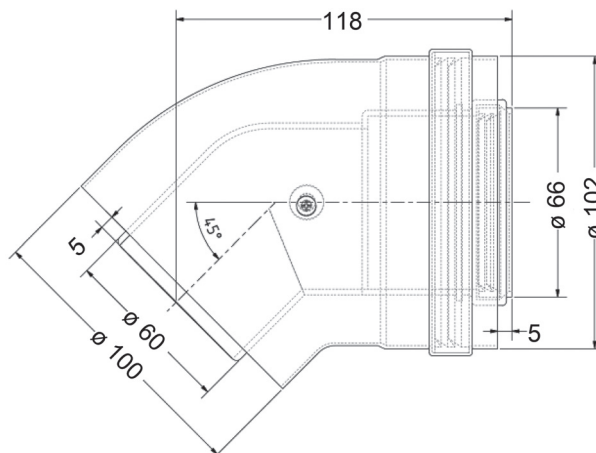
Photo


Code
Marking
6653
A2008163
Dimensions

45° Elbow

3D model



Photo


Code
Marking
6140
A2002160
Dimensions


DATA SHEET
Concentric Flue Pipes, Polypropylene, diam. 60/100
90° Elbow with Flange

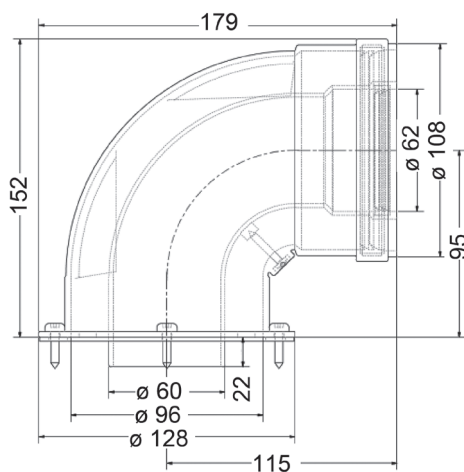
3D model



Photo


Code
Marking
6384
A2002025

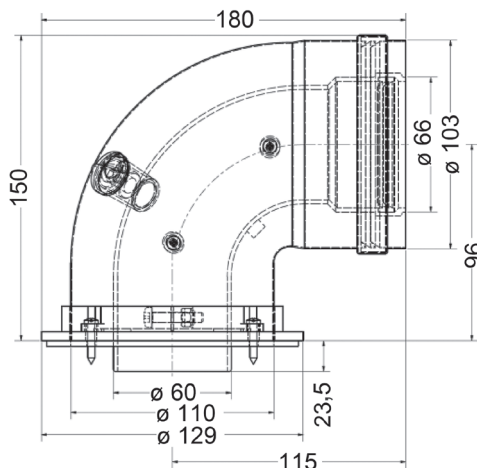
outer pipe material – cast aluminium

Dimensions

90° Elbow with Flange, test points, rotating

3D model



Photo


Code
Marking
7216
A2008164
Dimensions


DATA SHEET

Concentric Flue Pipes, Polypropylene, diam. 60/100

Flange with Test Points

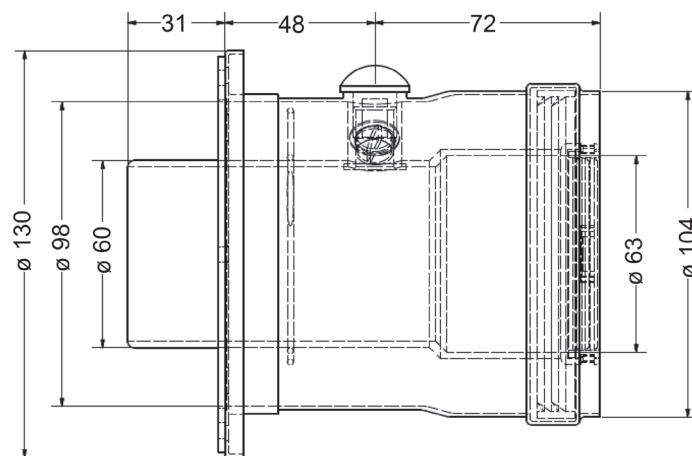
3D model



Photo


Code
4673
Marking
A2002007

Dimensions



Boiler Adapter with Test Points

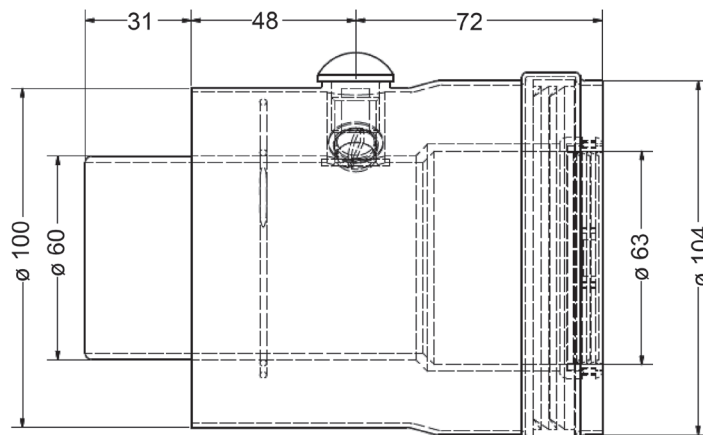
3D model



Photo


Code
7807
Marking
A2002091

Dimensions



DATA SHEET
Concentric Flue Pipes, Polypropylene, diam. 60/100
Wall Collars

3D model



1081



1184

Photo

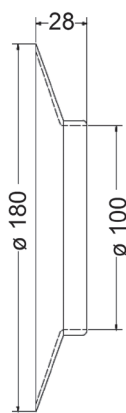


1081

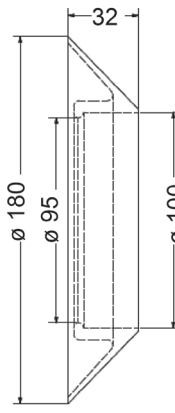


1184

Code	Marking	Position
1081	A1015356	Inner
1184	A1015358	Outer

Dimensions


1081



1184

Gaskets

3D model



9058



4671

Photo

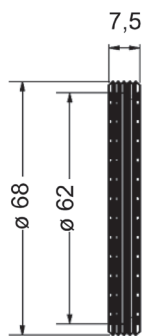


4672

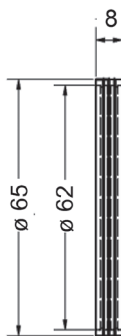


6434

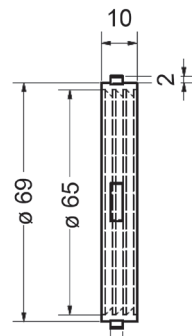
Codes	Marking	Dimater	Specification
9058	A1013310	60 mm	2 lips
4671	A1013020	60 mm	3 lips
4672	A1013184	60 mm	3 lips, with teeth
6434	A1015165	100 mm	2 lips, grey silicone

Dimensions


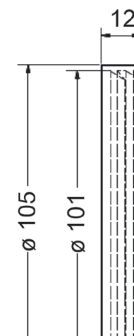
9058



4671



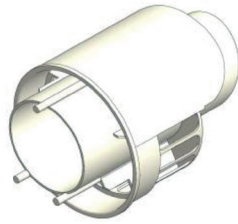
4672



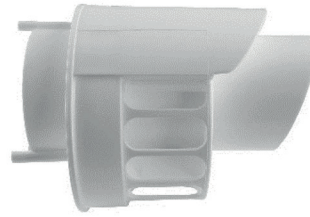
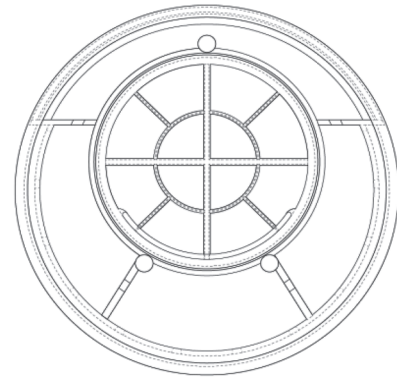
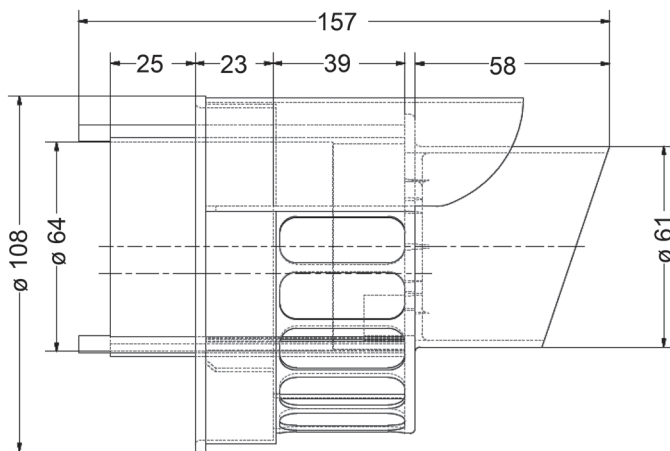
6434

DATA SHEET
Concentric Flue Pipes, Polypropylene, diam. 60/100
Flue Terminal

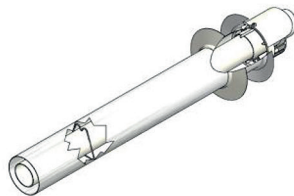
3D model



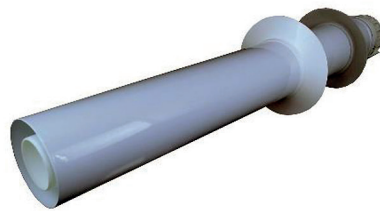
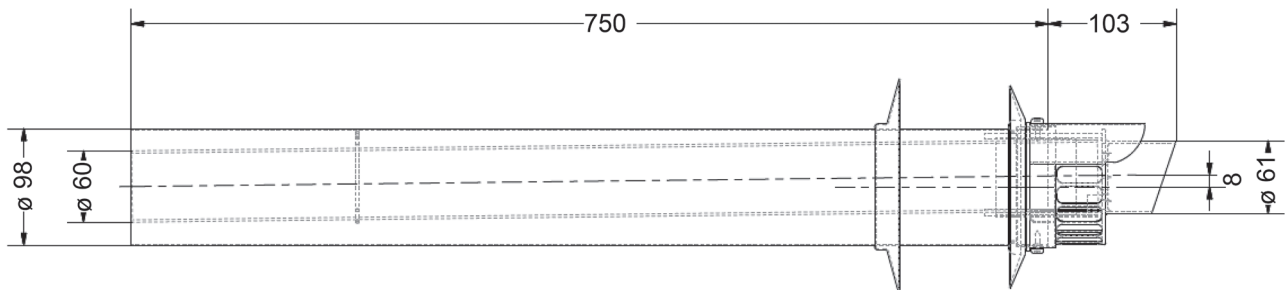
Photo


Code
14692
Marking
BB002021
Dimensions

Horizontal Flue Terminal

3D model



Photo

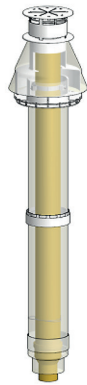

Code
4677
Marking
A2008004
Dimensions


DATA SHEET

Concentric Flue Pipes, Polypropylene, diam. 60/100

Vertical Flue Terminals

3D model



Photo



Codes	Marking	Colour
11253	A5023165	black

Dimensions

