

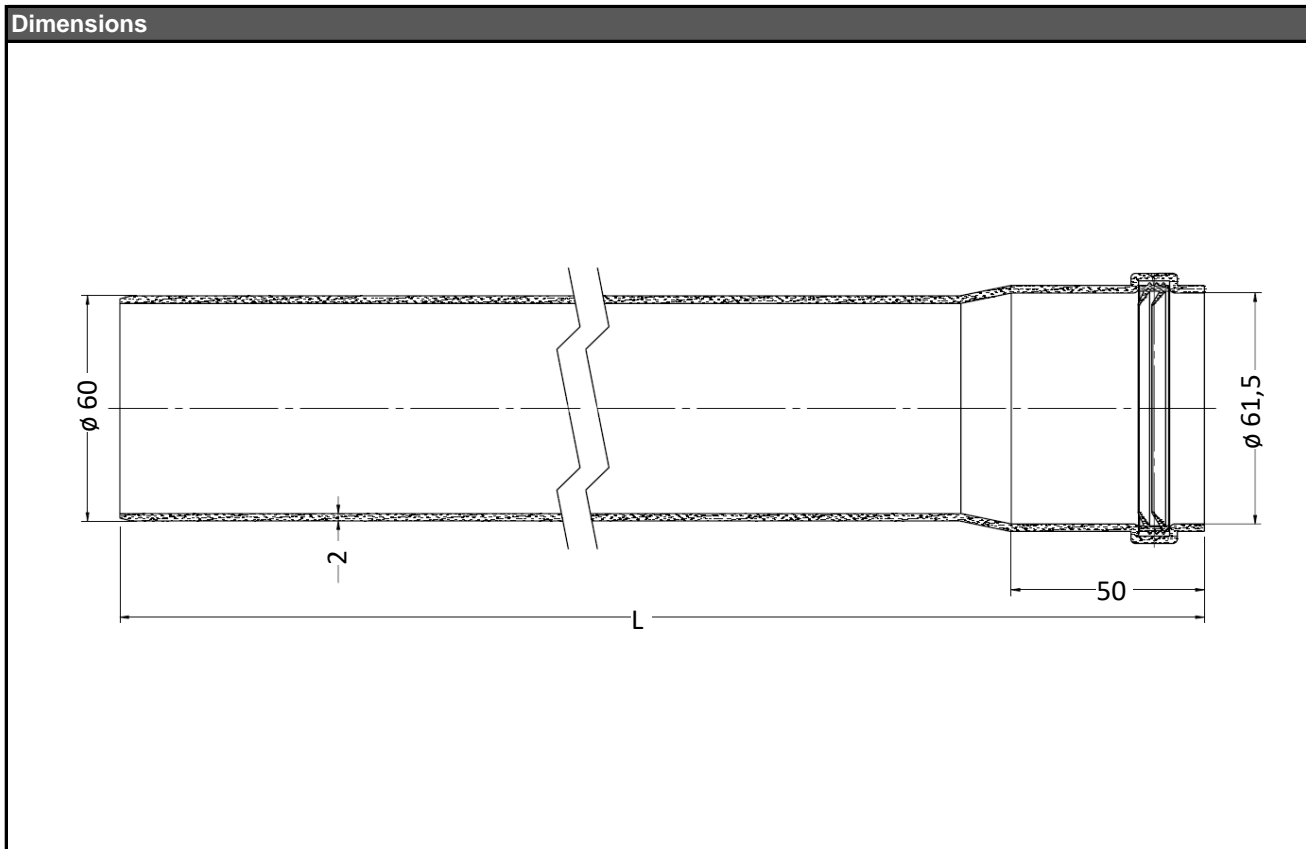
Twin Flue Pipe System, Polypropylene, diam. 60

Main features	
Application	discharge of flue gas from condensing gas boilers
Description	flue pipe system with separate air intake and flue gas outlet through a polypropylene pipe
Transported medium	flue gas up to 120 °C, air
Certification	EN 14471:2013

Technical Data	
Pipe material	polypropylene
Pipe diameter	60 mm
Gasket material	EPDM

Extension	
3D model (250 mm long)	Photo (1000 mm long)

Codes	Marking	Length (dimension L)	Colour	Pozn.
8813	BB004157	500 mm	white	
8814	BB004156	1000 mm	white	
11251	BB004155	2000 mm	white	
14561	BN004157	500 mm	black	UV resistant
14562	BN004156	1000 mm	black	UV resistant
14563	BN004155	2000 mm	black	UV resistant



Twin Flue Pipe System, Polypropylene, diam. 60

90° Elbow

3D model



Photo



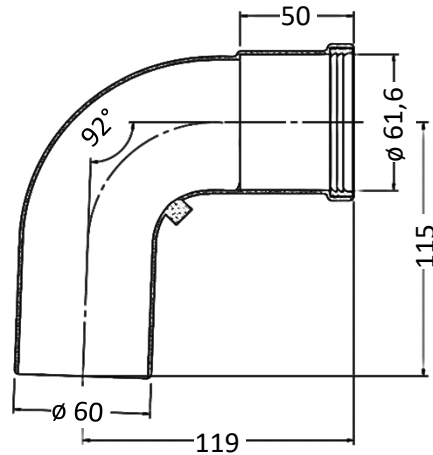
Code

8815

Marking

BB004153

Dimensions



45° Elbow

3D model



Photo



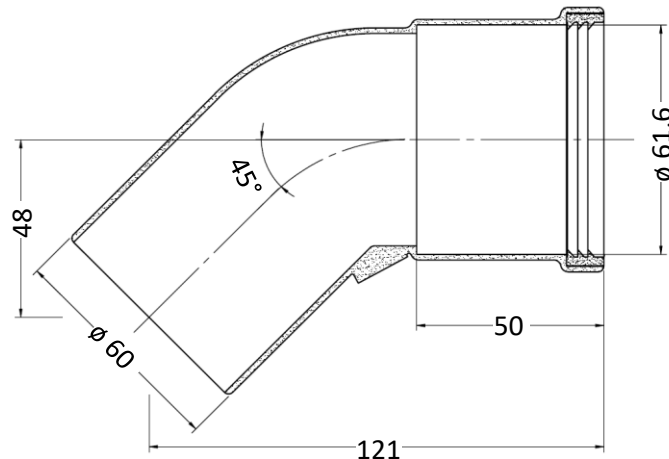
Code

8816

Marking

BB004154

Dimensions



Twin Flue Pipe System, Polypropylene, diam. 60

Chimney Elbow with Support

3D model



Photo



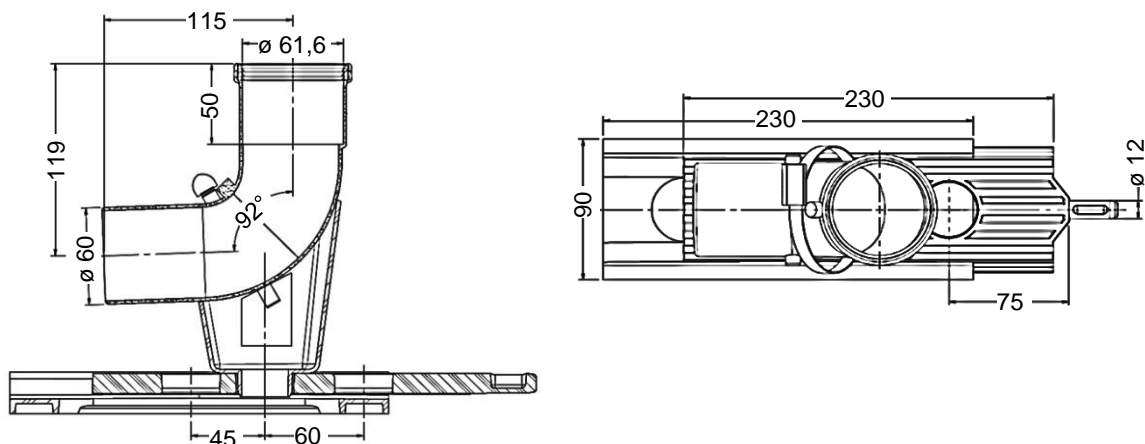
Code

Marking

12108

A1012120

Dimensions



Chimney T-piece, condensate trap, incl. support (separate)

3D model



8807

8811

8202

Photo



8807

8811

8202

Codes

Marking

8807

BB004007

T-piece

8811

BB004010

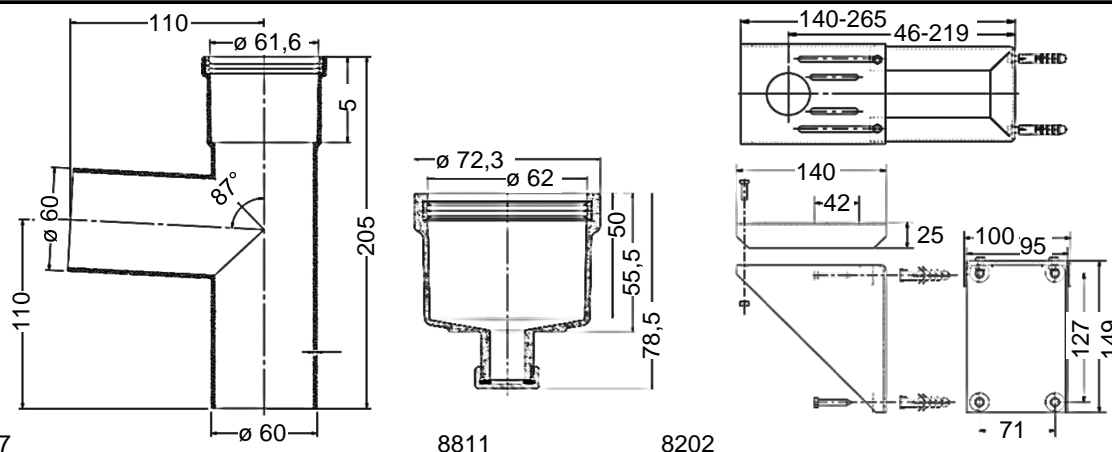
Condensate trap

8202

A5012034

Support

Dimensions



8807

8811

8202

Twin Flue Pipe System, Polypropylene, diam. 60

Adapter 80 M / 60 F

3D model



Photo



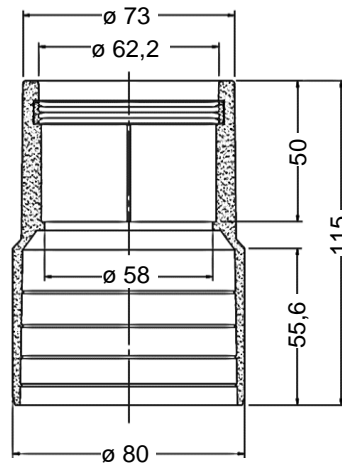
Code

7470

Marking

BB011084

Dimensions



Gaskets

3D model



9058

Photo



9058



4671



4672

Codes

9058

Marking

A1013310

Diameter

60 mm

Specification

2 lips

4671

A1013020

60 mm

3 lips

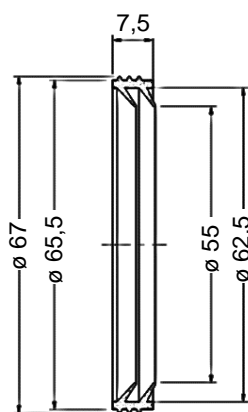
4672

A1013184

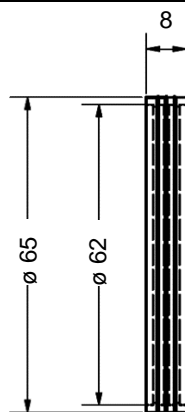
60 mm

3 lips, with teeth

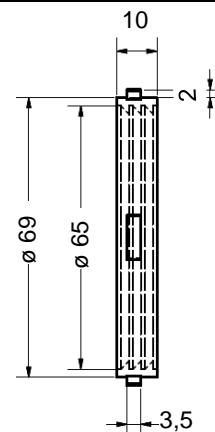
Dimensions



9058



4671



4672

Twin Flue Pipe System, Polypropylene, diam. 60

Chimney Cowl

3D model



Photo



Code

16127

Marking

A5025063

Dimensions

