

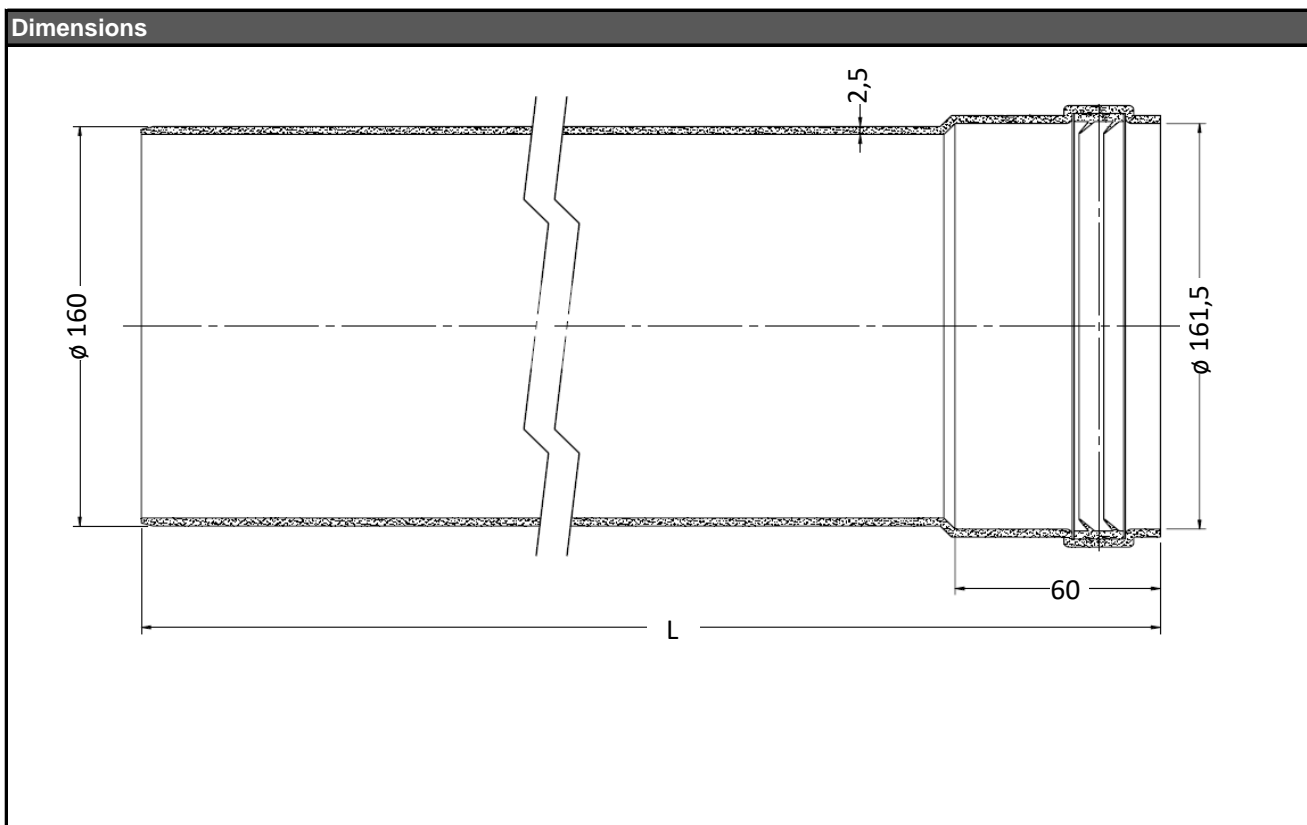
Twin Flue Pipe System, Polypropylene, diam. 160

Main features	
Application	discharge of flue gas from condensing gas boilers
Description	flue pipe system with separate air intake and flue gas outlet through a polypropylene pipe
Transported medium	flue gas up to 120 °C, air
Certification	EN 14471:2013

Technical Data	
Pipe material	polypropylene
Pipe diameter	160 mm
Gasket material	EPDM

Extension	
3D model (1000 mm long)	Photo (500 mm long)

Codes	Marking	Length (dimension L)	Colour
9685	BB016005	500 mm	white
9686	BB016001	1000 mm	white



Twin Flue Pipe System, Polypropylene, diam. 160

90° Elbow

3D model



Photo



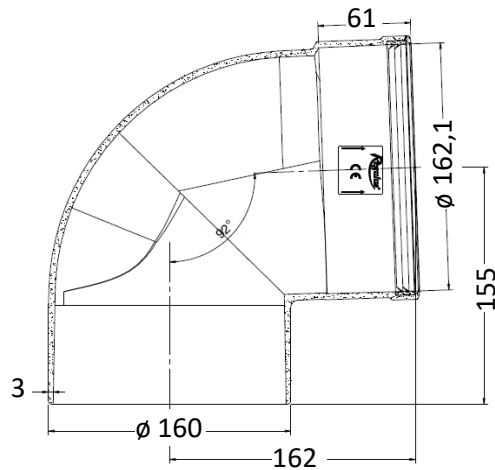
Code

Marking

9673

BB016017

Dimensions



45° Elbow

3D model



Photo



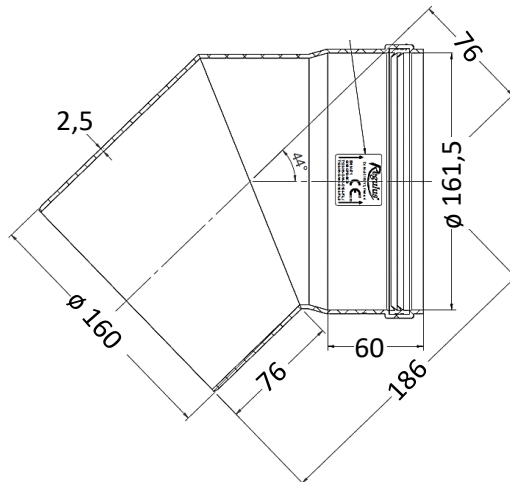
Code

Marking

9674

BB016018

Dimensions



Twin Flue Pipe System, Polypropylene, diam. 160

Eccentric Flue Adapter 125 M / 160 F

3D model



Photo



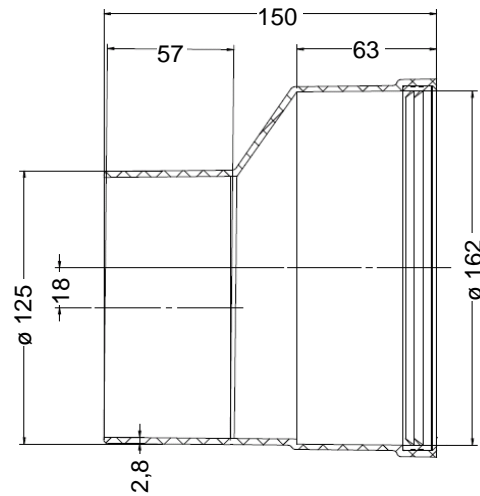
Code

16024

Marking

BB016072

Dimensions



Gaskets

3D model



Photo



Code

12778

Marking

B1016016

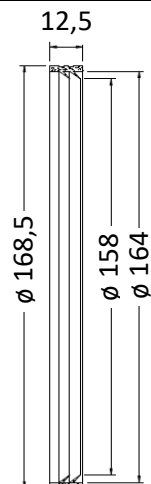
Diameter

160 mm

Specification

2 lips

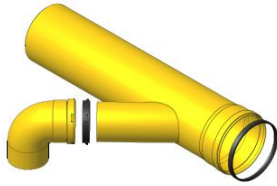
Dimensions



Twin Flue Pipe System, Polypropylene, diam. 160

Extension for Cascades with Elbow

3D model



Photo



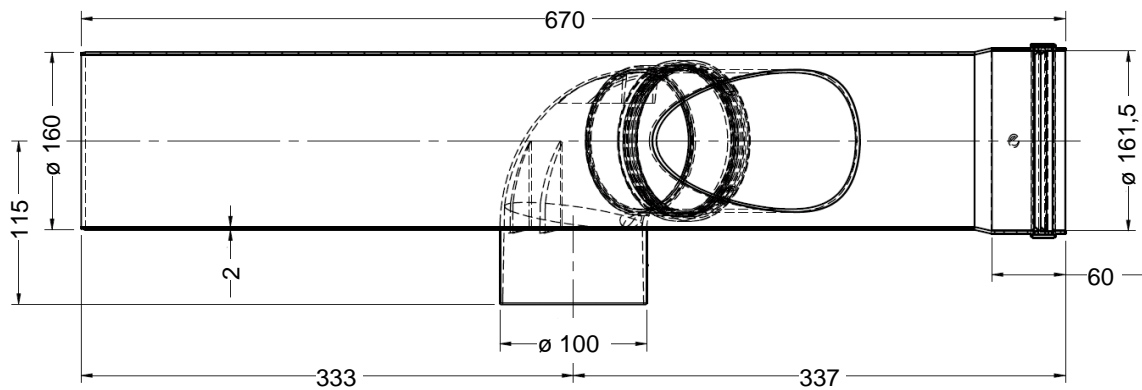
Code

9676

Marking

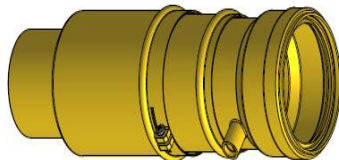
BB016052

Dimensions



Adapter for Cascades

3D model



Photo



Code

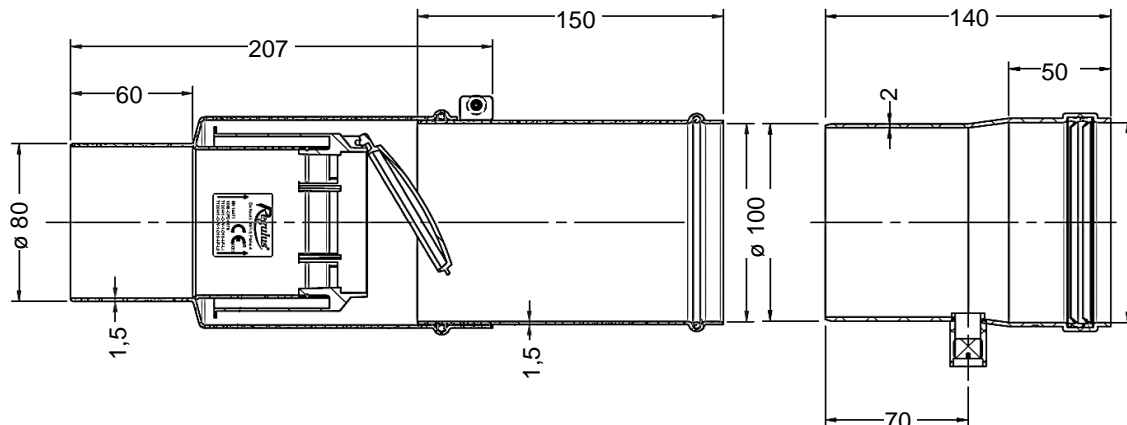
9682

Marking

BB005065

3-pc set w. non-return flap

Dimensions



Twin Flue Pipe System, Polypropylene, diam. 160

Non Return Flap for Cascades

3D model



Photo



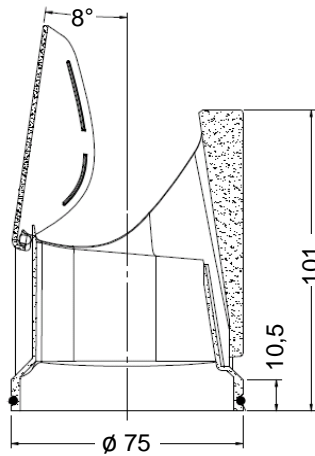
Code

14567

Marking

BB011377

Dimensions



Cap for Cascades, w. Condensate Trap

3D model



Photo



Code

10219

Marking

BB016020

including plug

Dimensions

