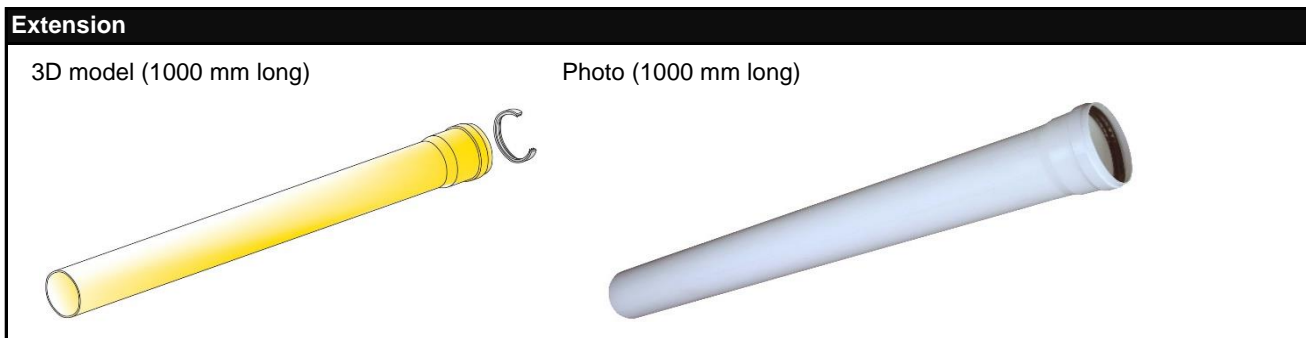


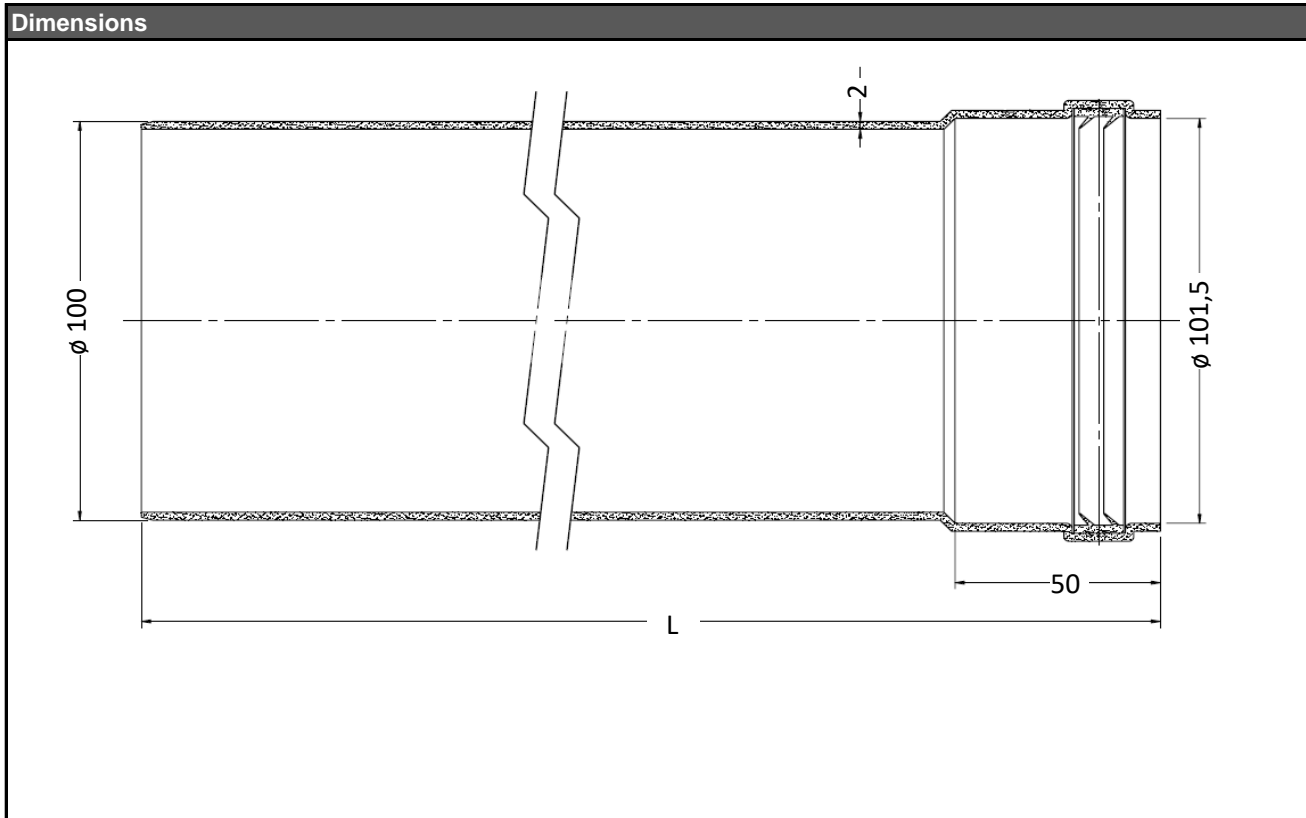
Twin Flue Pipe System, Polypropylene, diam. 100

Main features	
Application	discharge of flue gas from condensing gas boilers
Description	flue pipe system with separate air intake and flue gas outlet through a polypropylene pipe
Transported medium	flue gas up to 120 °C, air
Certification	EN 14471:2013

Technical Data	
Pipe material	polypropylene
Pipe diameter	100 mm
Gasket material	EPDM



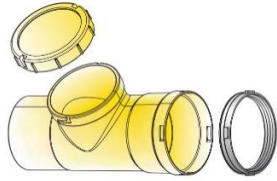
Codes	Marking	Length (dimension L)	Colour	Specification
8211	BB005019	500 mm	white	
8212	BB005020	1000 mm	white	
15405	BN005020	1000 mm	black	UV resistant



Twin Flue Pipe System, Polypropylene, diam. 100

Adapter with Inspection Door

3D model



Photo



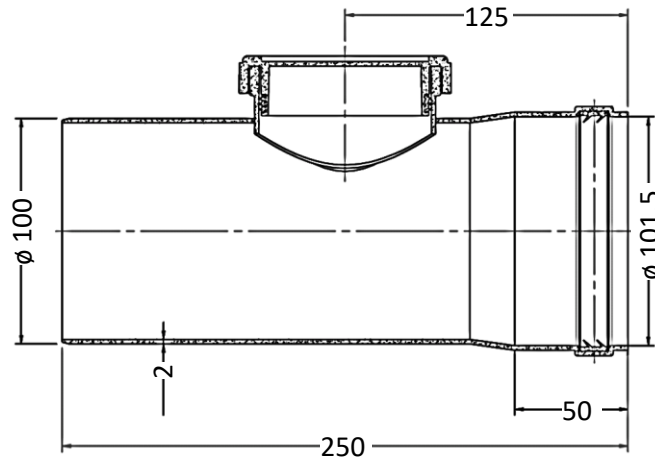
Code

14988

Marking

BB005129

Dimensions



90° Elbow with Inspection Door

3D model



Photo



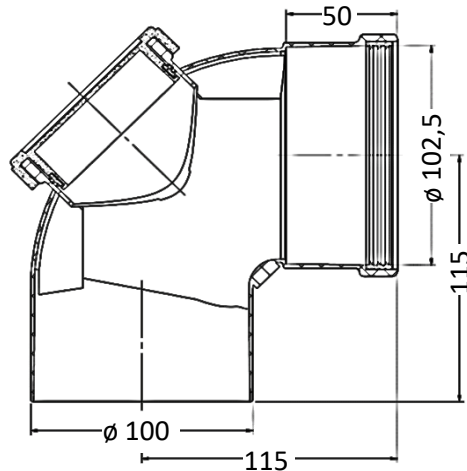
Code

12472

Marking

BB005073

Dimensions



Twin Flue Pipe System, Polypropylene, diam. 100

90° Elbow

3D model



Photo



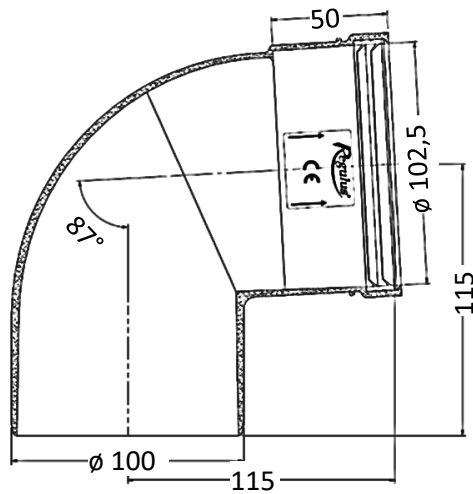
Code

8210

Marking

BB005190

Dimensions



45° Elbow

3D model



Photo



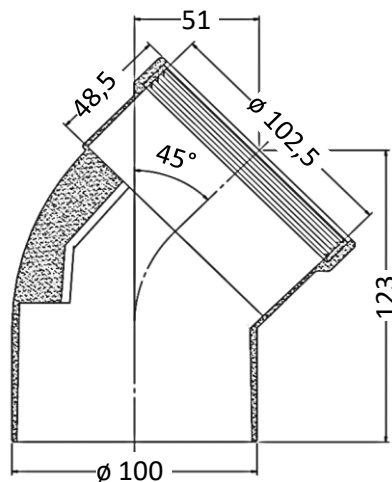
Code

8209

Marking

BB005017

Dimensions



Twin Flue Pipe System, Polypropylene, diam. 100

Chimney Elbow with Support

3D model



Photo



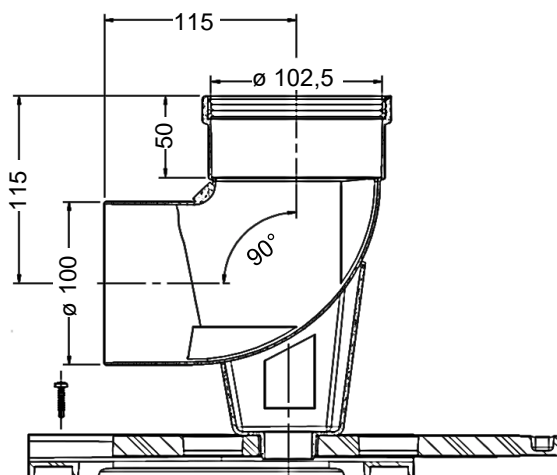
Code

12409

Marking

A1012145

Dimensions



Chimney T-piece, condensate trap, incl. support (separate)

3D model



Photo



Codes

8214

Marking

BB005022

T-piece

7005

BB005077

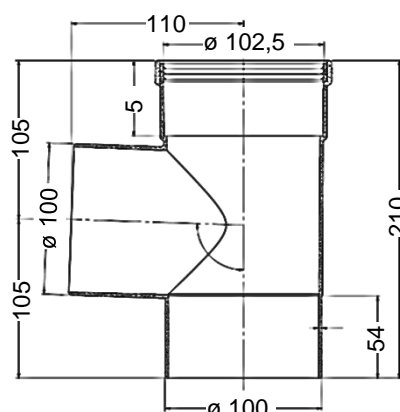
Condensate trap

8202

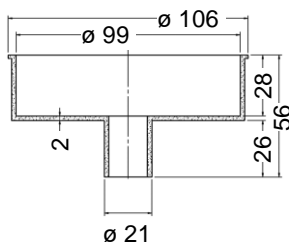
A5012034

Support

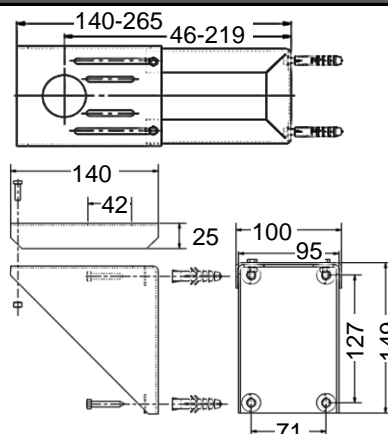
Dimensions



8214



7005



8202

Twin Flue Pipe System, Polypropylene, diam. 100

Adapter 80 M / 100 F

3D model



Photo



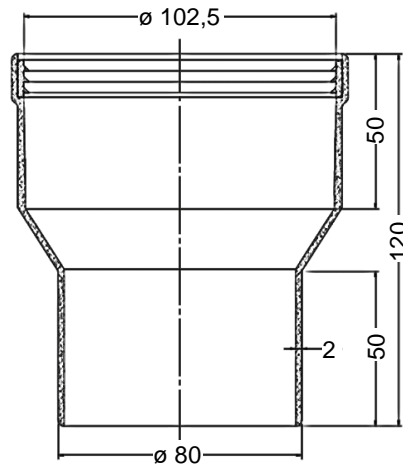
Code

8441

Marking

BB005029

Dimensions



Eccentric Flue Adapter, 80 M / 100 F

3D model



Photo



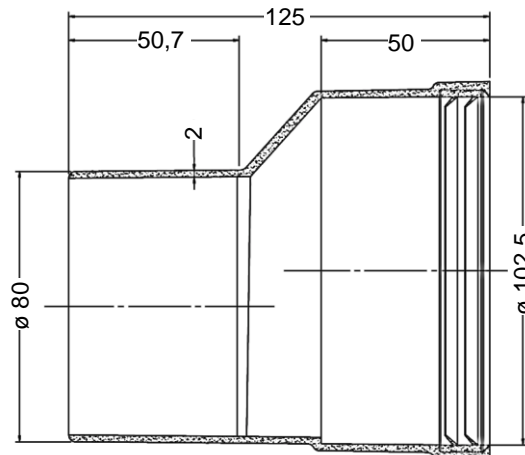
Code

16034

Marking

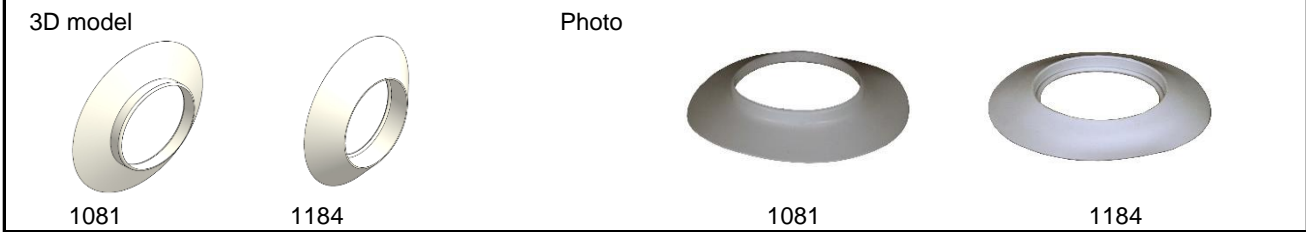
BB005195

Dimensions



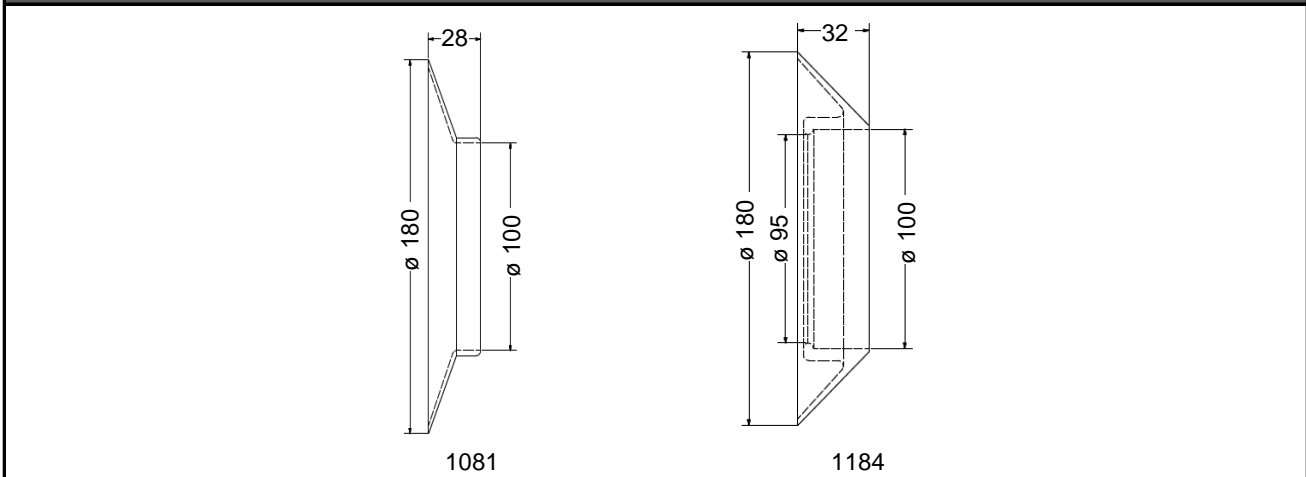
Twin Flue Pipe System, Polypropylene, diam. 100

Wall Collars



Codes	Marking	Position
1081	A1015356	Inner
1184	A1015358	Outer

Dimensions

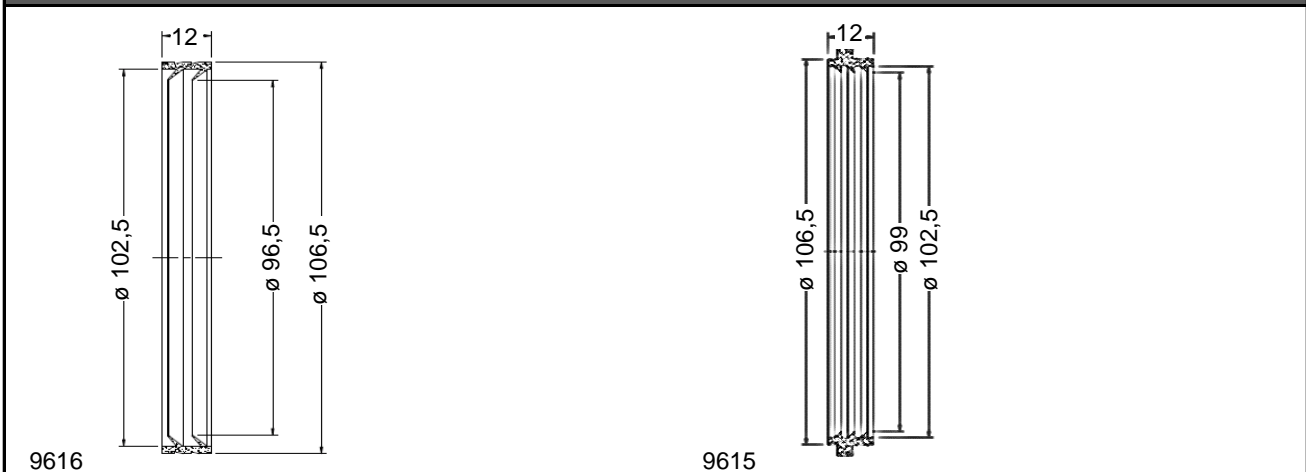


Gaskets



Codes	Marking	Diameter	Specification
9616	A1015200	80 mm	2 lips
9615	A1015208	80 mm	3 lips, with teeth

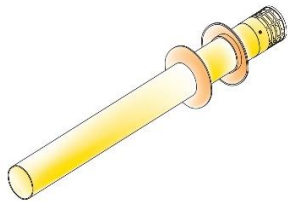
Dimensions



Twin Flue Pipe System, Polypropylene, diam. 100

Horizontal Flue Terminal

3D model



Photo



Code

Marking

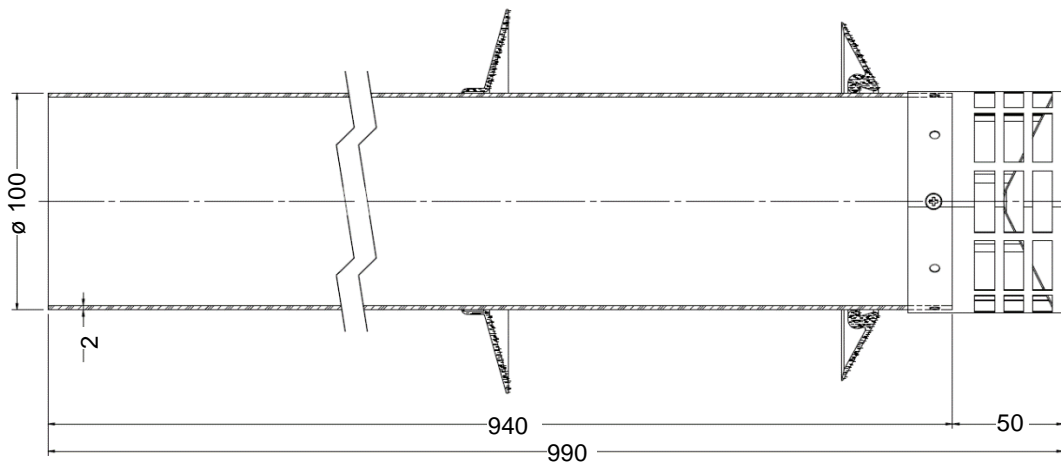
Specification

7121

BB005034

discharge

Dimensions



Chimney Cowl

3D model



Photo



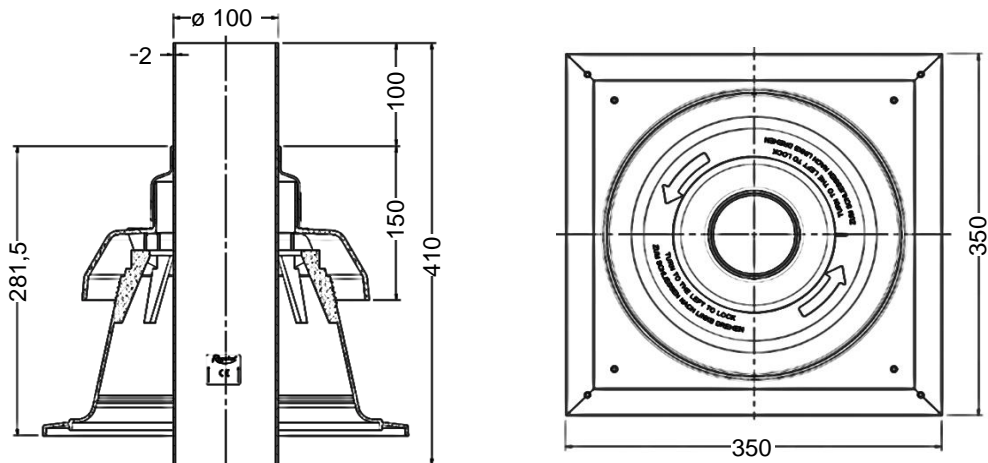
Code

Marking

16129

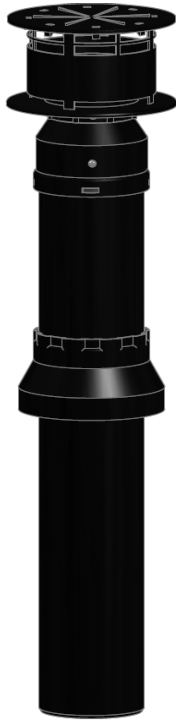
A5025065

Dimensions



Twin Flue Pipe System, Polypropylene, diam. 100**Vertical Flue Terminals**

3D model



Photo

**Code****12410****Marking****A5023177****Dimensions**