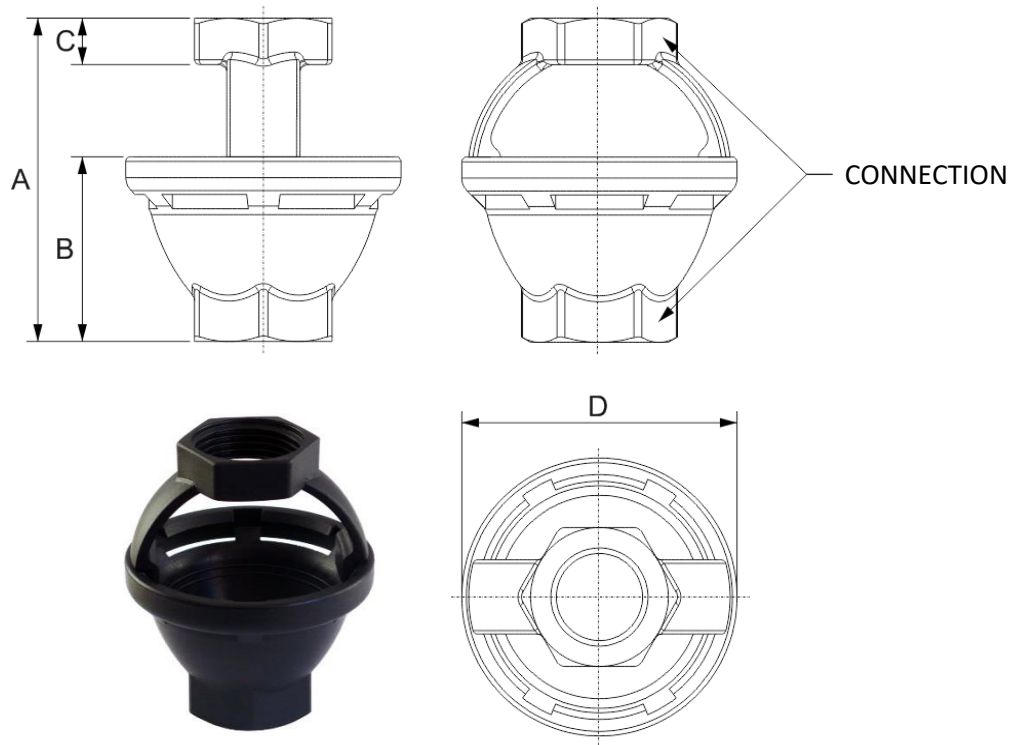


Tundish for safety valve outlet

Main Features

Application	to interrupt safety valve outlet pipe
Purpose	The tundish is designed to limit fluid spray during pressure equalizing between a safety valve outlet pipe and environment, to reduce the temperature of outgoing fluid and to connect a safety valve outlet pipe to sewer. The thread size on the tundish inlet shall be at least equal to that in the safety valve outlet. Place the tundish as close to a floor as possible.

Dimensions



Technical Data

Parameter	1/2" Tundish	3/4" Tundish	1" Tundish	5/4" Tundish
Dimension A	70 mm	70 mm	90 mm	90 mm
Dimension B	40 mm	40 mm	50 mm	50 mm
Dimension C	10 mm	10 mm	15,5 mm	15,5 mm
Dimension D	ø60 mm	ø60 mm	ø80 mm	ø80 mm
Max. working temperature	120 °C	120 °C	120 °C	120 °C
Weight	30 g	25 g	75 g	55 g
Connection	2 x G1/2" F	2 x G3/4" F	2 x G1" F	2 x G5/4" F
Material	PA 66-GF30	PA 66-GF30	PA 66-GF30	PA 66-GF30
For drinking water*	yes	no	no	no
Code	14062	14063	14064	14065

* by EN 1717