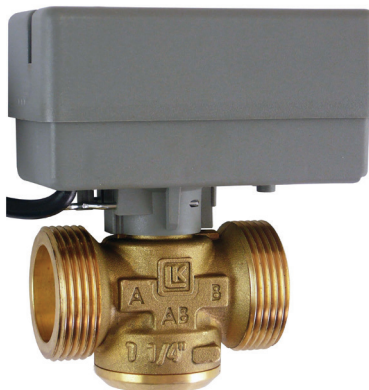


DATA SHEET

LK 525 Zone 2-way Gate Valves – bidirectional actuator with 2-point control, NO

LK 525 G 1 M"

LK 525 G 5/4 M"


Main Features

Application	Heating or solar thermal systems.
Working fluid	Water, water–glycol mixture (max. 1:1) or water–glycerine mixture (max. 2:1).
Installation position	Any, except for actuator facing downwards.

Codes

12874	for LK 525 with connection G 1" M
12875	for LK 525 with connection G 5/4" M

Control

two-point (SPST)

De-energised	valve open
Energised	valve closed
Manual control	after removing actuator, turn valve stem to the desired position
Valve shift time	12 s/90°

Valve Data

Max. working pressure	10 bar
Fluid working temperature	no adapter: 5 to 80 °C, 90 °C in short term with adapter: –15 to 120 °C, 160 °C in short term
Leakage rate	< 1 % Kvs at Δp 10 m H ₂ O

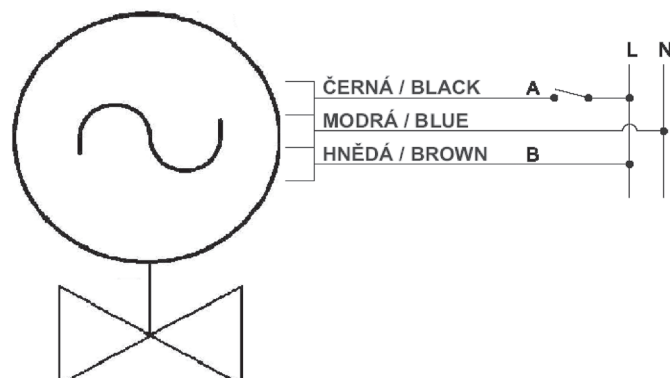
Actuator Data

Power supply	230 V 50 Hz
Power consumption	7 W
Current	30 mA
IP rating	IP40 per EN 60529
Protection class	II per EN 61140 ed. 2
Electromagnetic compatibility	per EN 50130-4
Ambient working temperature	1 to 60 °C
Power cable cross section	3 x 0.75 mm ²
Power cable length	1 m

Materials

Valve body	forged brass
Valve member	PPS
Valve spindle	PPS
Power cable	PVC

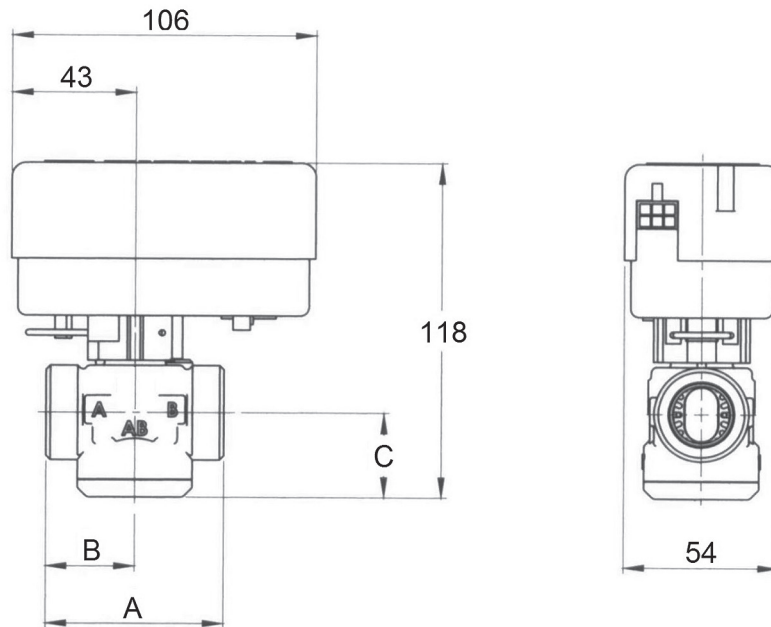
Electric wiring



DATA SHEET

LK 525 Zone 2-way Gate Valves – bidirectional actuator with 2-point control, NO

Dimensions



Type	Parameter	Connection	Dimensions [mm]			Weight [g]	K _{vs} [m ³ /hod]	Max. pressure difference [m H ₂ O]
			A	B	C			
LK 525 2-way valves		G 1" M	62	31	30	0.6	11	10
		G 5/4" M	74	37	30	0.6	11	10

Pressure drop graph

