

DATA SHEET

CSE2 SOL W SRS3 E P Solar Pump Station



Main Features

Application	This twin-line solar pump station contains all components necessary for current and efficient operation. It is designed for solar thermal systems with one collector array and 1–2 solar consumers or 2 independent arrays and one consumer or with an auxiliary switched heat source (e.g. an electric heating element, gas boiler etc.). A safety temperature limiter of the switched heat source is not included in supply.
Description	<p>The pump station includes:</p> <ul style="list-style-type: none"> – Para ST 25/7-50/iPWM2 circulation pump, – SRS3 E P controller, – check valve, – safety valve with G 3/4" F outlet, – ball valves on both flow and return lines, – air eliminator with manual air vent valve, – flowrate indicator, – pressure gauge, – thermometers on both flow and return lines, – two G 3/4" M valves for filling, draining and topping up the solar thermal system, – G 3/4" M outlet for connecting an expansion vessel, – 2 already connected temperature sensors of a solar consumer (4 m long), – already connected cable w. silicone insulation to connect a solar sensor (1 m long), – solar temperature sensor (2 m long cable), – already connected 230 V power cord with plug (3 m long, 3 x 1.5 mm² cross section), – mounting kit for installation on a wall or tank, – insulation.
Installation	On a tank or wall.
Working fluid	Water–glycol mixture (max. 1:1).
Codes	<p>20373 – Connections G 3/4" M, flowrate indicator 2–12 l/min</p> <p>20452 – Connections G 1" M, flowrate indicator 8–28 l/min</p> <p>20457 – Connections Cu 22 mm, flowrate indicator 2–12 l/min</p>

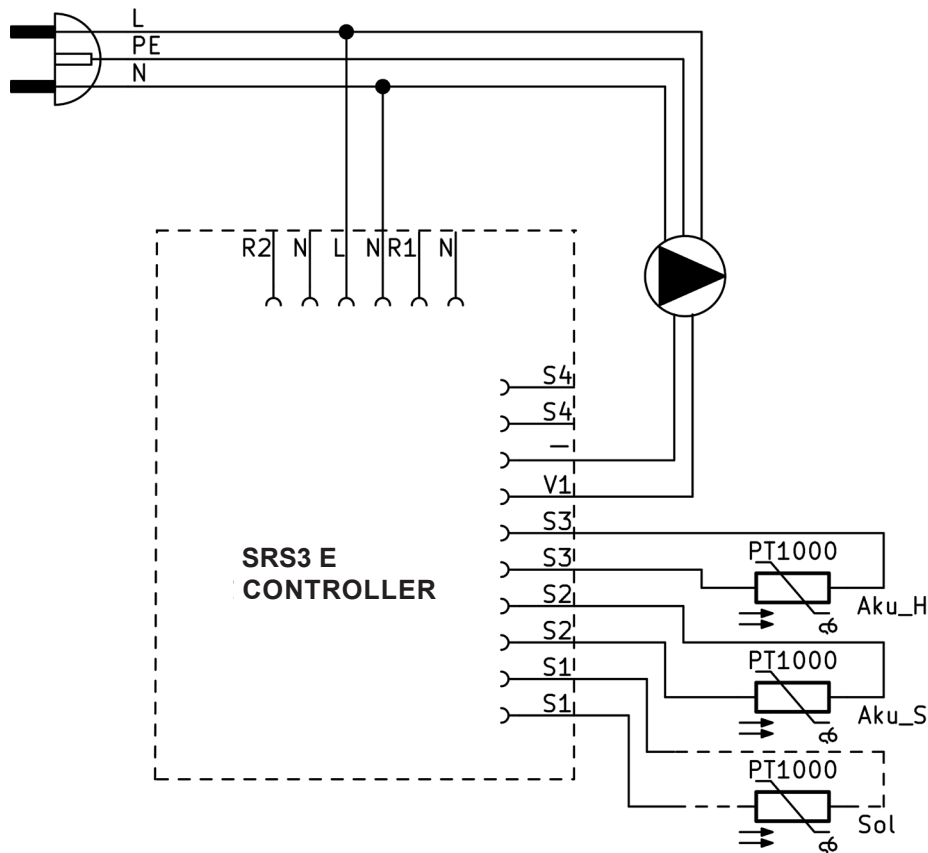
Pump Station Data

Max. fluid working temperature	110 °C
Max. working pressure	6 bar
Min. system pressure	1.3 bar with the pump stopped
Ambient temperature	5 to 40 °C
Max. relative humidity	85% at 25 °C
Power supply	230 V, 50 Hz
Max. switched current	2 A/230 V
Insulation material	EPP RG 60 g/l
IP rating	IP20
Overall dimensions (w x h x d)	430 x 490 x 155 mm
Total weight	6.8 kg

DATA SHEET

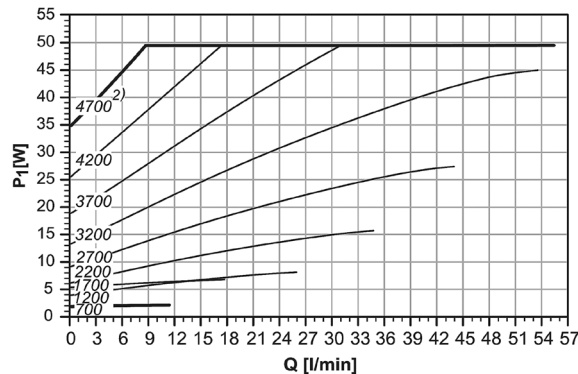
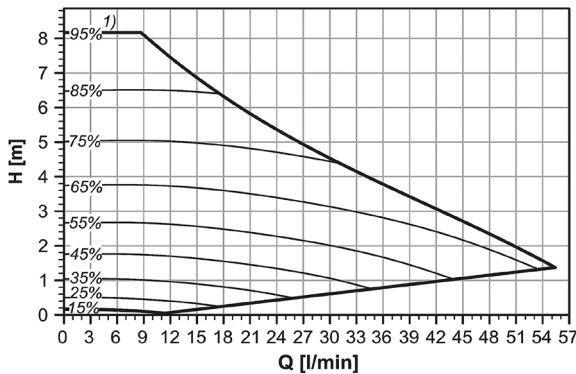
CSE2 SOL W SRS3 E P Solar Pump Station

Pump Station Internal Wiring



- R2** relay R2 (max. 2A) – not connected
- N** zero conductor
- L** phase conductor
- R1** relay R1 (max. 2A) – not connected
- S4** sensor 4 – not connected
- GND PWM
- V1** PWM signal output
- S3** sensor 3 (solar appliance)
- S2** sensor 2 (solar appliance)
- S1** sensor 1 (collector)

Pump Performance curves



NOTE:
 1) PWM signal value in %,
 2) speed in rpm

DATA SHEET**CSE2 SOL W SRS3 E P Solar Pump Station****Pressure Drop Graph**