

## CSE MIX W6 1F Pump Station



Main Features	
Application	Providing circulation and mixing of a heating circuit or solid fuel fired source circuit. Switching of the circulation pump and control of the mixing valve is realized from an external controller.
Description	consist of PARA 25/6 SC pump, LK 840 3-way mixing valve w. AVC actuator, insulation
Working fluid	water; water/glycol mixture (max. 1:1) or water-glycerine mixture (max. 2:1)
Installation	flow pipe to heating circuit / on solid fuel boiler return pipe, min. pipe centre distance from wall is 100 mm
<b>Code</b>	<b>18317</b>

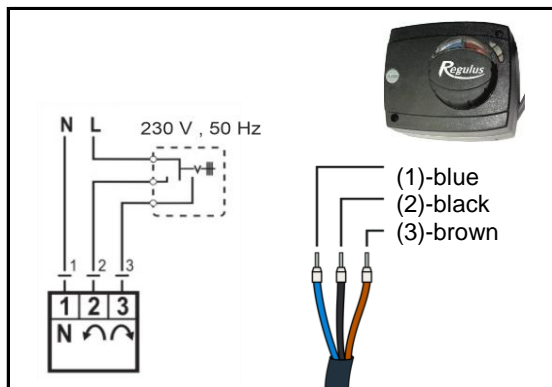
Data for CSE MIX W6 1F Pump Station	
Fluid working temperature	5 - 90 °C
Max. working pressure	10 bar
Min. working pressure	0.5 bar
Ambient temperature	5 - 40 °C
Max. relative humidity	80 % non condensing
Insulation material	EPP RG 60 g/l
Mixing valve Kvs	10 m³/h
Max. pressure difference	5 mH <sub>2</sub> O (at mixing valve inlets)
Leak rate	< 1 % Kvs at 5m H <sub>2</sub> O pressure difference (at mixing valve inlets)
Overall dimensions	325 x 140 x 220 mm
Total weight	3.9 kg
Connections	3 x G 1" F

## CSE MIX W6 1F Pump Station

### AVC Actuator for Mixing Valve

#### Technical Data

Torque	5 Nm
Angle of rotation	90°
Shift time	120 s
Control	3-point
Auxiliary switch	none
Power supply	230 V AC
Max. power input	2,5 VA
IP rating	IP42
Protection class	II by EN 60730-1
Cable (cross section - length)	3 x 0.5 mm <sup>2</sup> - 2 m

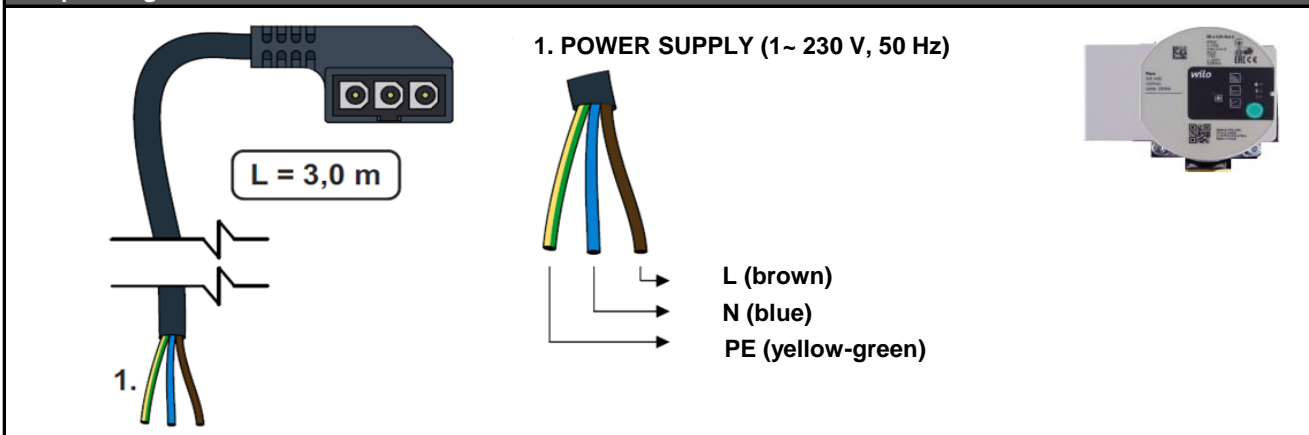


### Wilo PARA 25/6 SC Pump

#### Electric Data

Power supply	230 V, 50 Hz
Power input (min./max.)	3/43 W
Current (min./max)	0,04/0,44 A
Max. speed	4300 rpm
Speed control	frequency converter
Energy Efficiency Index	≤ 0,21 by EN 16 297/3
IP rating	IPX4D
Motor protection	integrated

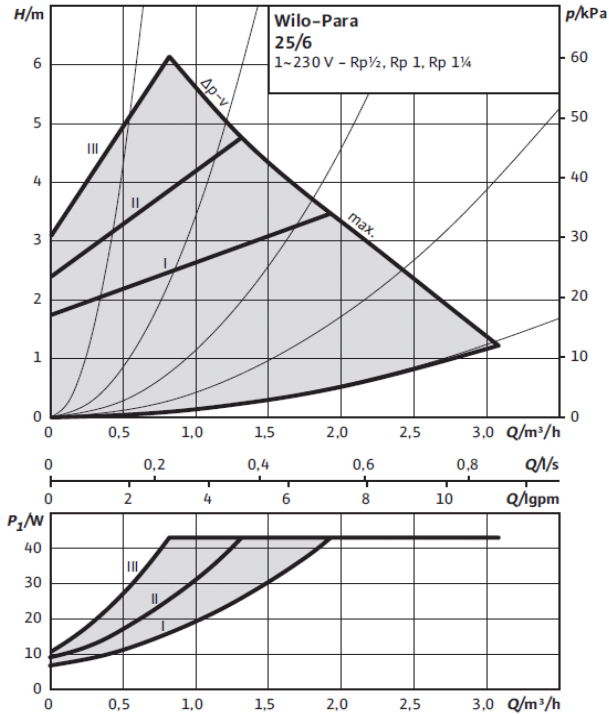
### Pump Wiring



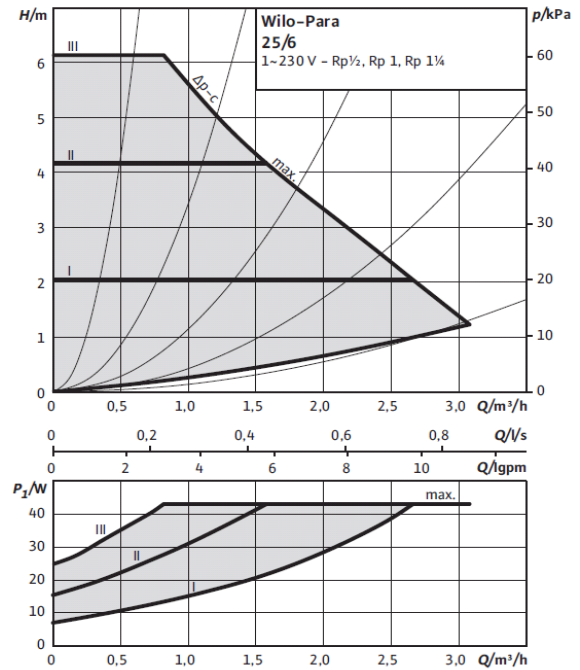
CSE MIX W6 1F Pump Station

Performace Curves for Wilo PARA 25/6 SC Pump

Characteristics of  $\Delta p-v$  (variable)



Characteristics of  $\Delta p-c$  (constant)



Characteristics of  $n=const.$

