

DATA SHEET

CSE MIX W-PWM 1F Pump Station



Main Features	
Application	Control by an external controller of a heating circuit flow temperature, or control of return temperature for solid-fuel boilers. Control of a circulation pump by means of a PWM signal and control of a mixing valve is performed from an external controller (not included in supply). With no PWM signal, the circulation pump runs at max. speed.
Description	Consists of WILO PARA 25/8 iPWM pump, LK 840 3-way mixing valve with AVC actuator, insulation.
Working fluid	Water, water-glycol mixture (max. 1:1), water-glycerine mixture (max. 2:1).
Installation	On solid fuel boiler return pipe / flow pipe to heating circuit, min. pipe centre distance from wall is 100 mm.
Code	18128

Pump Station Data	
Fluid working temperature	5–95 °C
Max. working pressure	10 bar
Min. working pressure	0.5 bar
Ambient temperature	5–40 °C
Max. relative humidity	80 % non condensing
Mixing valve Kvs	10 m ³ /h
Valve Leakage rate	< 1 % Kvs at 5 mH ₂ O pressure difference
Actuator torque	5 Nm
Actuator angle of rotation	90°
Actuator shift time	120 s
Actuator control	3-point (SPDT)
Actuator auxiliary switch	none
Max. pump speed	4800 rpm
Overall dimensions	305 x 135 x 195 mm
Total weight	3.4 kg
Connections	3 x G 1" F

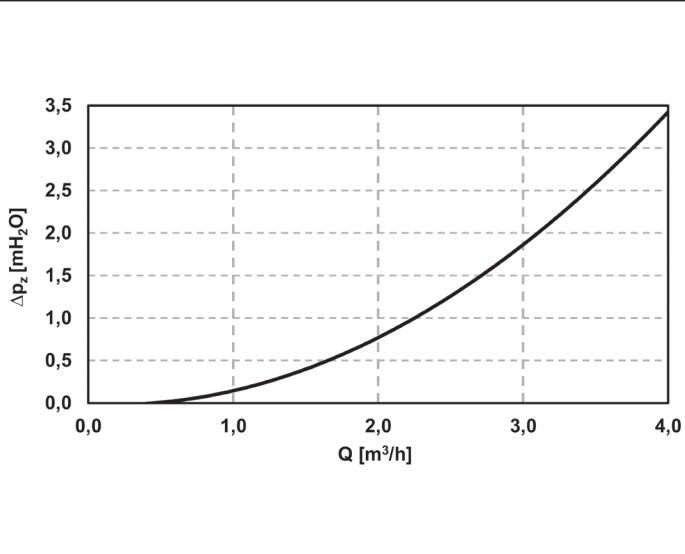
Electric Data	
Power supply	1~230 V, 50/60 Hz
Pump power input (min./max.)	2/75 W
Pump current (min./max.)	0.03/0.66 A
Actuator max. power input	2.5 VA

Materials	
Insulation material	EPP RG 60 g/l
Mixing valve and fittings	brass

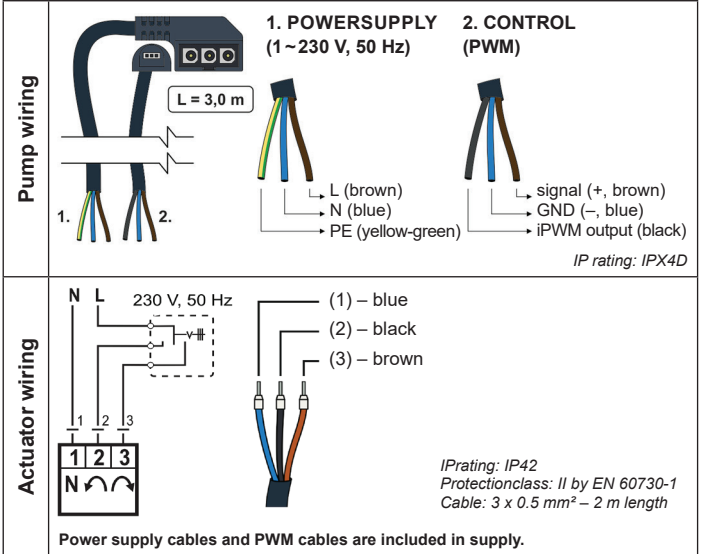
DATA SHEET

CSE MIX W-PWM 1F Pump Station

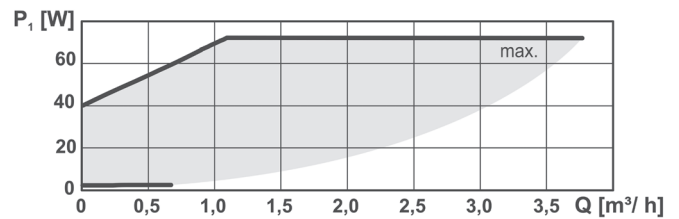
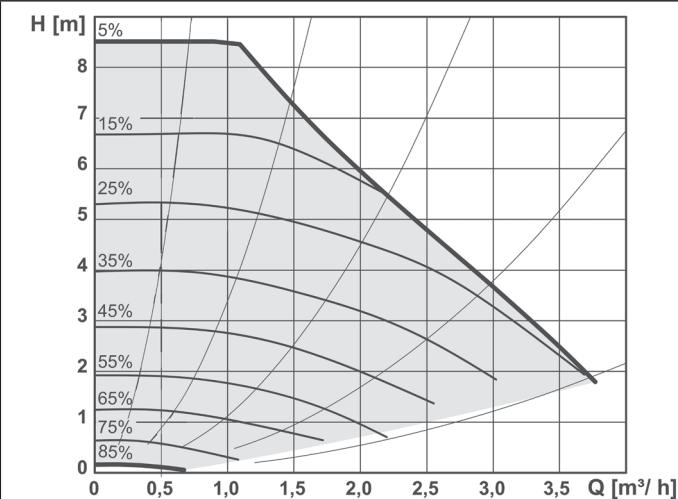
Pump Station Pressure Drop Graph



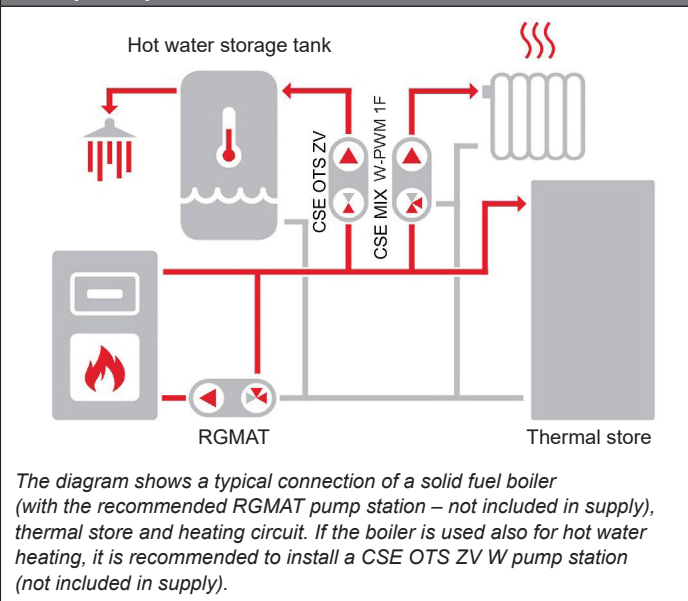
Pump and actuator wiring



Pump Performance Curves



Example of possible connection I



Example of possible connection II

