

DATA SHEET

CSE MIX-BP G60 1F Pump Station



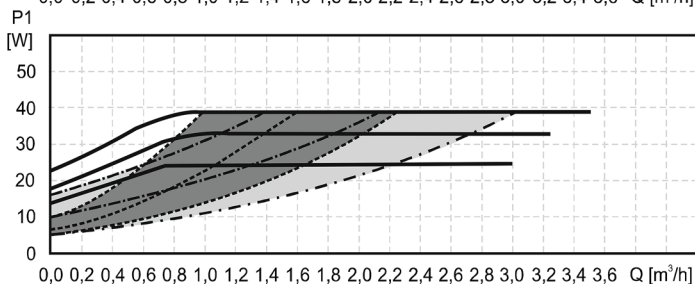
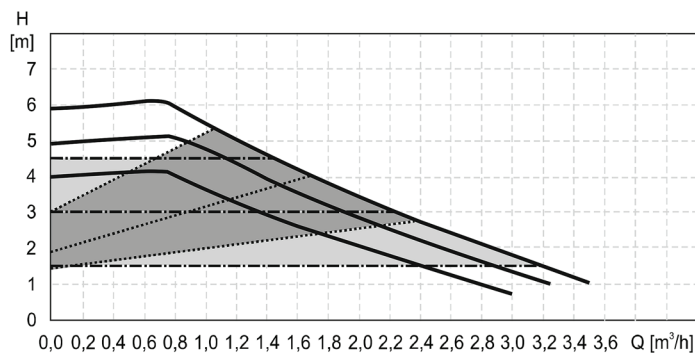
Main Features

Application	Providing circulation and mixing of a heating circuit or solid fuel fired source circuit. If needed, the mixing valve can be complemented with a Regulus actuator, type AVC, ACC or AHC, for codes see the Catalogue. Select the specific type and parameters of the actuator according to the controller installed.
Description	Consist of Grundfos UPM3 AUTO 25-60 pump, LK 840 3-way mixing valve w. AVC actuator, insulation.
Working fluid	Water; water-glycol mixture (max. 1:1) or water-glycerine mixture (max. 2:1).
Installation	Flow pipe to heating circuit / solid fuel boiler return pipe, min. pipe centre distance from wall is 100 mm.
Code	19102

Pump Station Data

Fluid working temperatur	5–95 °C
Max. working pressure	10 bar
Min. working pressure	0.5 bar
Ambient temperature	5–40 °C
Max. relative humidity	80 % non condensing
Mixing valve Kvs	10 m ³ /h
Mixing valve leak rate	< 1 % Kvs at 5 m H ₂ O pressure diff.
Power supply	230 V, 50 Hz
Power input (min./max.)	2/52 W
Current (min./max.)	0.04/0.5 A
Insulation material	EPP RG 60 g/l
Overall dimensions	305 x 140 x 160 mm
Total weight	3.9 kg
Connections	3 x G 1" F

Pump Performance Curves



- Constant speed
- - - Variable pressure
- · - Constant pressure

Selected profile signaling*



curve 1 (4 m)



curve 2 (5 m)



curve 3 (6 m)

* example for proportional pressure mode, for more see manual

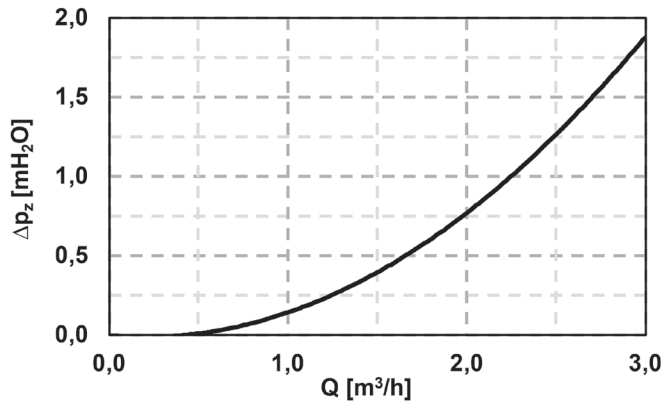
Curve	Max. H (upper graph)	Max. P ₁ (lower graph)
1	4 m	25 W
2	5 m	33 W
3	6 m	39 W

for constant speed mode

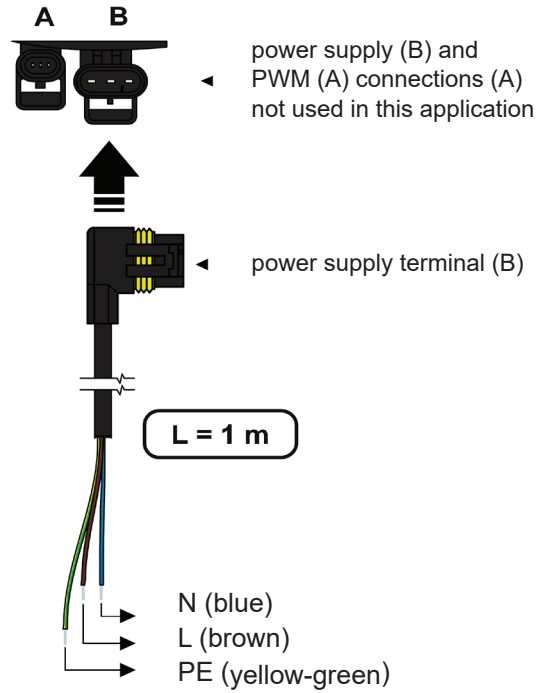
DATA SHEET

CSE MIX-BP G60 1F Pump Station

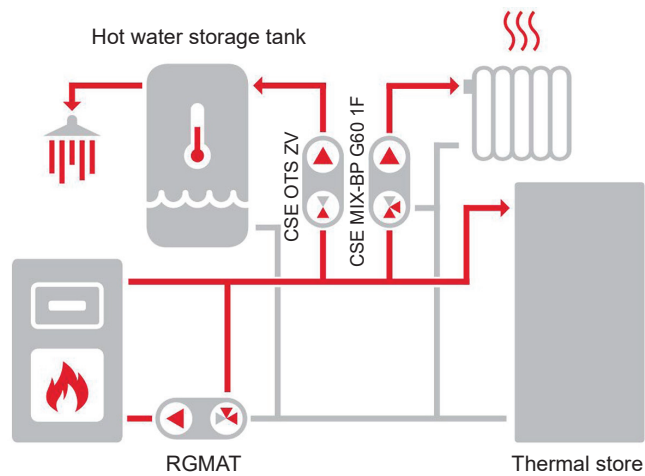
Pump Station Pressure Drop



Pump Electrical Wiring

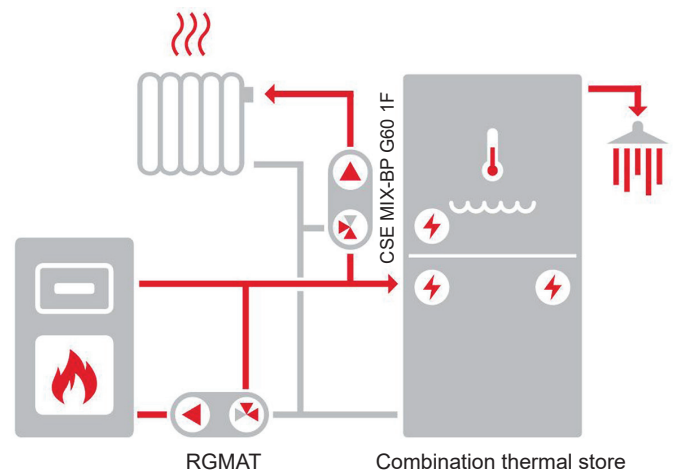


Example of possible connection I



The diagram shows a typical connection of a solid fuel boiler (with the recommended RGMAT pump station – not included in supply), thermal store and heating circuit. If the boiler is used also for hot water heating, it is recommended to install a CSE OTS ZV W pump station (not included in supply).

Example of possible connection II



The diagram shows a typical connection of a solid fuel boiler (with the recommended RGMAT pump station – not included in supply), combination thermal store and heating circuit.