

DATA SHEET
CSE MIX-BP G75 5/4F Pump Station

Main Features

| | |
|---------------|----------------------------------------------------------------------------------------------------------------------------------------------------------------------------------------------------------------------------------------------------------------------------------------------------------------------------------------------------------------------------------------------------------------------------------------------------------|
| Application | The pump station provides circulation and mixing of a heating circuit or solid fuel fired source circuit. Switching of the circulation pump is realized from an external controller (not included in supply). If needed, an actuator of the Regulus AVC, ACC, AHC type can be purchased for the mixing valve, see the Catalogue for the respective codes. Select the specific type and parameters of the actuator according to the installed controller. |
| Description | Consists of UPM3 Flex AS 25-75 130 pump, LK 840 3-way mixing valve, insulation. |
| Working fluid | Water; water-glycol mixture (max. 1:1) or water-glycerine mixture (max. 2:1) |
| Installation | On solid fuel boiler return pipe or flow pipe to heating circuit, min. pipe centre distance from wall is 100 mm. |
| Code | 18753 |

Pump Station Data

| | |
|------------------------|--------------------------------------------------|
| Fluid operating temp. | 5–95 °C |
| Max. working pressure | 10 bar |
| Min. working pressure | 0.5 bar |
| Ambient temperature | 5–40 °C |
| Max. relative humidity | 80 % non condensing |
| Valve Kvs | 16 m ³ /h |
| Valve leakage rate | < 1 % Kvs at 5 m H ₂ O pressure diff. |
| Pump max. speed | 5991 rpm |
| Overall dimensions | 325 x 140 x 160 mm |
| Total weight | 4.0 kg |
| Connection | 3 x G 5/4" F |

Electric Data

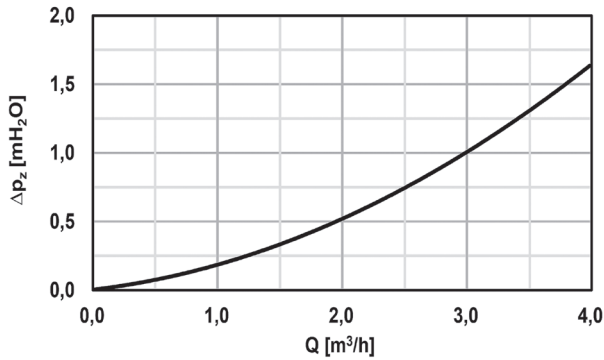
| | |
|-------------------------|--------------|
| Power supply | 230 V, 50 Hz |
| Power input (min./max.) | 2/60 W |
| Current (min./max) | 0.04/0.58 A |

Materials

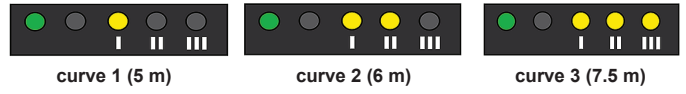
| | |
|-------------------------|---------------|
| Insulation material | EPP RG 60 g/l |
| Valve body and fittings | brass |

CSE MIX-BP G75 5/4F Pump Station

Pump station pressure drop diagram

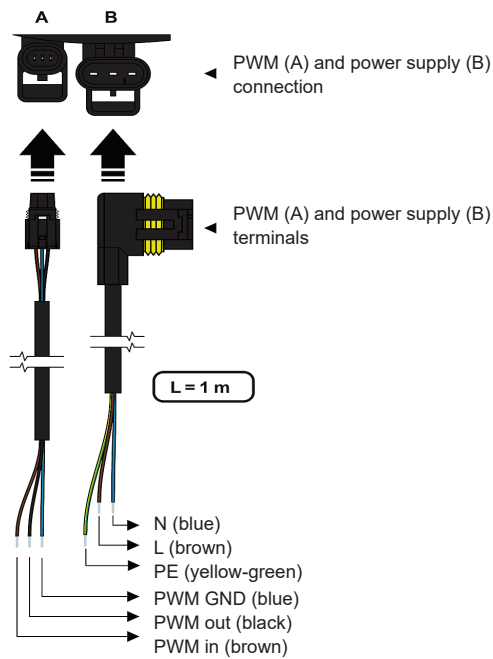


Selected profile display during pump operation



- The circulation pump can be controlled by an external PWM signal (profile for use in heating systems) or without a PWM signal by selecting a pump performance curve (see graph below).
- With no PWM signal the pump runs at max. speed according to the selected curve.
- With PWM signal the pump speed changes with the signal value up to the maximum of the selected curve.

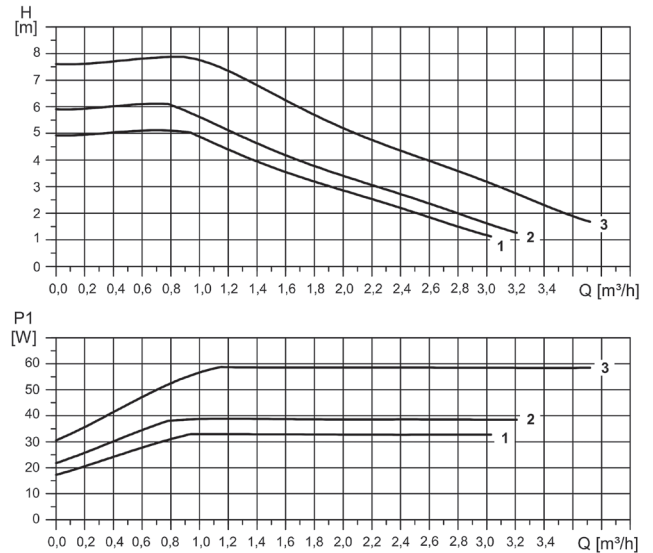
Connection of Pump



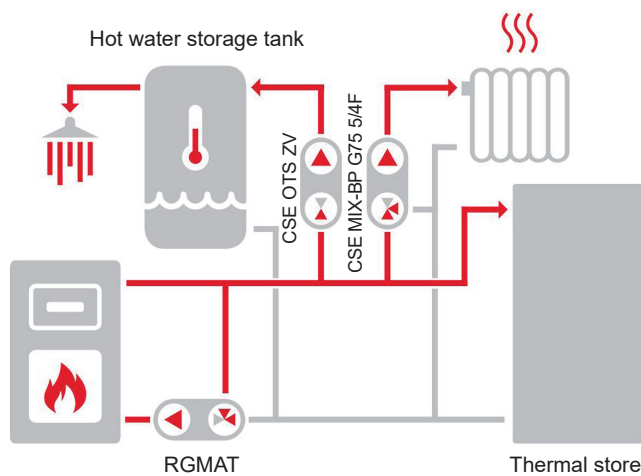
■ Power supply cables and PWM cables are included in supply.

Pump performance curves

| Curve | Max. H (upper graph) | Max. P ₁ (lower graph) |
|-------|----------------------|-----------------------------------|
| 1 | 5 m | 33 W |
| 2 | 6 m | 39 W |
| 3 | 7.5 m | 60 W |

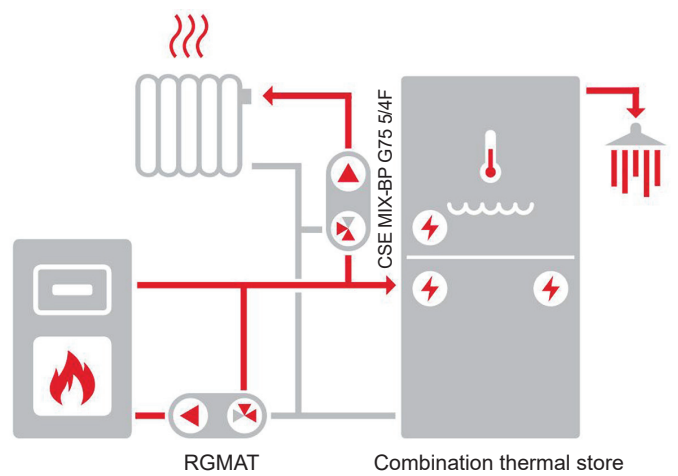


Example of possible connection I



The diagram shows a typical connection of a solid fuel boiler (with the recommended RGMAT pump station – not included in supply), thermal store and heating circuit. If the boiler is used also for hot water heating, it is recommended to install a CSE OTS ZV W pump station (not included in supply).

Example of possible connection II



The diagram shows a typical connection of a solid fuel boiler (with the recommended RGMAT pump station – not included in supply), combination thermal store and heating circuit.