

Thermal Stores



- **type PS**
- **type PS2F**
- **type PSWF**

CONTENTS

Thermal Stores with non-detachable insulation

PS 80 Z	4
PS 80 ZC	5
PS 100 IZ	6
PS 200 IZ	7

Thermal Stores

PS 600 ES+	8
PS 900 ES+	9
PS 1100 ES+	10
PS 500 E+	11
PS 750 E+	12
PS 1000 E+	13
PS 1100 E+	14
PS 1250 E+	15
PS 400 K+	16
PS 500 K+	17
PS 600 K+	18
PS 700 K+	19
PS 900 K+	20
PS 1100 K+	21
PS 200 N+	22
PS 300 N+	23
PS 400 N+	24
PS 500 N+	25
PS 600 N+	26
PS 700 N+	27
PS 800 N+	28
PS 900 N+	29
PS 1000 N+	30
PS 1100 N+	31
PS 1500 N+	32
PS 2000 N+	33
PS 500 N25	34
PS 1000 N25	35
PS 1500 N25	36
PS 2000 N25	37
PS 3000 N25	38
PS 4000 N25	39
PS 5000 N25	40

Thermal Stores with 2 flanged openings

PS2F 300 N+	41
PS2F 500 N+	42
PS2F 800 N+	43
PS2F 1000 N+	44
PS2F 1500 N+	45
PS2F 2000 N+	46
PS2F 3000 N25	47
PS2F 4000 N25	48
PS2F 5000 N25	49

Thermal Stores with heat exchanger and flanged opening

PSWF 300 N+	50
PSWF 500 N+	51
PSWF 800 N+	52
PSWF 1000 N+	53
PSWF 1500 N+	54
PSWF 2000 N+	55

STORAGE TANK

PS 80 Z

Storage tank code 18754

Including non-removable insulation

TECHNICAL DATA

Total storage tank volume	77 l
Max. working pressure in storage tank	3 bar
Tipping height	980 mm
Heating element max. length	635 mm

TAPPINGS

pos.	description	connect.
------	-------------	----------

HEAT SOURCES

B1	Supply from heat source	G 1" M
B2	Return to heat source	G 1" M

HEATING SYSTEM

H1	Supply to heat sink	G 1" M
H2	Return from heat sink	G 1" M

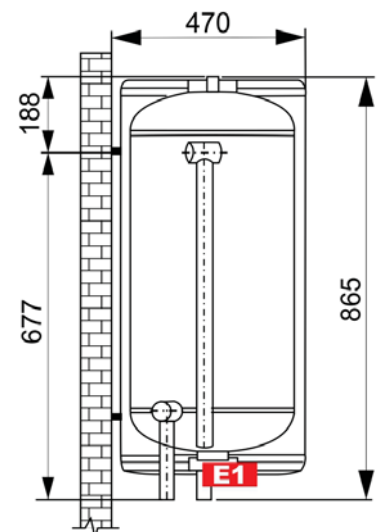
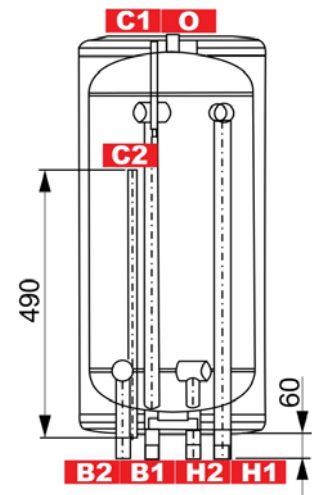
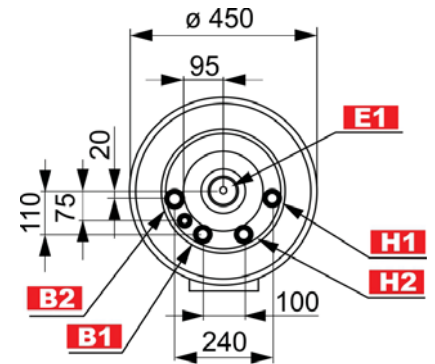
AUXILIARY HEAT SOURCE

E1	Electrical heating element	G 6/4" F
-----------	----------------------------	----------

CONTROL AND SAFETY

C1	Temperature sensor	12,6 mm
C2	Temperature sensor	12,6 mm
O	Air vent	G 1/2" F

* The minimum clearance under the tank when installing a 7.5 kW electric heater must be 650 mm.



Energy efficiency class with insulation:

C

STORAGE TANK

PS 80 ZC

Storage tank code 18932

Including non-removable insulation

TECHNICAL DATA

Total storage tank volume	77 l
Max. working pressure in storage tank	3 bar
Tipping height	980 mm
Heating element max. length	635 mm

TAPPINGS

pos.	description	connect.
------	-------------	----------

HEAT SOURCES

B1	Supply from heat source	G 1" M
B2	Return to heat source	G 1" M

HEATING SYSTEM

H1	Supply to heat sink	G 1" M
H2	Return from heat sink	G 1" M

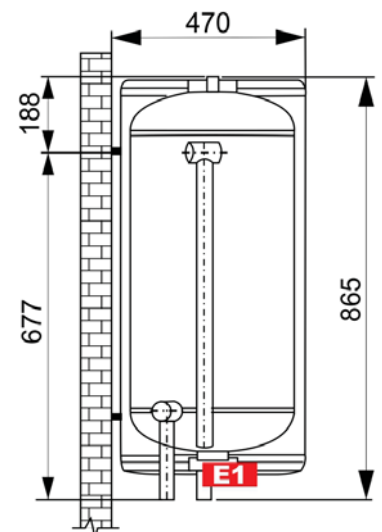
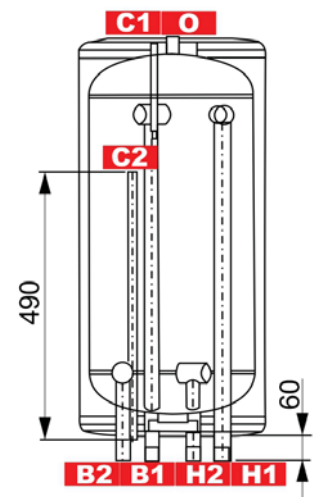
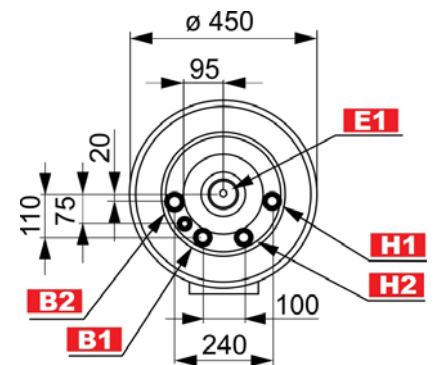
AUXILIARY HEAT SOURCE

E1	Electrical heating element	G 6/4" F
-----------	----------------------------	----------

CONTROL AND SAFETY

C1	Temperature sensor	12,6 mm
C2	Temperature sensor	12,6 mm
O	Air vent	G 1/2" F

* The minimum clearance under the tank when installing a 7.5 kW electric heater must be 650 mm.



Energy efficiency class with insulation:

C

STORAGE TANK

PS 100 IZ

Storage tank code 19769

Including non-removable insulation

TECHNICAL DATA

Total storage tank volume	99 l
Max. working pressure in storage tank	3 bar
Tipping height	1030 mm
Heating element max. length	500 mm

TAPPINGS

pos.	description	connect.	height [mm]
------	-------------	----------	-------------

HEAT SOURCES

B1	Supply from heat source	G 6/4" F	605
B2	Return to heat source	G 6/4" F	185

HEATING SYSTEM

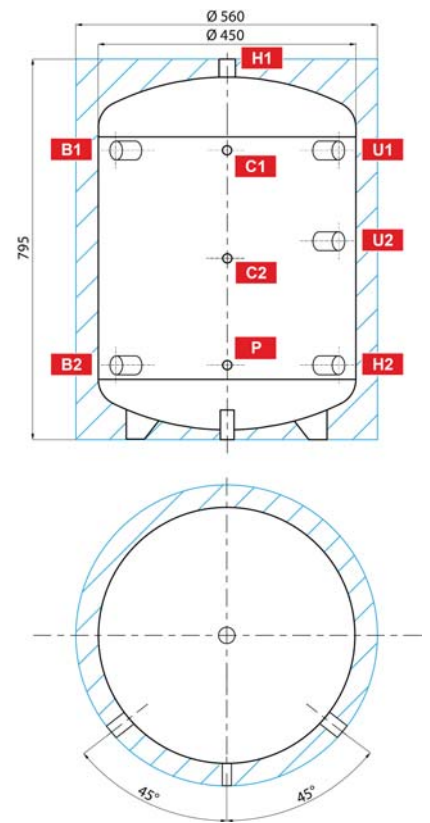
H1	Supply to heat sink	G 5/4" F	795
H2	Return from heat sink	G 6/4" F	185

CONTROL AND SAFETY

C1	Temperature sensor	G 1/2" F	605
C2	Temperature sensor	G 1/2" F	395
P	Safety valve	G 1/2" F	185

UNIVERSAL INLET/OUTLET

U1	Universal inlet/outlet	G 6/4" F	605
U2	Universal inlet/outlet	G 6/4" F	445



Energy efficiency class with insulation:

A

STORAGE TANK

PS 200 IZ

Storage tank code 19770
Including non-removable insulation

TECHNICAL DATA

Total storage tank volume **204 l**
Max. working pressure in storage tank **3 bar**
Tipping height **1620 mm**
Heating element max. length **500 mm**

TAPPINGS

pos.	description	connect.	height [mm]
------	-------------	----------	-------------

HEAT SOURCES

B1	Supply from heat source	G 6/4" F	1285
B2	Return to heat source	G 6/4" F	185

HEATING SYSTEM

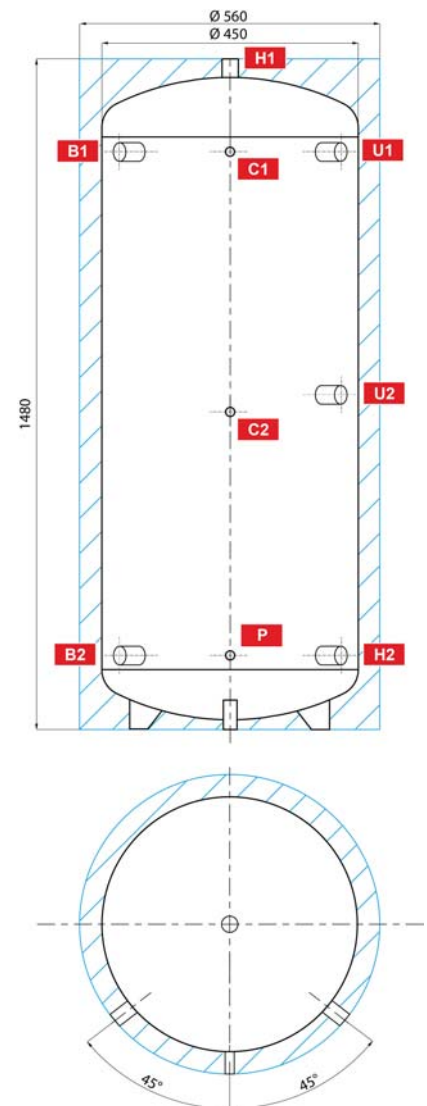
H1	Supply to heat sink	G 5/4" F	1480
H2	Return from heat sink	G 6/4" F	185

CONTROL AND SAFETY

C1	Temperature sensor	G 1/2" F	1285
C2	Temperature sensor	G 1/2" F	735
P	Safety valve	G 1/2" F	185

UNIVERSAL INLET/OUTLET

U1	Universal inlet/outlet	G 6/4" F	1285
U2	Universal inlet/outlet	G 6/4" F	785



Energy efficiency class with insulation:

B

STORAGE TANK

PS 600 ES+

Storage tank code **15527**
 Insulation code **19310**

TECHNICAL DATA

Total storage tank volume **560 l**
 Max. working pressure in storage tank **3 bar**
 Tipping height without insulation **1960 mm**
 Heating element max. length **700 mm**

TAPPINGS

pos.	description	connect.	height [mm]
------	-------------	----------	-------------

HEATING SYSTEM

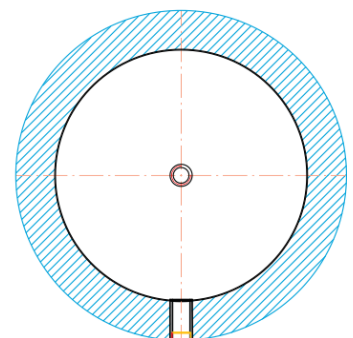
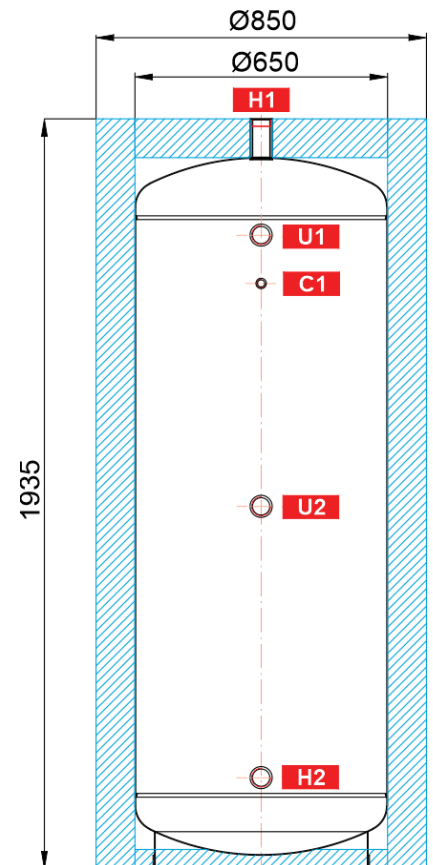
H1	Supply to heat sink	G 6/4" F	1935
H2	Return from heat sink	G 6/4" F	235

CONTROL AND SAFETY

C1	Temperature sensor	G 1/2" F	1510
-----------	--------------------	----------	------

UNIVERSAL INLET/OUTLET

U1	Universal inlet/outlet	G 6/4" F	1635
U2	Universal inlet/outlet	G 6/4" F	935



Energy efficiency class with insulation: N/A

STORAGE TANK

PS 900 ES+

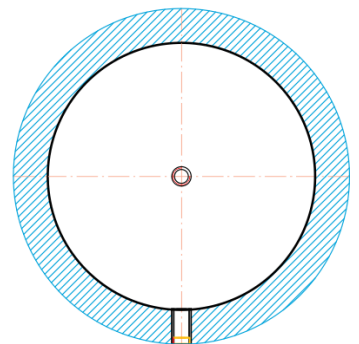
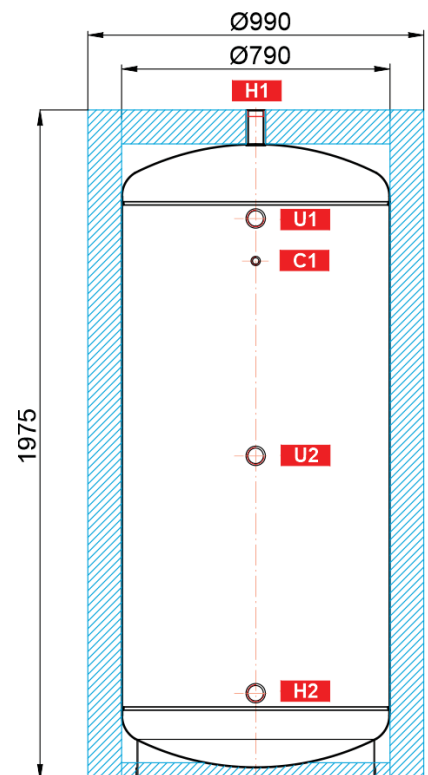
Storage tank code	15530
Insulation code	19301

TECHNICAL DATA

Total storage tank volume	860 l
Max. working pressure in storage tank	3 bar
Tipping height without insulation	2015 mm
Heating element max. length	815 mm

TAPPINGS

pos.	description	connect.	height [mm]
HEATING SYSTEM			
H1	Supply to heat sink	G 6/4" F	1975
H2	Return from heat sink	G 6/4" F	255
CONTROL AND SAFETY			
C1	Temperature sensor	G 1/2" F	1530
UNIVERSAL INLET/OUTLET			
U1	Universal inlet/outlet	G 6/4" F	1655
U2	Universal inlet/outlet	G 6/4" F	955



Energy efficiency class with insulation: N/A

THERMAL STORE

PS 1100 ES+

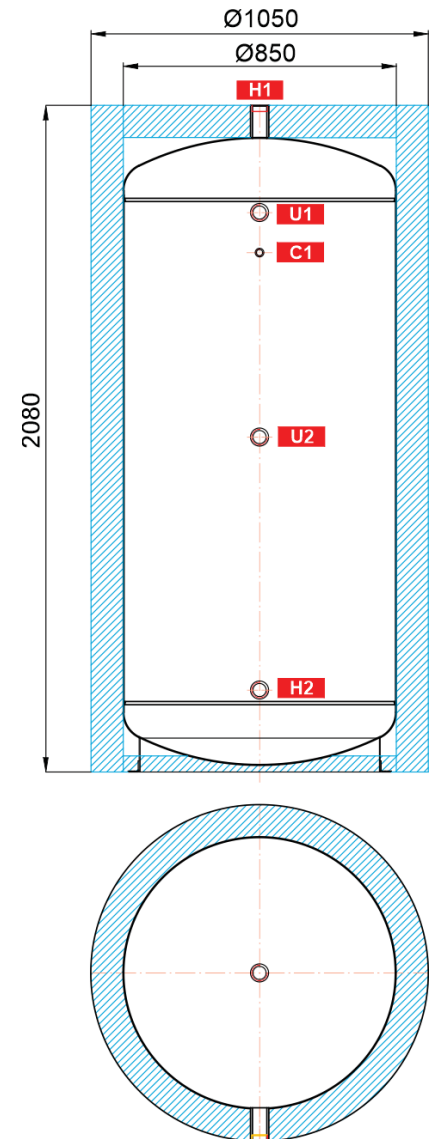
Thermal store code 15956
Insulation code 19315

TECHNICAL DATA

Total thermal store volume **1037 l**
 Max. working pressure in thermal store **4 bar**
 Tipping height without insulation **2335 mm**
 Heating element max. length **815 mm**

CONNECTIONS

pos.	description	connect.	height [mm]
HEATING SYSTEM			
H1	Flow to heating system	G 6/4" F	2080
H2	Return from heating system	G 6/4" F	255
CONTROL AND SAFETY			
C1	Temperature sensor	G 1/2" F	1620
UNIVERSAL INLET/OUTLET			
U1	Universal inlet/outlet	G 6/4" F	1745
U2	Universal inlet/outlet	G 6/4" F	1045



Energy efficiency class with insulation:

N/A

STORAGE TANK

PS 500 E+

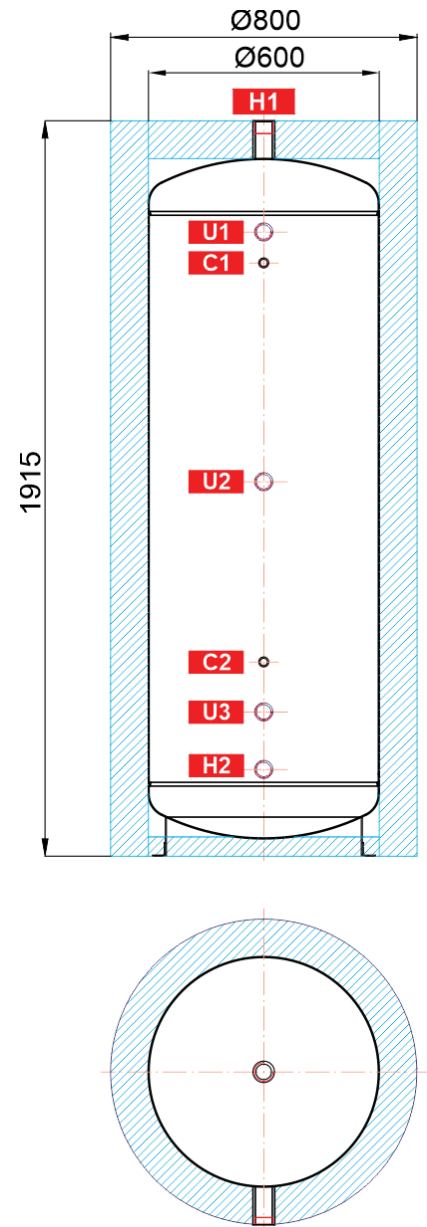
Storage tank code 14754
Insulation code 19319

TECHNICAL DATA

Total storage tank volume **473 l**
 Max. working pressure in storage tank **4 bar**
 Tipping height without insulation **1940 mm**
 Heating element max. length **680 mm**

TAPPINGS

pos.	description	connect.	height [mm]
HEATING SYSTEM			
H1	Supply to heat sink	G 6/4" F	1915
H2	Return from heat sink	G 6/4" F	225
CONTROL AND SAFETY			
C1	Temperature sensor	G 1/2" F	1545
C2	Temperature sensor	G 1/2" F	505
UNIVERSAL INLET/OUTLET			
U1	Universal inlet/outlet	G 6/4" F	1625
U2	Universal inlet/outlet	G 6/4" F	975
U3	Universal inlet/outlet	G 6/4" F	375



Energy efficiency class with insulation:

C

STORAGE TANK

PS 750 E+

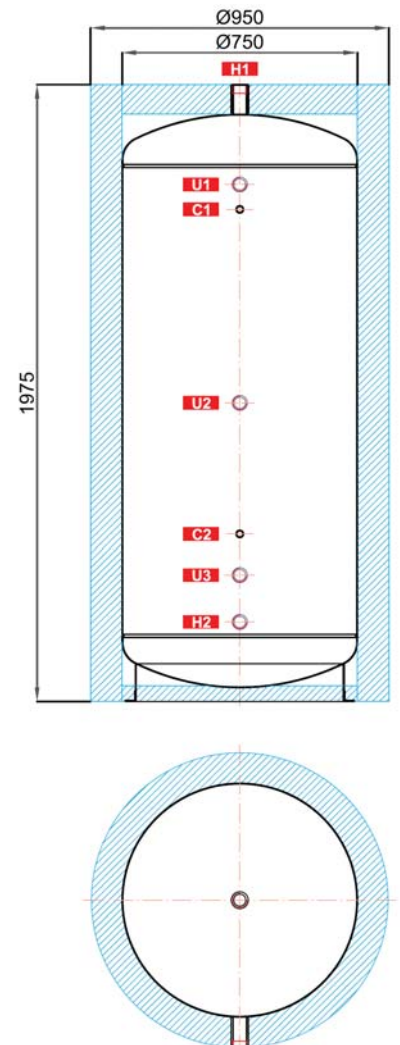
Storage tank code **15212**
 Insulation code **19309**

TECHNICAL DATA

Total storage tank volume **756 l**
 Max. working pressure in storage tank **4 bar**
 Tipping height without insulation **2020 mm**
 Heating element max. length **755 mm**

TAPPINGS

pos.	description	connect.	height [mm]
HEATING SYSTEM			
H1	Supply to heat sink	G 6/4" F	1975
H2	Return from heat sink	G 6/4" F	255
CONTROL AND SAFETY			
C1	Temperature sensor	G 1/2" F	1575
C2	Temperature sensor	G 1/2" F	535
UNIVERSAL INLET/OUTLET			
U1	Universal inlet/outlet	G 6/4" F	1655
U2	Universal inlet/outlet	G 6/4" F	955
U3	Universal inlet/outlet	G 6/4" F	405



Energy efficiency class with insulation:

N/A

STORAGE TANK

PS 1000 E+

Storage tank code	15851
Insulation code	19313

TECHNICAL DATA

Total storage tank volume	927 l
Max. working pressure in storage tank	4 bar
Tipping height without insulation	2120 mm
Heating element max. length	815 mm

TAPPINGS

pos.	description	connect.	height [mm]
------	-------------	----------	-------------

HEATING SYSTEM

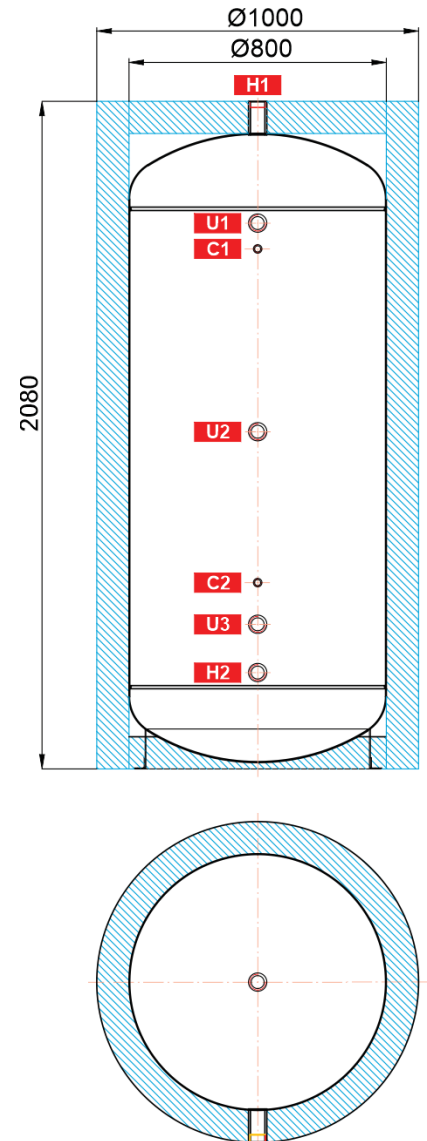
H1	Supply to heat sink	G 6/4" F	2080
H2	Return from heat sink	G 6/4" F	300

CONTROL AND SAFETY

C1	Temperature sensor	G 1/2" F	1620
C2	Temperature sensor	G 1/2" F	580

UNIVERSAL INLET/OUTLET

U1	Universal inlet/outlet	G 6/4" F	1700
U2	Universal inlet/outlet	G 6/4" F	1050
U3	Universal inlet/outlet	G 6/4" F	450



Energy efficiency class with insulation: N/A

STORAGE TANK

PS 1100 E+

Storage tank code 15215
Insulation code 19335

TECHNICAL DATA

Total storage tank volume **1038 l**
 Max. working pressure in storage tank **4 bar**
 Tipping height without insulation **2130 mm**
 Heating element max. length **815 mm**

TAPPINGS

pos.	description	connect.	height [mm]
------	-------------	----------	-------------

HEATING SYSTEM

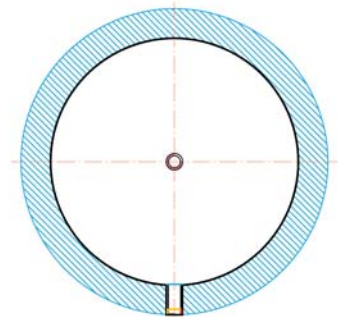
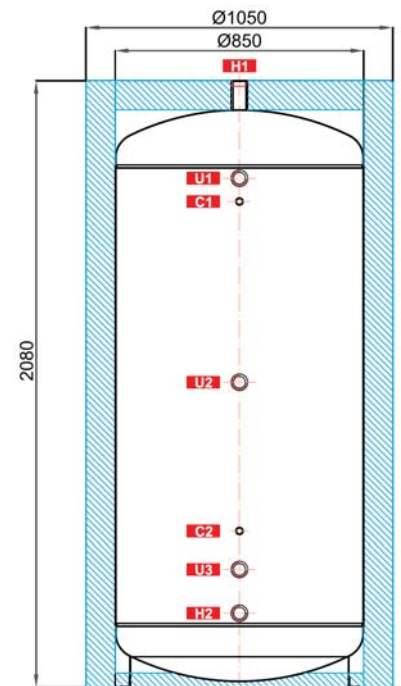
H1	Supply to heat sink	G 6/4" F	2080
H2	Return from heat sink	G 6/4" F	255

CONTROL AND SAFETY

C1	Temperature sensor	G 1/2" F	1665
C2	Temperature sensor	G 1/2" F	535

UNIVERSAL INLET/OUTLET

U1	Universal inlet/outlet	G 6/4" F	1745
U2	Universal inlet/outlet	G 6/4" F	1045
U3	Universal inlet/outlet	G 6/4" F	405



Energy efficiency class with insulation:

N/A

STORAGE TANK

PS 1250 E+

Storage tank code 15992
Insulation code 19324

TECHNICAL DATA

Total storage tank volume **1260 l**
 Max. working pressure in storage tank **3 bar**
 Tipping height without insulation **2120 mm**
 Heating element max. length **955 mm**

TAPPINGS

pos.	description	connect.	height [mm]
------	-------------	----------	-------------

HEATING SYSTEM

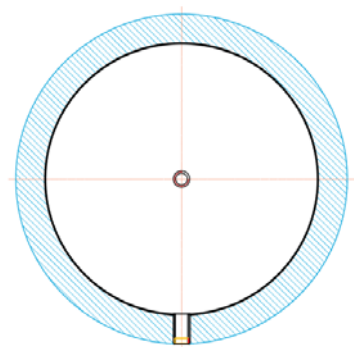
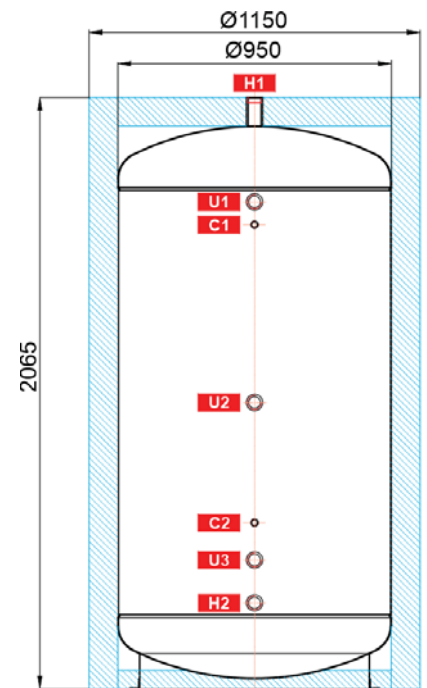
H1	Supply to heat sink	G 6/4" F	2065
H2	Return from heat sink	G 6/4" F	300

CONTROL AND SAFETY

C1	Temperature sensor	G 1/2" F	1620
C2	Temperature sensor	G 1/2" F	580

UNIVERSAL INLET/OUTLET

U1	Universal inlet/outlet	G 6/4" F	1700
U2	Universal inlet/outlet	G 6/4" F	1000
U3	Universal inlet/outlet	G 6/4" F	450



Energy efficiency class with insulation:

N/A

STORAGE TANK

PS 400 K+

Storage tank code 15285
Insulation code 19338

TECHNICAL DATA

Total storage tank volume **403 l**
 Max. working pressure in storage tank **4 bar**
 Tipping height without insulation **1700 mm**
 Heating element max. length **680 mm**

TAPPINGS

pos.	description	connect.	height [mm]
------	-------------	----------	-------------

HEAT SOURCES

B1	Supply from heat source	G 6/4" F	1365
B2	Return to heat source	G 6/4" F	225

HEATING SYSTEM

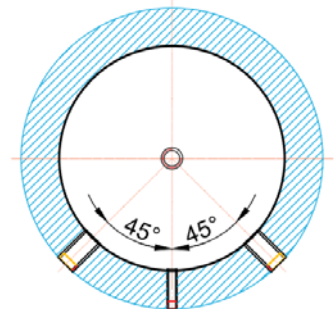
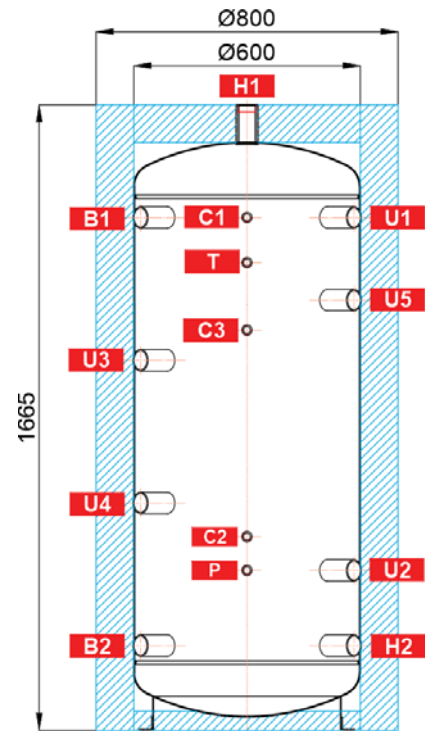
H1	Supply to heat sink	G 6/4" F	1665
H2	Return from heat sink	G 6/4" F	255

CONTROL AND SAFETY

C1	Temperature sensor	G 1/2" F	1365
C2	Temperature sensor	G 1/2" F	515
C3	Temperature sensor	G 1/2" F	1065
T	Thermometer	G 1/2" F	1245
P	Safety valve	G 1/2" F	425

UNIVERSAL INLET/OUTLET

U1	Universal inlet/outlet	G 6/4" F	1365
U2	Universal inlet/outlet	G 6/4" F	425
U3	Universal inlet/outlet	G 6/4" F	985
U4	Universal inlet/outlet	G 6/4" F	605
U5	Universal inlet/outlet	G 6/4" F	1145



Energy efficiency class with insulation:

C

STORAGE TANK

PS 500 K+

Storage tank code 15288
Insulation code 19307

TECHNICAL DATA

Total storage tank volume **477 l**
 Max. working pressure in storage tank **4 bar**
 Tipping height without insulation **1720 mm**
 Heating element max. length **700 mm**

TAPPINGS

pos.	description	connect.	height [mm]
------	-------------	----------	-------------

HEAT SOURCES

B1	Supply from heat source	G 6/4" F	1375
B2	Return to heat source	G 6/4" F	235

HEATING SYSTEM

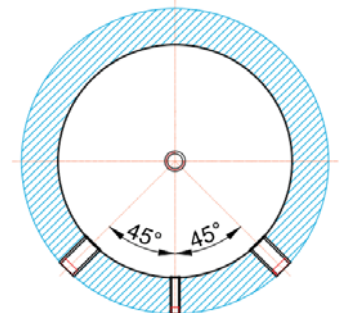
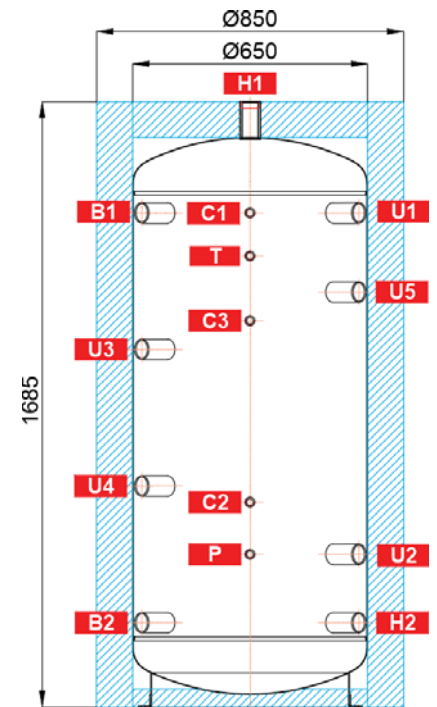
H1	Supply to heat sink	G 6/4" F	1685
H2	Return from heat sink	G 6/4" F	235

CONTROL AND SAFETY

C1	Temperature sensor	G 1/2" F	1375
C2	Temperature sensor	G 1/2" F	570
C3	Temperature sensor	G 1/2" F	1075
T	Thermometer	G 1/2" F	1255
P	Safety valve	G 1/2" F	425

UNIVERSAL INLET/OUTLET

U1	Universal inlet/outlet	G 6/4" F	1375
U2	Universal inlet/outlet	G 6/4" F	425
U3	Universal inlet/outlet	G 6/4" F	995
U4	Universal inlet/outlet	G 6/4" F	615
U5	Universal inlet/outlet	G 6/4" F	1155



Energy efficiency class with insulation:

C

STORAGE TANK

PS 600 K+

Storage tank code 15291
Insulation code 19314

TECHNICAL DATA

Total storage tank volume **560 l**
 Max. working pressure in storage tank **4 bar**
 Tipping height without insulation **1750 mm**
 Heating element max. length **755 mm**

TAPPINGS

pos.	description	connect.	height [mm]
------	-------------	----------	-------------

HEAT SOURCES

B1	Supply from heat source	G 6/4" F	1385
B2	Return to heat source	G 6/4" F	245

HEATING SYSTEM

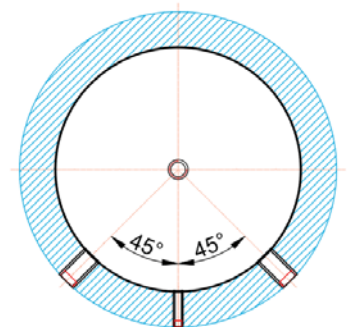
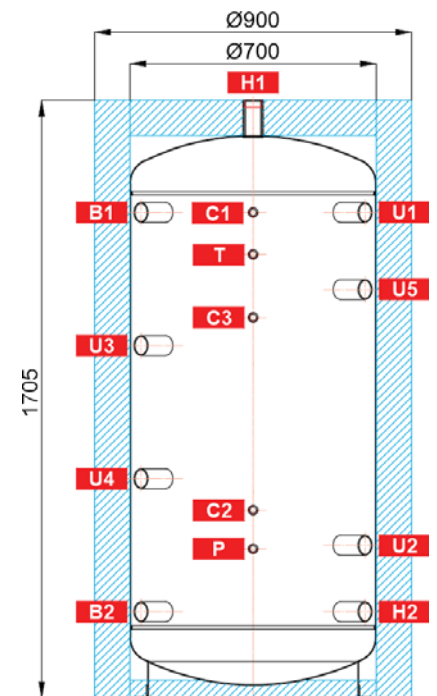
H1	Supply to heat sink	G 6/4" F	1705
H2	Return from heat sink	G 6/4" F	245

CONTROL AND SAFETY

C1	Temperature sensor	G 1/2" F	1385
C2	Temperature sensor	G 1/2" F	535
C3	Temperature sensor	G 1/2" F	1085
T	Thermometer	G 1/2" F	1265
P	Safety valve	G 1/2" F	425

UNIVERSAL INLET/OUTLET

U1	Universal inlet/outlet	G 6/4" F	1385
U2	Universal inlet/outlet	G 6/4" F	435
U3	Universal inlet/outlet	G 6/4" F	1005
U4	Universal inlet/outlet	G 6/4" F	625
U5	Universal inlet/outlet	G 6/4" F	1165



Energy efficiency class with insulation:

N/A

STORAGE TANK

PS 700 K+

Storage tank code 15294
Insulation code 19300

TECHNICAL DATA

Total storage tank volume **737 l**
 Max. working pressure in storage tank **4 bar**
 Tipping height without insulation **1780 mm**
 Heating element max. length **815 mm**

TAPPINGS

pos.	description	connect.	height [mm]
------	-------------	----------	-------------

HEAT SOURCES

B1	Supply from heat source	G 6/4" F	1395
B2	Return to heat source	G 6/4" F	255

HEATING SYSTEM

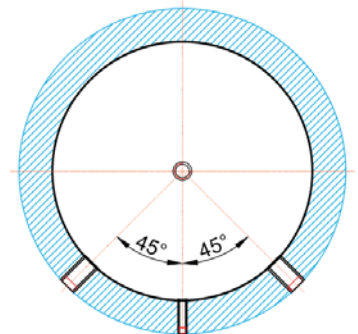
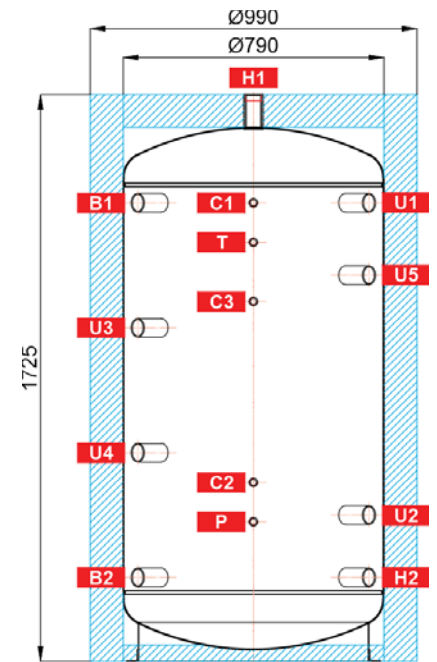
H1	Supply to heat sink	G 6/4" F	1725
H2	Return from heat sink	G 6/4" F	255

CONTROL AND SAFETY

C1	Temperature sensor	G 1/2" F	1395
C2	Temperature sensor	G 1/2" F	545
C3	Temperature sensor	G 1/2" F	1095
T	Thermometer	G 1/2" F	1275
P	Safety valve	G 1/2" F	425

UNIVERSAL INLET/OUTLET

U1	Universal inlet/outlet	G 6/4" F	1395
U2	Universal inlet/outlet	G 6/4" F	445
U3	Universal inlet/outlet	G 6/4" F	1015
U4	Universal inlet/outlet	G 6/4" F	635
U5	Universal inlet/outlet	G 6/4" F	1175



Energy efficiency class with insulation:

N/A

STORAGE TANK

PS 900 K+

Storage tank code 15297
Insulation code 19326

TECHNICAL DATA

Total storage tank volume **861 l**
 Max. working pressure in storage tank **4 bar**
 Tipping height without insulation **1820 mm**
 Heating element max. length **815 mm**

TAPPINGS

pos.	description	connect.	height [mm]
------	-------------	----------	-------------

HEAT SOURCES

B1	Supply from heat source	G 6/4" F	1415
B2	Return to heat source	G 6/4" F	275

HEATING SYSTEM

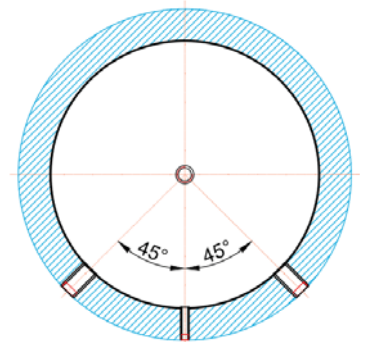
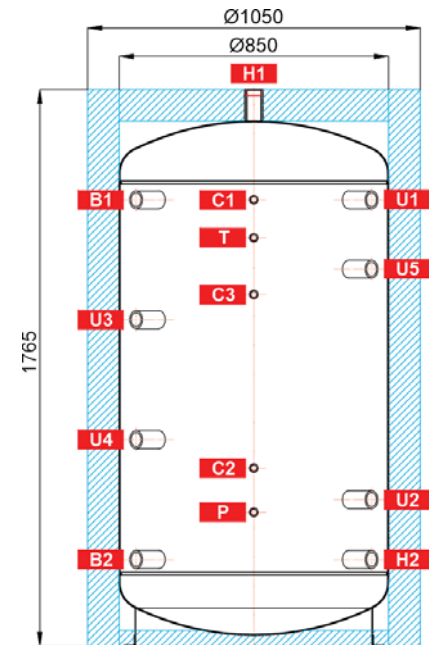
H1	Supply to heat sink	G 6/4" F	1765
H2	Return from heat sink	G 6/4" F	275

CONTROL AND SAFETY

C1	Temperature sensor	G 1/2" F	1415
C2	Temperature sensor	G 1/2" F	565
C3	Temperature sensor	G 1/2" F	1115
T	Thermometer	G 1/2" F	1295
P	Safety valve	G 1/2" F	425

UNIVERSAL INLET/OUTLET

U1	Universal inlet/outlet	G 6/4" F	1415
U2	Universal inlet/outlet	G 6/4" F	465
U3	Universal inlet/outlet	G 6/4" F	1035
U4	Universal inlet/outlet	G 6/4" F	655
U5	Universal inlet/outlet	G 6/4" F	1195



Energy efficiency class with insulation:

N/A

STORAGE TANK

PS 1100 K+

Storage tank code 16119
Insulation code 19323

TECHNICAL DATA

Total storage tank volume **1085 l**
 Max. working pressure in storage tank **3 bar**
 Tipping height without insulation **1850 mm**
 Heating element max. length **955 mm**

TAPPINGS

pos.	description	connect.	height [mm]
------	-------------	----------	-------------

HEAT SOURCES

B1	Supply from heat source	G 6/4" F	1435
B2	Return to heat source	G 6/4" F	300

HEATING SYSTEM

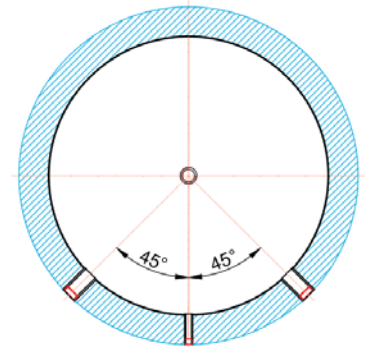
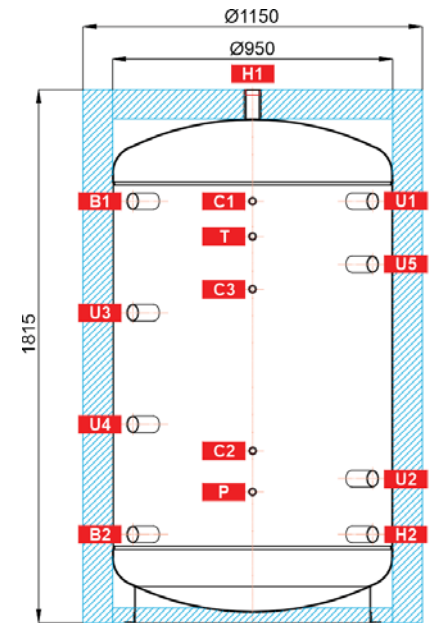
H1	Supply to heat sink	G 6/4" F	1815
H2	Return from heat sink	G 6/4" F	300

CONTROL AND SAFETY

C1	Temperature sensor	G 1/2" F	1435
C2	Temperature sensor	G 1/2" F	585
C3	Temperature sensor	G 1/2" F	1135
T	Thermometer	G 1/2" F	1315
P	Safety valve	G 1/2" F	445

UNIVERSAL INLET/OUTLET

U1	Universal inlet/outlet	G 6/4" F	1435
U2	Universal inlet/outlet	G 6/4" F	490
U3	Universal inlet/outlet	G 6/4" F	1055
U4	Universal inlet/outlet	G 6/4" F	675
U5	Universal inlet/outlet	G 6/4" F	1220



Energy efficiency class with insulation:

N/A

STORAGE TANK

PS 200 N+

Storage tank code 14717
Insulation code 19295

TECHNICAL DATA

Total storage tank volume **181 l**
 Max. working pressure in storage tank **4 bar**
 Tipping height without insulation **1370 mm**
 Heating element max. length **500 mm**

TAPPINGS

pos.	description	connect.	height [mm]
------	-------------	----------	-------------

HEAT SOURCES

B1	Supply from heat source	G 6/4" F	1093
B2	Return to heat source	G 6/4" F	193

HEATING SYSTEM

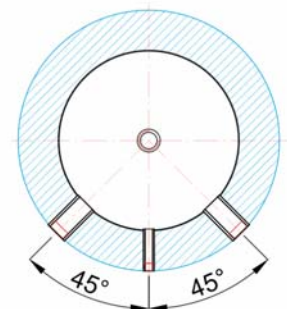
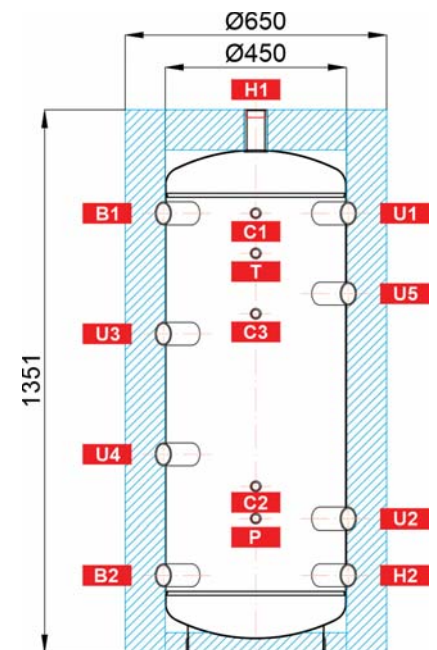
H1	Supply to heat sink	G 6/4" F	1351
H2	Return from heat sink	G 6/4" F	193

CONTROL AND SAFETY

C1	Temperature sensor	G 1/2" F	1093
C2	Temperature sensor	G 1/2" F	413
C3	Temperature sensor	G 1/2" F	843
T	Thermometer	G 1/2" F	993
P	Safety valve	G 1/2" F	333

UNIVERSAL INLET/OUTLET

U1	Universal inlet/outlet	G 6/4" F	1093
U2	Universal inlet/outlet	G 6/4" F	333
U3	Universal inlet/outlet	G 6/4" F	793
U4	Universal inlet/outlet	G 6/4" F	493
U5	Universal inlet/outlet	G 6/4" F	893



Energy efficiency class with insulation:

C

STORAGE TANK

PS 300 N+

Storage tank code 14720
Insulation code 19048

TECHNICAL DATA

Total storage tank volume **280 l**
 Max. working pressure in storage tank **4 bar**
 Tipping height without insulation **1435 mm**
 Heating element max. length **635 mm**

TAPPINGS

pos.	description	connect.	height [mm]
------	-------------	----------	-------------

HEAT SOURCES

B1	Supply from heat source	G 6/4" F	1120
B2	Return to heat source	G 6/4" F	220

HEATING SYSTEM

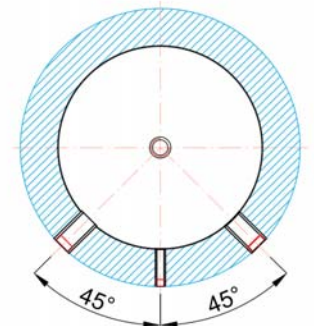
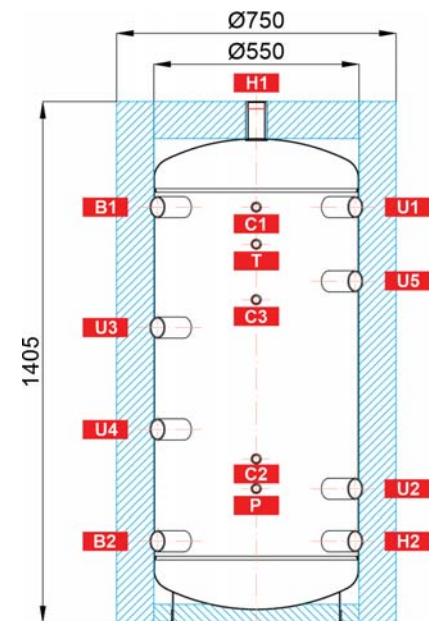
H1	Supply to heat sink	G 6/4" F	1405
H2	Return from heat sink	G 6/4" F	220

CONTROL AND SAFETY

C1	Temperature sensor	G 1/2" F	1120
C2	Temperature sensor	G 1/2" F	440
C3	Temperature sensor	G 1/2" F	870
T	Thermometer	G 1/2" F	1020
P	Safety valve	G 1/2" F	360

UNIVERSAL INLET/OUTLET

U1	Universal inlet/outlet	G 6/4" F	1120
U2	Universal inlet/outlet	G 6/4" F	360
U3	Universal inlet/outlet	G 6/4" F	795
U4	Universal inlet/outlet	G 6/4" F	520
U5	Universal inlet/outlet	G 6/4" F	920



Energy efficiency class with insulation:

C

STORAGE TANK

PS 400 N+

Storage tank code **13783**
 Insulation code **19304**

TECHNICAL DATA

Total storage tank volume **397 l**
 Max. working pressure in storage tank **4 bar**
 Tipping height without insulation **1930 mm**
 Heating element max. length **635 mm**

TAPPINGS

pos.	description	connect.	height [mm]
------	-------------	----------	-------------

HEAT SOURCES

B1	Supply from heat source	G 6/4" F	1610
B2	Return to heat source	G 6/4" F	220

HEATING SYSTEM

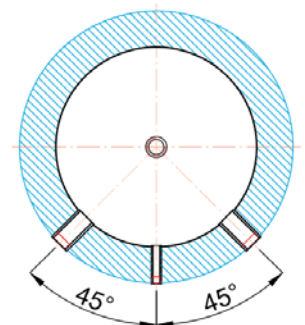
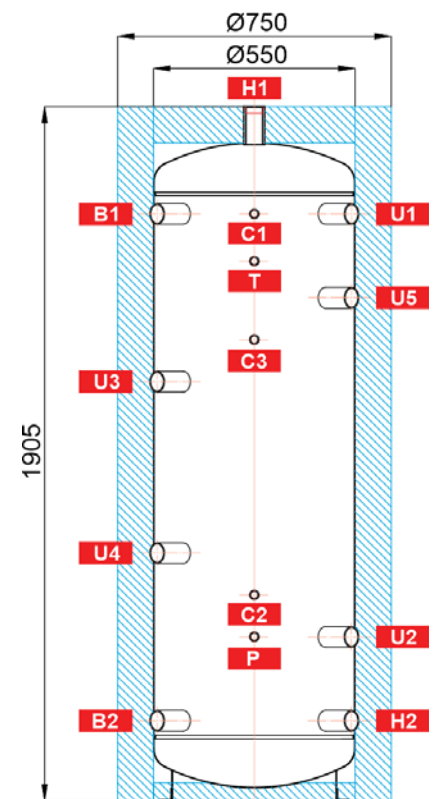
H1	Supply to heat sink	G 6/4" F	1905
H2	Return from heat sink	G 6/4" F	220

CONTROL AND SAFETY

C1	Temperature sensor	G 1/2" F	1610
C2	Temperature sensor	G 1/2" F	565
C3	Temperature sensor	G 1/2" F	1265
T	Thermometer	G 1/2" F	1480
P	Safety valve	G 1/2" F	450

UNIVERSAL INLET/OUTLET

U1	Universal inlet/outlet	G 6/4" F	1610
U2	Universal inlet/outlet	G 6/4" F	450
U3	Universal inlet/outlet	G 6/4" F	1150
U4	Universal inlet/outlet	G 6/4" F	680
U5	Universal inlet/outlet	G 6/4" F	1380



Energy efficiency class with insulation:

A

STORAGE TANK

PS 500 N+

Storage tank code **14723**
 Insulation code **19296**

TECHNICAL DATA

Total storage tank volume **474 l**
 Max. working pressure in storage tank **4 bar**
 Tipping height without insulation **1940 mm**
 Heating element max. length **680 mm**

TAPPINGS

pos.	description	connect.	height [mm]
------	-------------	----------	-------------

HEAT SOURCES

B1	Supply from heat source	G 6/4" F	1615
B2	Return to heat source	G 6/4" F	225

HEATING SYSTEM

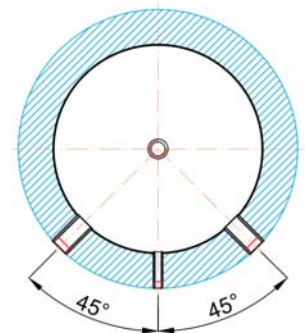
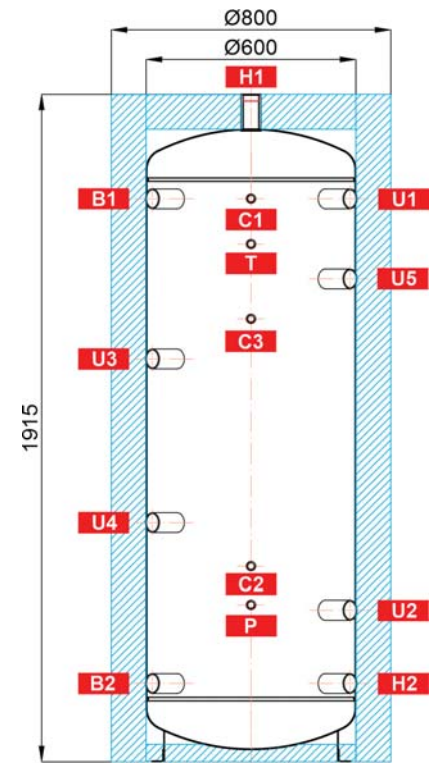
H1	Supply to heat sink	G 6/4" F	1915
H2	Return from heat sink	G 6/4" F	225

CONTROL AND SAFETY

C1	Temperature sensor	G 1/2" F	1615
C2	Temperature sensor	G 1/2" F	560
C3	Temperature sensor	G 1/2" F	1270
T	Thermometer	G 1/2" F	1485
P	Safety valve	G 1/2" F	450

UNIVERSAL INLET/OUTLET

U1	Universal inlet/outlet	G 6/4" F	1615
U2	Universal inlet/outlet	G 6/4" F	435
U3	Universal inlet/outlet	G 6/4" F	1155
U4	Universal inlet/outlet	G 6/4" F	685
U5	Universal inlet/outlet	G 6/4" F	1385



Energy efficiency class with insulation:

C

STORAGE TANK

PS 600 N+

Storage tank code 15135
Insulation code 19322

TECHNICAL DATA

Total storage tank volume **560 l**
 Max. working pressure in storage tank **4 bar**
 Tipping height without insulation **1965 mm**
 Heating element max. length **700 mm**

TAPPINGS

pos.	description	connect.	height [mm]
------	-------------	----------	-------------

HEAT SOURCES

B1	Supply from heat source	G 6/4" F	1625
B2	Return to heat source	G 6/4" F	235

HEATING SYSTEM

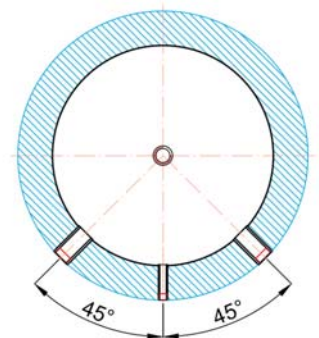
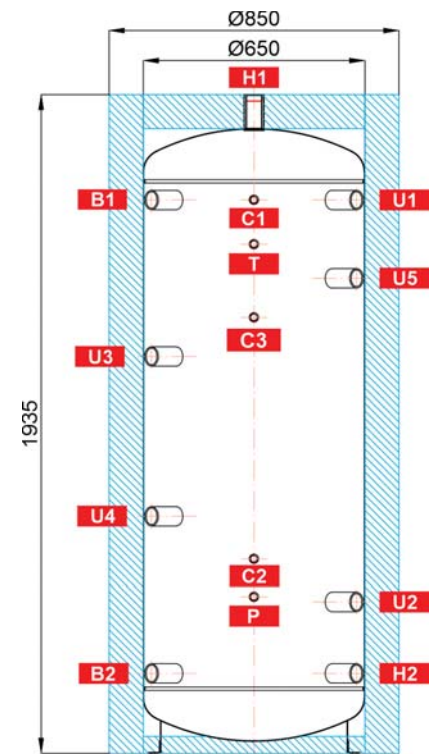
H1	Supply to heat sink	G 6/4" F	1935
H2	Return from heat sink	G 6/4" F	235

CONTROL AND SAFETY

C1	Temperature sensor	G 1/2" F	1625
C2	Temperature sensor	G 1/2" F	570
C3	Temperature sensor	G 1/2" F	1280
T	Thermometer	G 1/2" F	1495
P	Safety valve	G 1/2" F	440

UNIVERSAL INLET/OUTLET

U1	Universal inlet/outlet	G 6/4" F	1625
U2	Universal inlet/outlet	G 6/4" F	440
U3	Universal inlet/outlet	G 6/4" F	1165
U4	Universal inlet/outlet	G 6/4" F	695
U5	Universal inlet/outlet	G 6/4" F	1395



Energy efficiency class with insulation:

N/A

STORAGE TANK

PS 700 N+

Storage tank code 15138
Insulation code 19316

TECHNICAL DATA

Total storage tank volume **656 l**
 Max. working pressure in storage tank **4 bar**
 Tipping height without insulation **2080 mm**
 Heating element max. length **755 mm**

TAPPINGS

pos.	description	connect.	height [mm]
------	-------------	----------	-------------

HEAT SOURCES

B1	Supply from heat source	G 6/4" F	1635
B2	Return to heat source	G 6/4" F	245

HEATING SYSTEM

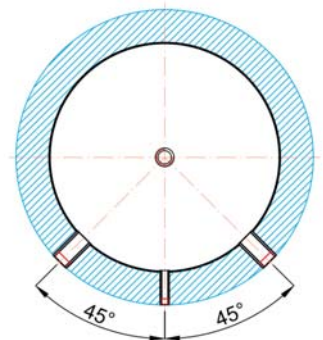
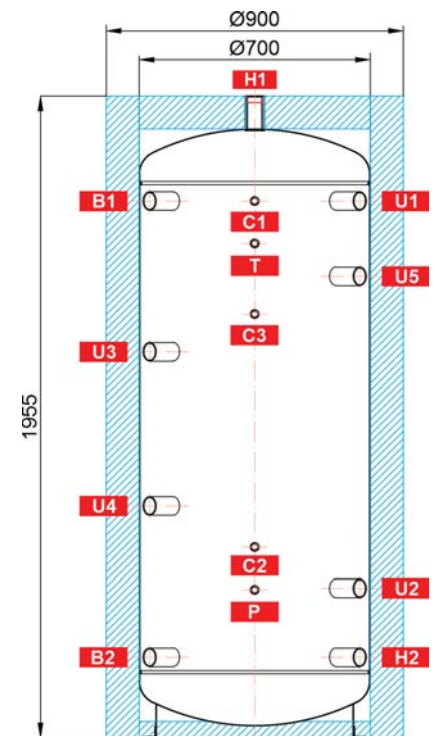
H1	Supply to heat sink	G 6/4" F	1955
H2	Return from heat sink	G 6/4" F	245

CONTROL AND SAFETY

C1	Temperature sensor	G 1/2" F	1635
C2	Temperature sensor	G 1/2" F	580
C3	Temperature sensor	G 1/2" F	1290
T	Thermometer	G 1/2" F	1505
P	Safety valve	G 1/2" F	450

UNIVERSAL INLET/OUTLET

U1	Universal inlet/outlet	G 6/4" F	1635
U2	Universal inlet/outlet	G 6/4" F	455
U3	Universal inlet/outlet	G 6/4" F	1175
U4	Universal inlet/outlet	G 6/4" F	705
U5	Universal inlet/outlet	G 6/4" F	1405



Energy efficiency class with insulation:

N/A

STORAGE TANK

PS 800 N+

Storage tank code **15141**
 Insulation code **19297**

TECHNICAL DATA

Total storage tank volume **804 l**
 Max. working pressure in storage tank **4 bar**
 Tipping height without insulation **1890 mm**
 Heating element max. length **815 mm**

TAPPINGS

pos.	description	connect.	height [mm]
------	-------------	----------	-------------

HEAT SOURCES

B1	Supply from heat source	G 6/4" F	1455
B2	Return to heat source	G 6/4" F	315

HEATING SYSTEM

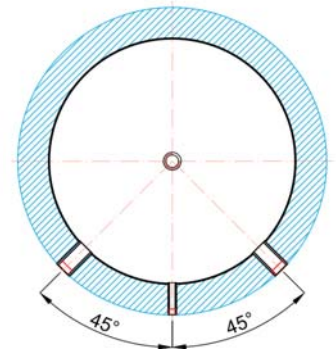
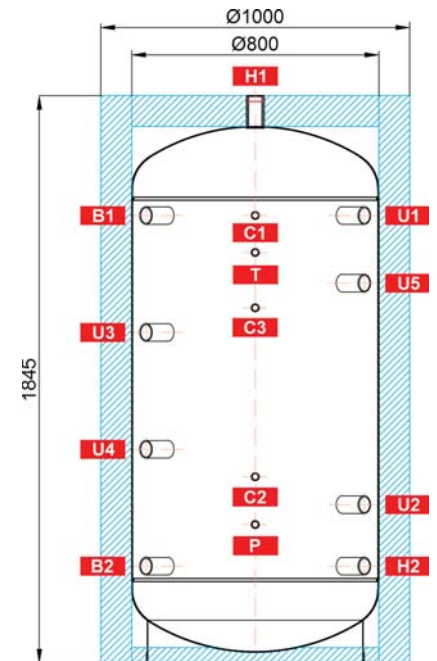
H1	Supply to heat sink	G 6/4" F	1845
H2	Return from heat sink	G 6/4" F	315

CONTROL AND SAFETY

C1	Temperature sensor	G 1/2" F	1455
C2	Temperature sensor	G 1/2" F	605
C3	Temperature sensor	G 1/2" F	1155
T	Thermometer	G 1/2" F	1335
P	Safety valve	G 1/2" F	450

UNIVERSAL INLET/OUTLET

U1	Universal inlet/outlet	G 6/4" F	1455
U2	Universal inlet/outlet	G 6/4" F	515
U3	Universal inlet/outlet	G 6/4" F	1075
U4	Universal inlet/outlet	G 6/4" F	695
U5	Universal inlet/outlet	G 6/4" F	1235



Energy efficiency class with insulation:

N/A

STORAGE TANK

PS 900 N+

Storage tank code 15144
Insulation code 19298

TECHNICAL DATA

Total storage tank volume **860 l**
 Max. working pressure in storage tank **4 bar**
 Tipping height without insulation **2020 mm**
 Heating element max. length **815 mm**

TAPPINGS

pos.	description	connect.	height [mm]
------	-------------	----------	-------------

HEAT SOURCES

B1	Supply from heat source	G 6/4" F	1645
B2	Return to heat source	G 6/4" F	255

HEATING SYSTEM

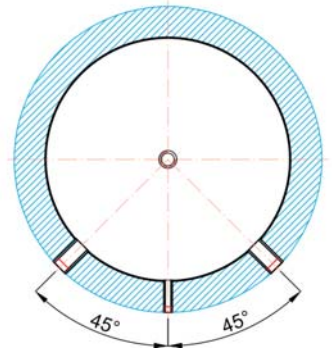
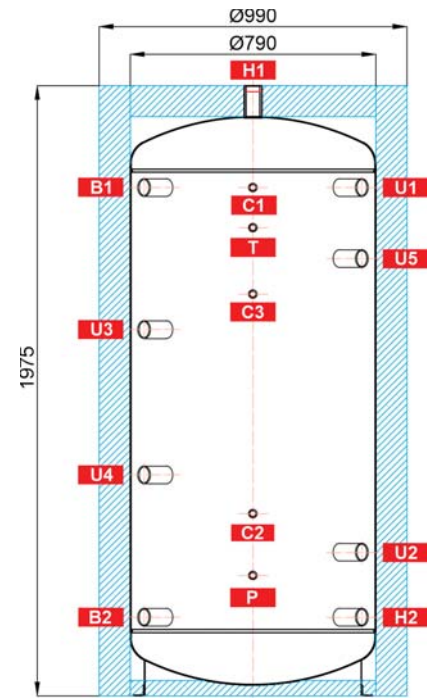
H1	Supply to heat sink	G 6/4" F	1975
H2	Return from heat sink	G 6/4" F	255

CONTROL AND SAFETY

C1	Temperature sensor	G 1/2" F	1645
C2	Temperature sensor	G 1/2" F	590
C3	Temperature sensor	G 1/2" F	1300
T	Thermometer	G 1/2" F	1515
P	Safety valve	G 1/2" F	390

UNIVERSAL INLET/OUTLET

U1	Universal inlet/outlet	G 6/4" F	1645
U2	Universal inlet/outlet	G 6/4" F	465
U3	Universal inlet/outlet	G 6/4" F	1185
U4	Universal inlet/outlet	G 6/4" F	715
U5	Universal inlet/outlet	G 6/4" F	1415



Energy efficiency class with insulation:

N/A

STORAGE TANK

PS 1000 N+

Storage tank code 15147
Insulation code 19049

TECHNICAL DATA

Total storage tank volume **927 l**
 Max. working pressure in storage tank **4 bar**
 Tipping height without insulation **2120 mm**
 Heating element max. length **815 mm**

TAPPINGS

pos.	description	connect.	height [mm]
------	-------------	----------	-------------

HEAT SOURCES

B1	Supply from heat source	G 6/4" F	1690
B2	Return to heat source	G 6/4" F	300

HEATING SYSTEM

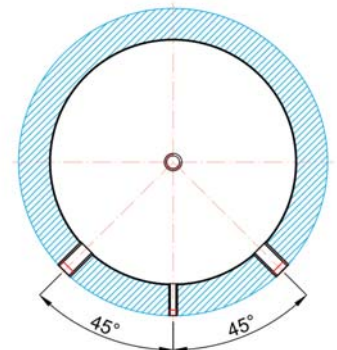
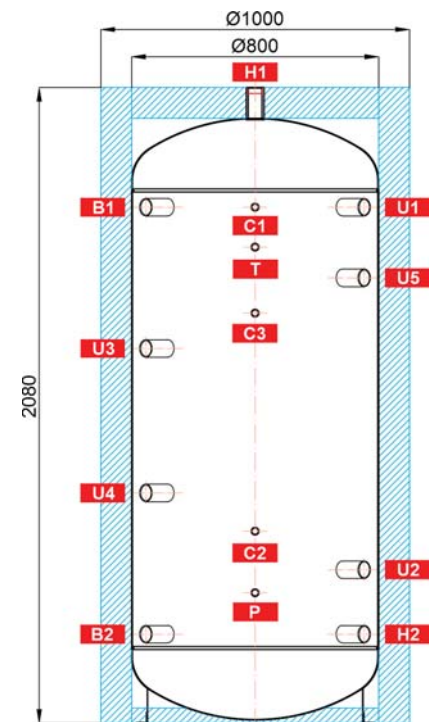
H1	Supply to heat sink	G 6/4" F	2080
H2	Return from heat sink	G 6/4" F	300

CONTROL AND SAFETY

C1	Temperature sensor	G 1/2" F	1690
C2	Temperature sensor	G 1/2" F	635
C3	Temperature sensor	G 1/2" F	1345
T	Thermometer	G 1/2" F	1560
P	Safety valve	G 1/2" F	435

UNIVERSAL INLET/OUTLET

U1	Universal inlet/outlet	G 6/4" F	1690
U2	Universal inlet/outlet	G 6/4" F	510
U3	Universal inlet/outlet	G 6/4" F	1230
U4	Universal inlet/outlet	G 6/4" F	760
U5	Universal inlet/outlet	G 6/4" F	1460



Energy efficiency class with insulation:

N/A

STORAGE TANK

PS 1100 N+

Storage tank code 15150
Insulation code 19305

TECHNICAL DATA

Total storage tank volume **1040 l**
 Max. working pressure in storage tank **4 bar**
 Tipping height without insulation **2125 mm**
 Heating element max. length **815 mm**

TAPPINGS

pos.	description	connect.	height [mm]
------	-------------	----------	-------------

HEAT SOURCES

B1	Supply from heat source	G 6/4" F	1740
B2	Return to heat source	G 6/4" F	260

HEATING SYSTEM

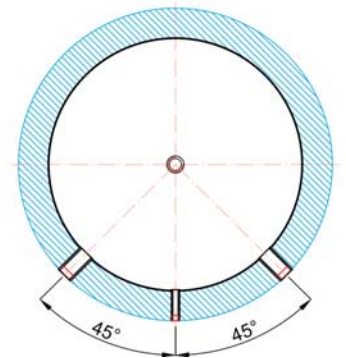
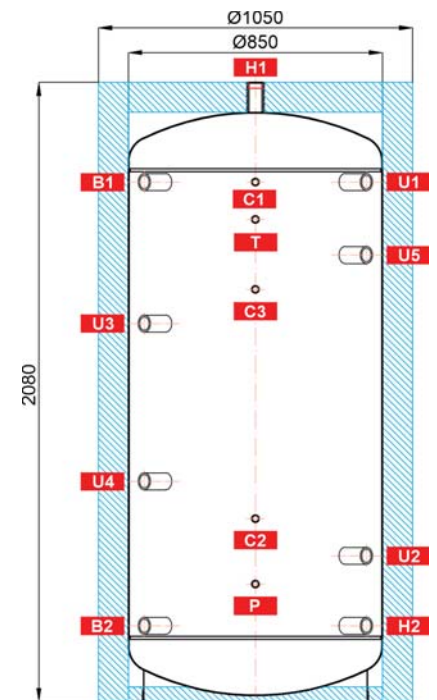
H1	Supply to heat sink	G 6/4" F	2080
H2	Return from heat sink	G 6/4" F	260

CONTROL AND SAFETY

C1	Temperature sensor	G 1/2" F	1740
C2	Temperature sensor	G 1/2" F	615
C3	Temperature sensor	G 1/2" F	1385
T	Thermometer	G 1/2" F	1620
P	Safety valve	G 1/2" F	395

UNIVERSAL INLET/OUTLET

U1	Universal inlet/outlet	G 6/4" F	1740
U2	Universal inlet/outlet	G 6/4" F	490
U3	Universal inlet/outlet	G 6/4" F	1270
U4	Universal inlet/outlet	G 6/4" F	740
U5	Universal inlet/outlet	G 6/4" F	1500



Energy efficiency class with insulation:

N/A

STORAGE TANK

PS 1500 N+

Storage tank code 15153
Insulation code 19303

TECHNICAL DATA

Total storage tank volume **1504 l**
 Max. working pressure in storage tank **3 bar**
 Tipping height without insulation **1965 mm**
 Heating element max. length **955 mm**

TAPPINGS

pos.	description	connect.	height [mm]
------	-------------	----------	-------------

HEAT SOURCES

B1	Supply from heat source	G 6/4" F	1475
B2	Return to heat source	G 6/4" F	335

HEATING SYSTEM

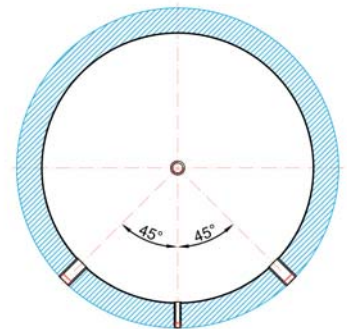
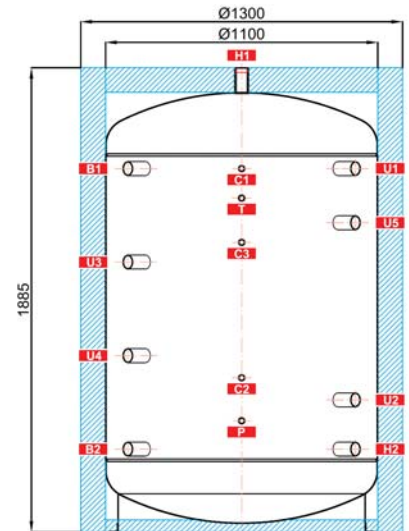
H1	Supply to heat sink	G 6/4" F	1885
H2	Return from heat sink	G 6/4" F	335

CONTROL AND SAFETY

C1	Temperature sensor	G 1/2" F	1475
C2	Temperature sensor	G 1/2" F	625
C3	Temperature sensor	G 1/2" F	1175
T	Thermometer	G 1/2" F	1355
P	Safety valve	G 1/2" F	450

UNIVERSAL INLET/OUTLET

U1	Universal inlet/outlet	G 6/4" F	1475
U2	Universal inlet/outlet	G 6/4" F	535
U3	Universal inlet/outlet	G 6/4" F	1095
U4	Universal inlet/outlet	G 6/4" F	715
U5	Universal inlet/outlet	G 6/4" F	1255



Energy efficiency class with insulation:

N/A

STORAGE TANK

PS 2000 N+

Storage tank code 15156
Insulation code 19312

TECHNICAL DATA

Total storage tank volume **2005 l**
 Max. working pressure in storage tank **3 bar**
 Tipping height without insulation **2055 mm**
 Heating element max. length **955 mm**

TAPPINGS

pos.	description	connect.	height [mm]
------	-------------	----------	-------------

HEAT SOURCES

B1	Supply from heat source	G 6/4" F	1510
B2	Return to heat source	G 6/4" F	370

HEATING SYSTEM

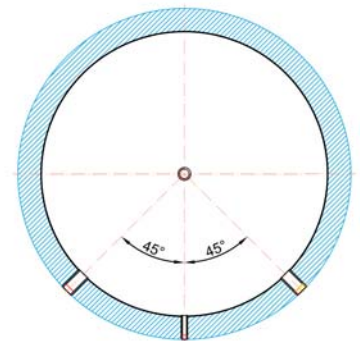
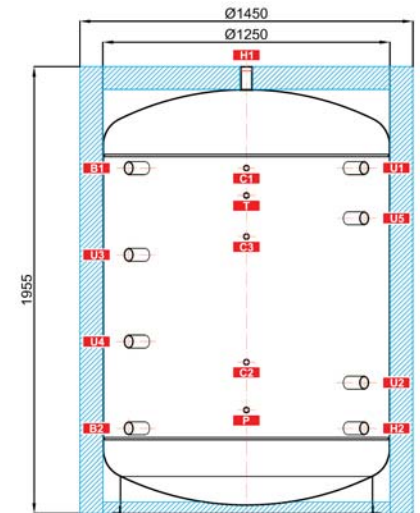
H1	Supply to heat sink	G 6/4" F	1955
H2	Return from heat sink	G 6/4" F	370

CONTROL AND SAFETY

C1	Temperature sensor	G 1/2" F	1510
C2	Temperature sensor	G 1/2" F	660
C3	Temperature sensor	G 1/2" F	1210
T	Thermometer	G 1/2" F	1390
P	Safety valve	G 1/2" F	450

UNIVERSAL INLET/OUTLET

U1	Universal inlet/outlet	G 6/4" F	1510
U2	Universal inlet/outlet	G 6/4" F	570
U3	Universal inlet/outlet	G 6/4" F	1130
U4	Universal inlet/outlet	G 6/4" F	750
U5	Universal inlet/outlet	G 6/4" F	1290



Energy efficiency class with insulation:

N/A

STORAGE TANK

PS 500 N25

Storage tank code **19272**
 Insulation code **19274**

TECHNICAL DATA

Total storage tank volume **476 l**
 Max. working pressure in storage tank **4 bar**
 Tipping height without insulation **1940 mm**
 Heating element max. length **680 mm**

TAPPINGS

pos.	description	connect.	height [mm]
------	-------------	----------	-------------

HEAT SOURCES

B1	Supply from heat source	G 2,5" F	1605
B2	Return to heat source	G 2,5" F	245

HEATING SYSTEM

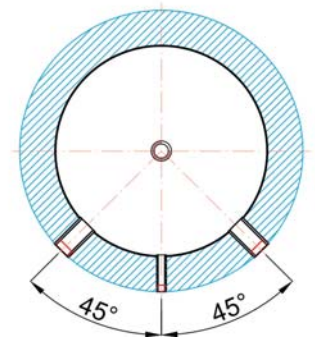
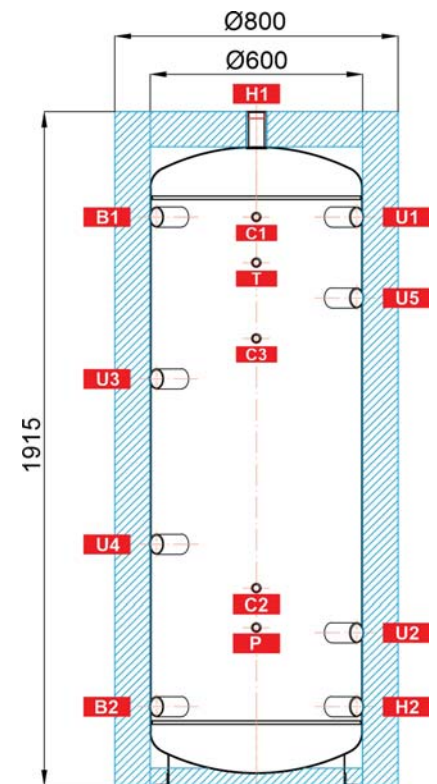
H1	Supply to heat sink	G 2,5" F	1915
H2	Return from heat sink	G 2,5" F	245

CONTROL AND SAFETY

C1	Temperature sensor	G 1/2" F	1615
C2	Temperature sensor	G 1/2" F	450
C3	Temperature sensor	G 1/2" F	1485
T	Thermometer	G 1/2" F	1270
P	Safety valve	G 1/2" F	560

UNIVERSAL INLET/OUTLET

U1	Universal inlet/outlet	G 2,5" F	1605
U2	Universal inlet/outlet	G 2,5" F	435
U3	Universal inlet/outlet	G 2,5" F	1155
U4	Universal inlet/outlet	G 2,5" F	685
U5	Universal inlet/outlet	G 2,5" F	1385



Energy efficiency class with insulation:

C

STORAGE TANK

PS 1000 N25

Storage tank code 19376
Insulation code 19378

TECHNICAL DATA

Total storage tank volume **929 l**
 Max. working pressure in storage tank **4 bar**
 Tipping height without insulation **2120 mm**
 Heating element max. length **815 mm**

TAPPINGS

pos.	description	connect.	height [mm]
------	-------------	----------	-------------

HEAT SOURCES

B1	Supply from heat source	G 2,5" F	1678
B2	Return to heat source	G 2,5" F	320

HEATING SYSTEM

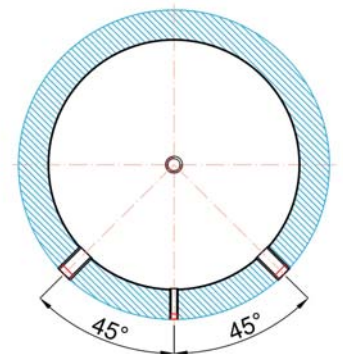
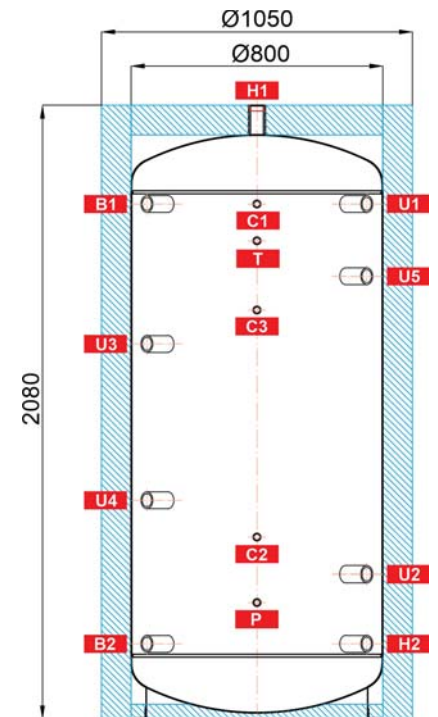
H1	Supply to heat sink	G 2,5" F	2080
H2	Return from heat sink	G 2,5" F	320

CONTROL AND SAFETY

C1	Temperature sensor	G 1/2" F	1690
C2	Temperature sensor	G 1/2" F	435
C3	Temperature sensor	G 1/2" F	1560
T	Thermometer	G 1/2" F	1345
P	Safety valve	G 1/2" F	635

UNIVERSAL INLET/OUTLET

U1	Universal inlet/outlet	G 2,5" F	1678
U2	Universal inlet/outlet	G 2,5" F	510
U3	Universal inlet/outlet	G 2,5" F	1230
U4	Universal inlet/outlet	G 2,5" F	760
U5	Universal inlet/outlet	G 2,5" F	1460



Energy efficiency class with insulation: N/A

STORAGE TANK

PS 1500 N25

Storage tank code 19379
Insulation code 19381

TECHNICAL DATA

Total storage tank volume **1506 l**
 Max. working pressure in storage tank **3 bar**
 Tipping height without insulation **1965 mm**
 Heating element max. length **955 mm**

TAPPINGS

pos.	description	connect.	height [mm]
------	-------------	----------	-------------

HEAT SOURCES

B1	Supply from heat source	G 2,5" F	1465
B2	Return to heat source	G 2,5" F	355

HEATING SYSTEM

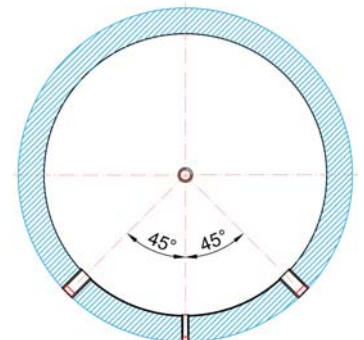
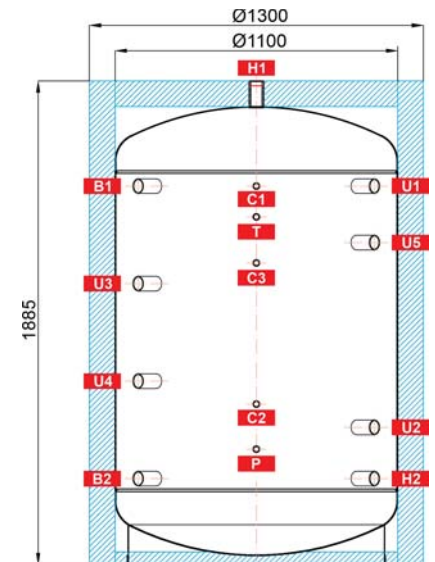
H1	Supply to heat sink	G 2,5" F	1885
H2	Return from heat sink	G 2,5" F	355

CONTROL AND SAFETY

C1	Temperature sensor	G 1/2" F	1475
C2	Temperature sensor	G 1/2" F	450
C3	Temperature sensor	G 1/2" F	1355
T	Thermometer	G 1/2" F	1175
P	Safety valve	G 1/2" F	625

UNIVERSAL INLET/OUTLET

U1	Universal inlet/outlet	G 2,5" F	1465
U2	Universal inlet/outlet	G 2,5" F	535
U3	Universal inlet/outlet	G 2,5" F	1095
U4	Universal inlet/outlet	G 2,5" F	715
U5	Universal inlet/outlet	G 2,5" F	1255



Energy efficiency class with insulation:

N/A

STORAGE TANK

PS 2000 N25

Storage tank code 19370
Insulation code 19372

TECHNICAL DATA

Total storage tank volume **1250 l**
 Max. working pressure in storage tank **3 bar**
 Tipping height without insulation **2055 mm**
 Heating element max. length **955 mm**

TAPPINGS

pos.	description	connect.	height [mm]
------	-------------	----------	-------------

HEAT SOURCES

B1	Supply from heat source	G 2,5" F	1498
B2	Return to heat source	G 2,5" F	390

HEATING SYSTEM

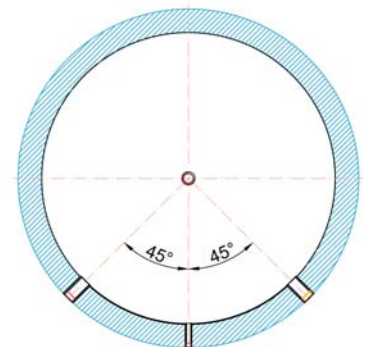
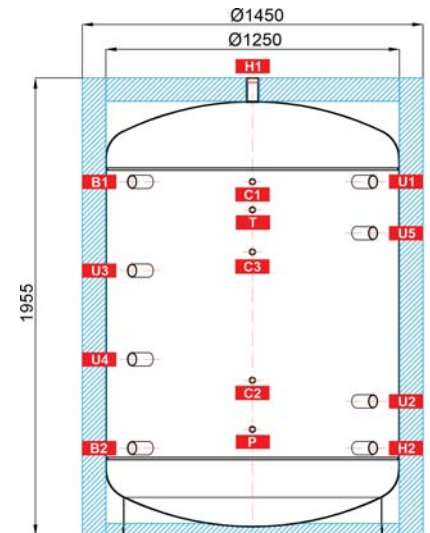
H1	Supply to heat sink	G 2,5" F	1955
H2	Return from heat sink	G 2,5" F	390

CONTROL AND SAFETY

C1	Temperature sensor	G 1/2" F	1510
C2	Temperature sensor	G 1/2" F	450
C3	Temperature sensor	G 1/2" F	1390
T	Thermometer	G 1/2" F	1210
P	Safety valve	G 1/2" F	660

UNIVERSAL INLET/OUTLET

U1	Universal inlet/outlet	G 2,5" F	1498
U2	Universal inlet/outlet	G 2,5" F	582
U3	Universal inlet/outlet	G 2,5" F	1130
U4	Universal inlet/outlet	G 2,5" F	750
U5	Universal inlet/outlet	G 2,5" F	1278



Energy efficiency class with insulation:

N/A

STORAGE TANK

PS 3000 N25

Storage tank code **14454**
 Insulation code **19345**

TECHNICAL DATA

Total storage tank volume **3022 l**
 Max. working pressure in storage tank **3 bar**
 Tipping height without insulation **2180 mm**
 Heating element max. length **955 mm**

TAPPINGS

pos.	description	connect.	height [mm]
------	-------------	----------	-------------

HEAT SOURCES

B1	Supply from heat source	G 2,5" F	1545
B2	Return to heat source	G 2,5" F	445

HEATING SYSTEM

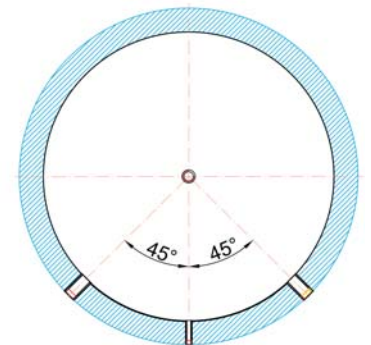
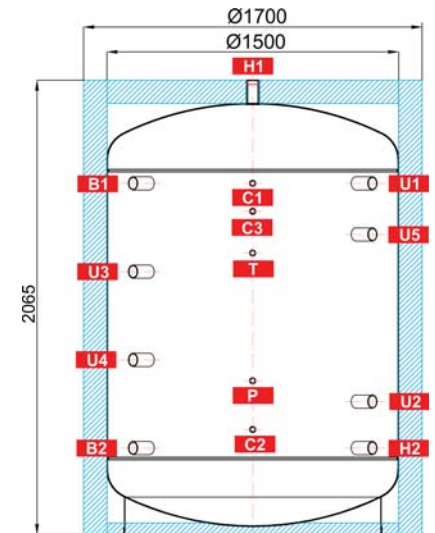
H1	Supply to heat sink	G 2,5" F	2065
H2	Return from heat sink	G 2,5" F	445

CONTROL AND SAFETY

C1	Temperature sensor	G 1/2" F	1565
C2	Temperature sensor	G 1/2" F	545
C3	Temperature sensor	G 1/2" F	1445
T	Thermometer	G 1/2" F	1265
P	Safety valve	G 1/2" F	715

UNIVERSAL INLET/OUTLET

U1	Universal inlet/outlet	G 2,5" F	1545
U2	Universal inlet/outlet	G 2,5" F	645
U3	Universal inlet/outlet	G 2,5" F	1185
U4	Universal inlet/outlet	G 2,5" F	805
U5	Universal inlet/outlet	G 2,5" F	1345



Energy efficiency class with insulation:

N/A

STORAGE TANK

PS 4000 N25

Storage tank code 14457
Insulation code 19352

TECHNICAL DATA

Total storage tank volume **3991 l**
 Max. working pressure in storage tank **3 bar**
 Tipping height without insulation **2490 mm**
 Heating element max. length **955 mm**

TAPPINGS

pos.	description	connect.	height [mm]
------	-------------	----------	-------------

HEAT SOURCES

B1	Supply from heat source	G 2,5" F	1815
B2	Return to heat source	G 2,5" F	465

HEATING SYSTEM

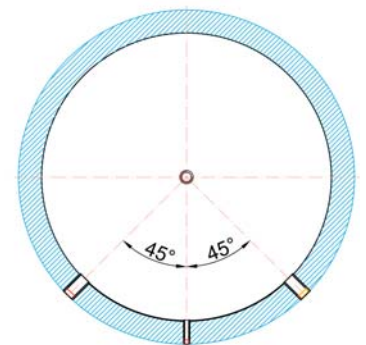
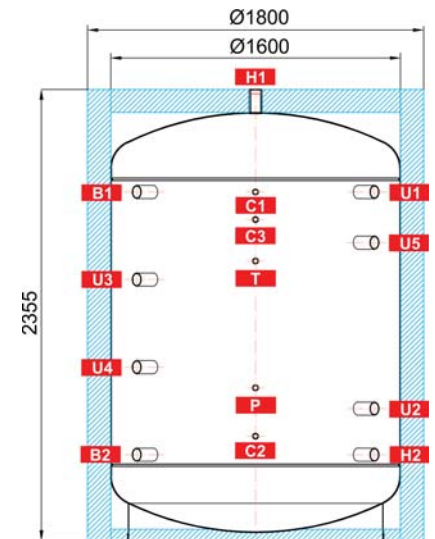
H1	Supply to heat sink	G 2,5" F	2355
H2	Return from heat sink	G 2,5" F	465

CONTROL AND SAFETY

C1	Temperature sensor	G 1/2" F	1835
C2	Temperature sensor	G 1/2" F	600
C3	Temperature sensor	G 1/2" F	1705
T	Thermometer	G 1/2" F	1490
P	Safety valve	G 1/2" F	780

UNIVERSAL INLET/OUTLET

U1	Universal inlet/outlet	G 2,5" F	1815
U2	Universal inlet/outlet	G 2,5" F	675
U3	Universal inlet/outlet	G 2,5" F	1375
U4	Universal inlet/outlet	G 2,5" F	905
U5	Universal inlet/outlet	G 2,5" F	1605



Energy efficiency class with insulation:

N/A

STORAGE TANK

PS 5000 N25

Storage tank code 14331
Insulation code 19358

TECHNICAL DATA

Total storage tank volume **4989 l**
 Max. working pressure in storage tank **3 bar**
 Tipping height without insulation **2970 mm**
 Heating element max. length **955 mm**

TAPPINGS

pos.	description	connect.	height [mm]
------	-------------	----------	-------------

HEAT SOURCES

B1	Supply from heat source	G 2,5" F	2315
B2	Return to heat source	G 2,5" F	465

HEATING SYSTEM

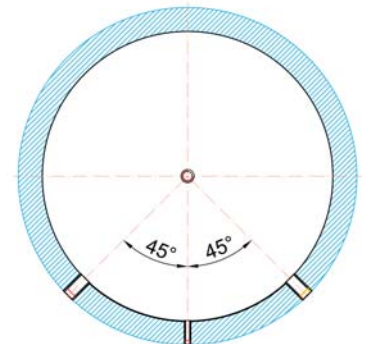
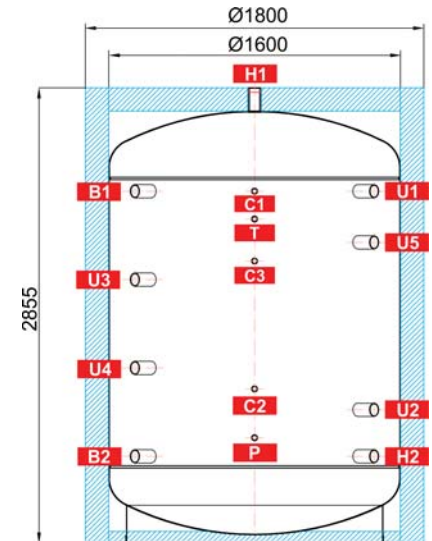
H1	Supply to heat sink	G 2,5" F	2885
H2	Return from heat sink	G 2,5" F	465

CONTROL AND SAFETY

C1	Temperature sensor	G 1/2" F	2335
C2	Temperature sensor	G 1/2" F	670
C3	Temperature sensor	G 1/2" F	2105
T	Thermometer	G 1/2" F	1855
P	Safety valve	G 1/2" F	925

UNIVERSAL INLET/OUTLET

U1	Universal inlet/outlet	G 2,5" F	2315
U2	Universal inlet/outlet	G 2,5" F	775
U3	Universal inlet/outlet	G 2,5" F	1705
U4	Universal inlet/outlet	G 2,5" F	1075
U5	Universal inlet/outlet	G 2,5" F	2005



Energy efficiency class with insulation:

N/A

STORAGE TANK

PS2F 300 N+

Storage tank code 14726
Insulation code 19349

TECHNICAL DATA

Total storage tank volume **285 l**
 Max. working pressure in storage tank **4 bar**
 Tipping height without insulation **1430 mm**
 Heating element max. length **635 mm**

TAPPINGS

pos.	description	connect.	height [mm]
------	-------------	----------	-------------

HEAT SOURCES

B1	Supply from heat source	G 6/4" F	1120
B2	Return to heat source	G 6/4" F	220

HEATING SYSTEM

H1	Supply to heat sink	G 6/4" F	1405
H2	Return from heat sink	G 6/4" F	220

CONTROL AND SAFETY

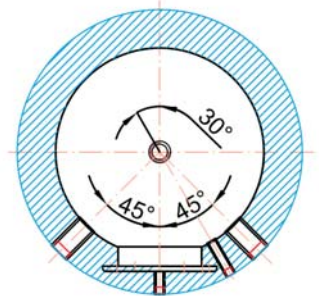
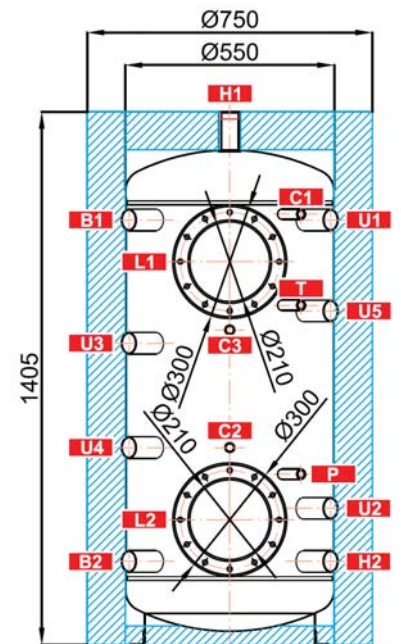
C1	Temperature sensor	G 1/2" F	1135
C2	Temperature sensor	G 1/2" F	520
C3	Temperature sensor	G 1/2" F	830
T	Thermometer	G 1/2" F	895
P	Safety valve	G 1/2" F	450

UNIVERSAL INLET/OUTLET

U1	Universal inlet/outlet	G 6/4" F	1120
U2	Universal inlet/outlet	G 6/4" F	360
U3	Universal inlet/outlet	G 6/4" F	795
U4	Universal inlet/outlet	G 6/4" F	520
U5	Universal inlet/outlet	G 6/4" F	880

FLANGES

L1	Upper flange	12 x M12	1010
L2	Lower flange	12 x M12	330



Energy efficiency class with insulation:

C

STORAGE TANK

PS2F 500 N+

Storage tank code **14729**
 Insulation code **19347**

TECHNICAL DATA

Total storage tank volume **479 l**
 Max. working pressure in storage tank **4 bar**
 Tipping height without insulation **1950 mm**
 Heating element max. length **680 mm**

TAPPINGS

pos.	description	connect.	height [mm]
------	-------------	----------	-------------

HEAT SOURCES

B1	Supply from heat source	G 6/4" F	1615
B2	Return to heat source	G 6/4" F	225

HEATING SYSTEM

H1	Supply to heat sink	G 6/4" F	1915
H2	Return from heat sink	G 6/4" F	225

CONTROL AND SAFETY

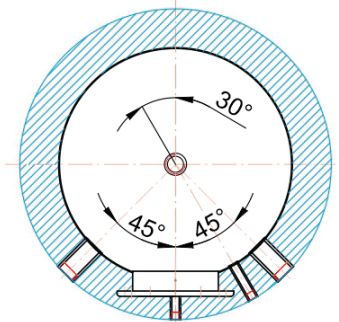
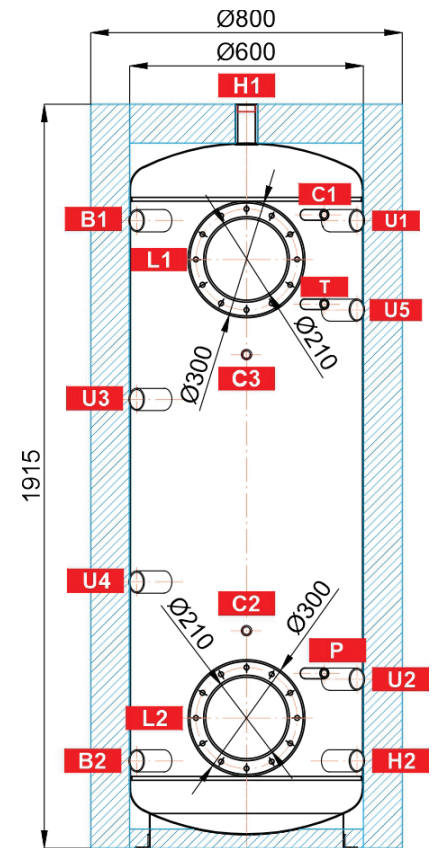
C1	Temperature sensor	G 1/2" F	1630
C2	Temperature sensor	G 1/2" F	560
C3	Temperature sensor	G 1/2" F	1270
T	Thermometer	G 1/2" F	1400
P	Safety valve	G 1/2" F	450

UNIVERSAL INLET/OUTLET

U1	Universal inlet/outlet	G 6/4" F	1615
U2	Universal inlet/outlet	G 6/4" F	435
U3	Universal inlet/outlet	G 6/4" F	1155
U4	Universal inlet/outlet	G 6/4" F	685
U5	Universal inlet/outlet	G 6/4" F	1385

FLANGES

L1	Upper flange	12 x M12	1515
L2	Lower flange	12 x M12	335



Energy efficiency class with insulation:

C

STORAGE TANK

PS2F 800 N+

Storage tank code 15218
Insulation code 19348

TECHNICAL DATA

Total storage tank volume **809 l**
 Max. working pressure in storage tank **4 bar**
 Tipping height without insulation **1895 mm**
 Heating element max. length **815 mm**

TAPPINGS

pos.	description	connect.	height [mm]
------	-------------	----------	-------------

HEAT SOURCES

B1	Supply from heat source	G 6/4" F	1455
B2	Return to heat source	G 6/4" F	315

HEATING SYSTEM

H1	Supply to heat sink	G 6/4" F	1845
H2	Return from heat sink	G 6/4" F	315

CONTROL AND SAFETY

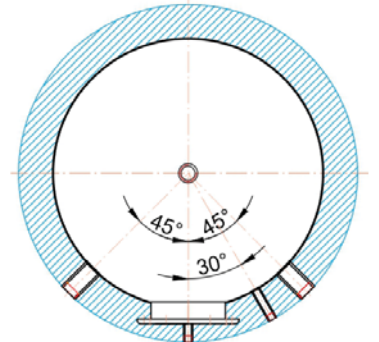
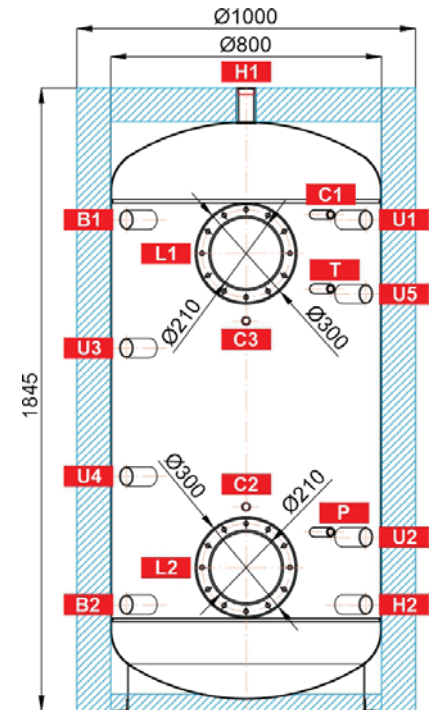
C1	Temperature sensor	G 1/2" F	1470
C2	Temperature sensor	G 1/2" F	605
C3	Temperature sensor	G 1/2" F	1155
T	Thermometer	G 1/2" F	1250
P	Safety valve	G 1/2" F	530

UNIVERSAL INLET/OUTLET

U1	Universal inlet/outlet	G 6/4" F	1455
U2	Universal inlet/outlet	G 6/4" F	515
U3	Universal inlet/outlet	G 6/4" F	1075
U4	Universal inlet/outlet	G 6/4" F	695
U5	Universal inlet/outlet	G 6/4" F	1235

FLANGES

L1	Upper flange	12 x M12	1355
L2	Lower flange	12 x M12	425



Energy efficiency class with insulation:

N/A

STORAGE TANK

PS2F 1000 N+

Storage tank code **15221**
 Insulation code **19340**

TECHNICAL DATA

Total storage tank volume **932 l**
 Max. working pressure in storage tank **4 bar**
 Tipping height without insulation **2120 mm**
 Heating element max. length **815 mm**

TAPPINGS

pos.	description	connect.	height [mm]
------	-------------	----------	-------------

HEAT SOURCES

B1	Supply from heat source	G 6/4" F	1690
B2	Return to heat source	G 6/4" F	300

HEATING SYSTEM

H1	Supply to heat sink	G 6/4" F	2080
H2	Return from heat sink	G 6/4" F	300

CONTROL AND SAFETY

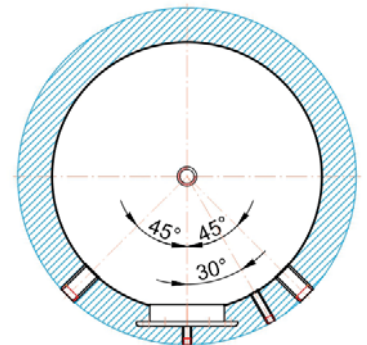
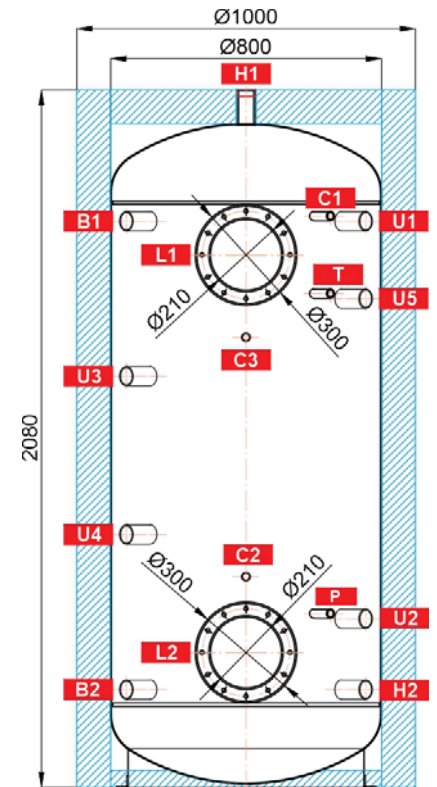
C1	Temperature sensor	G 1/2" F	1705
C2	Temperature sensor	G 1/2" F	635
C3	Temperature sensor	G 1/2" F	1345
T	Thermometer	G 1/2" F	1475
P	Safety valve	G 1/2" F	525

UNIVERSAL INLET/OUTLET

U1	Universal inlet/outlet	G 6/4" F	1690
U2	Universal inlet/outlet	G 6/4" F	510
U3	Universal inlet/outlet	G 6/4" F	1230
U4	Universal inlet/outlet	G 6/4" F	760
U5	Universal inlet/outlet	G 6/4" F	1460

FLANGES

L1	Upper flange	12 x M12	1590
L2	Lower flange	12 x M12	410



Energy efficiency class with insulation:

N/A

STORAGE TANK

PS2F 1500 N+

Storage tank code 15224
Insulation code 19344

TECHNICAL DATA

Total storage tank volume **1509 l**
 Max. working pressure in storage tank **3 bar**
 Tipping height without insulation **1965 mm**
 Heating element max. length **955 mm**

TAPPINGS

pos.	description	connect.	height [mm]
------	-------------	----------	-------------

HEAT SOURCES

B1	Supply from heat source	G 6/4" F	1475
B2	Return to heat source	G 6/4" F	335

HEATING SYSTEM

H1	Supply to heat sink	G 6/4" F	1885
H2	Return from heat sink	G 6/4" F	335

CONTROL AND SAFETY

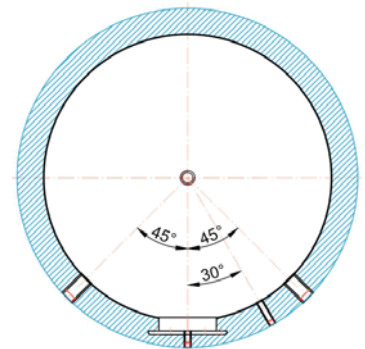
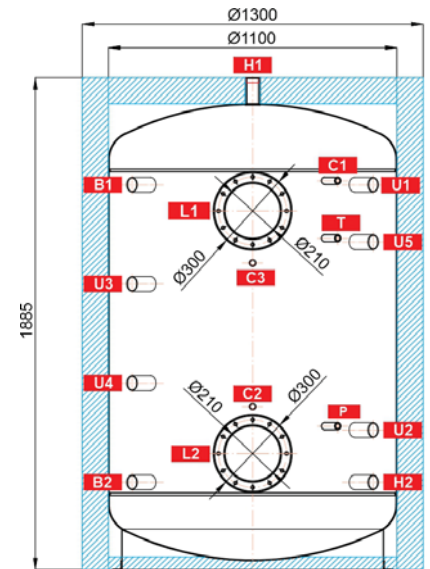
C1	Temperature sensor	G 1/2" F	1490
C2	Temperature sensor	G 1/2" F	625
C3	Temperature sensor	G 1/2" F	1175
T	Thermometer	G 1/2" F	1270
P	Safety valve	G 1/2" F	550

UNIVERSAL INLET/OUTLET

U1	Universal inlet/outlet	G 6/4" F	1475
U2	Universal inlet/outlet	G 6/4" F	535
U3	Universal inlet/outlet	G 6/4" F	1095
U4	Universal inlet/outlet	G 6/4" F	715
U5	Universal inlet/outlet	G 6/4" F	1255

FLANGES

L1	Upper flange	12 x M12	1375
L2	Lower flange	12 x M12	445



Energy efficiency class with insulation:

N/A

STORAGE TANK

PS2F 2000 N+

Storage tank code 15227
Insulation code 19351

TECHNICAL DATA

Total storage tank volume **2005 l**
 Max. working pressure in storage tank **3 bar**
 Tipping height without insulation **2055 mm**
 Heating element max. length **955 mm**

TAPPINGS

pos.	description	connect.	height [mm]
------	-------------	----------	-------------

HEAT SOURCES

B1	Supply from heat source	G 6/4" F	1510
B2	Return to heat source	G 6/4" F	370

HEATING SYSTEM

H1	Supply to heat sink	G 6/4" F	1955
H2	Return from heat sink	G 6/4" F	370

CONTROL AND SAFETY

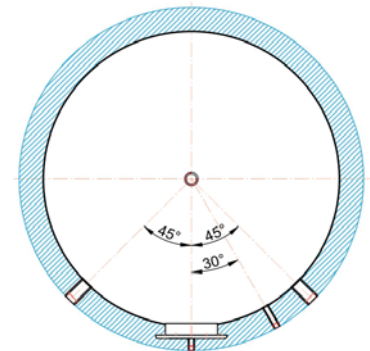
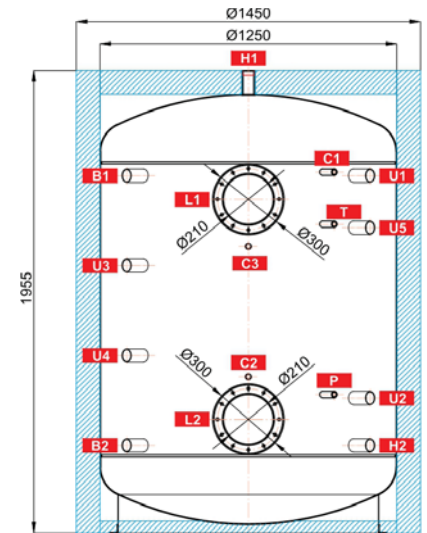
C1	Temperature sensor	G 1/2" F	1525
C2	Temperature sensor	G 1/2" F	660
C3	Temperature sensor	G 1/2" F	1210
T	Thermometer	G 1/2" F	1305
P	Safety valve	G 1/2" F	585

UNIVERSAL INLET/OUTLET

U1	Universal inlet/outlet	G 6/4" F	1510
U2	Universal inlet/outlet	G 6/4" F	570
U3	Universal inlet/outlet	G 6/4" F	1130
U4	Universal inlet/outlet	G 6/4" F	750
U5	Universal inlet/outlet	G 6/4" F	1290

FLANGES

L1	Upper flange	12 x M12	1410
L2	Lower flange	12 x M12	480



Energy efficiency class with insulation:

N/A

STORAGE TANK

PS2F 3000 N25

Storage tank code 14460
Insulation code 19359

TECHNICAL DATA

Total storage tank volume **3027 l**
 Max. working pressure in storage tank **3 bar**
 Tipping height without insulation **2189 mm**
 Heating element max. length **955 mm**

TAPPINGS

pos.	description	connect.	height [mm]
------	-------------	----------	-------------

HEAT SOURCES

B1	Supply from heat source	G 2,5" F	1545
B2	Return to heat source	G 2,5" F	445

HEATING SYSTEM

H1	Supply to heat sink	G 2,5" F	2065
H2	Return from heat sink	G 2,5" F	445

CONTROL AND SAFETY

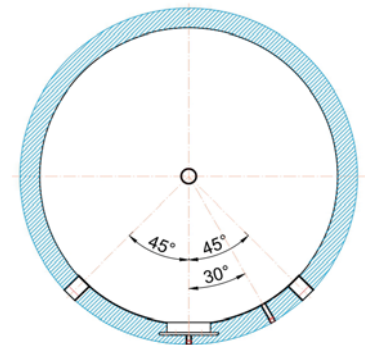
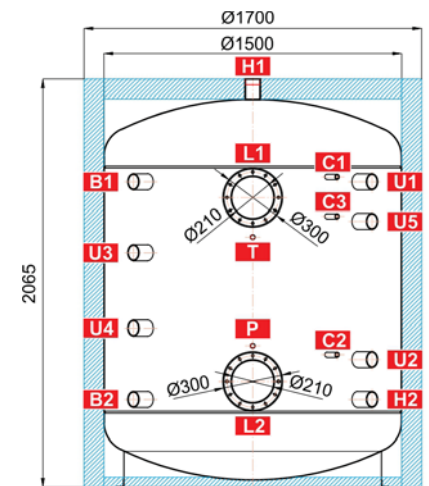
C1	Temperature sensor	G 1/2" F	1570
C2	Temperature sensor	G 1/2" F	670
C3	Temperature sensor	G 1/2" F	1370
T	Thermometer	G 1/2" F	1265
P	Safety valve	G 1/2" F	715

UNIVERSAL INLET/OUTLET

U1	Universal inlet/outlet	G 2,5" F	1545
U2	Universal inlet/outlet	G 2,5" F	645
U3	Universal inlet/outlet	G 2,5" F	1185
U4	Universal inlet/outlet	G 2,5" F	805
U5	Universal inlet/outlet	G 2,5" F	1345

FLANGES

L1	Upper flange	12 x M12	1465
L2	Lower flange	12 x M12	535



Energy efficiency class with insulation:

N/A

STORAGE TANK

PS2F 4000 N25

Storage tank code 14463
Insulation code 19356

TECHNICAL DATA

Total storage tank volume **3996 l**
 Max. working pressure in storage tank **3 bar**
 Tipping height without insulation **2490 mm**
 Heating element max. length **955 mm**

TAPPINGS

pos.	description	connect.	height [mm]
------	-------------	----------	-------------

HEAT SOURCES

B1	Supply from heat source	G 2,5" F	1815
B2	Return to heat source	G 2,5" F	465

HEATING SYSTEM

H1	Supply to heat sink	G 2,5" F	2355
H2	Return from heat sink	G 2,5" F	465

CONTROL AND SAFETY

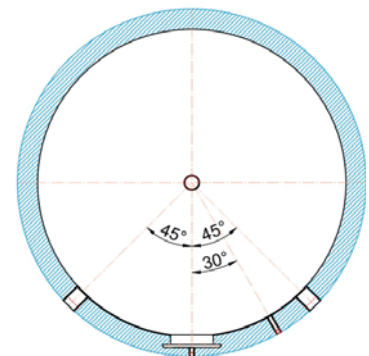
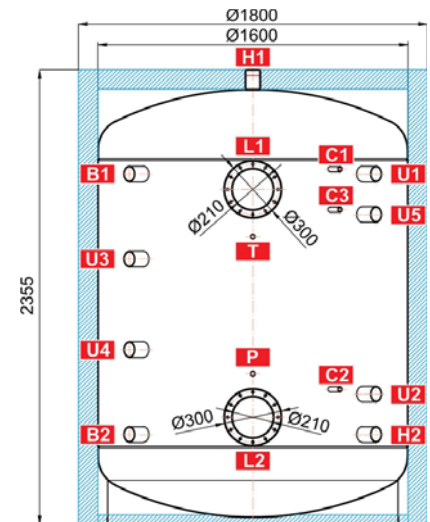
C1	Temperature sensor	G 1/2" F	1840
C2	Temperature sensor	G 1/2" F	700
C3	Temperature sensor	G 1/2" F	1630
T	Thermometer	G 1/2" F	1490
P	Safety valve	G 1/2" F	780

UNIVERSAL INLET/OUTLET

U1	Universal inlet/outlet	G 2,5" F	1815
U2	Universal inlet/outlet	G 2,5" F	675
U3	Universal inlet/outlet	G 2,5" F	1375
U4	Universal inlet/outlet	G 2,5" F	905
U5	Universal inlet/outlet	G 2,5" F	1605

FLANGES

L1	Upper flange	12 x M12	1735
L2	Lower flange	12 x M12	555



Energy efficiency class with insulation:

N/A

STORAGE TANK

PS2F 5000 N25

Storage tank code 14466
Insulation code 19360

TECHNICAL DATA

Total storage tank volume **4994 l**
 Max. working pressure in storage tank **3 bar**
 Tipping height without insulation **2970 mm**
 Heating element max. length **955 mm**

TAPPINGS

pos.	description	connect.	height [mm]
------	-------------	----------	-------------

HEAT SOURCES

B1	Supply from heat source	G 2,5" F	2315
B2	Return to heat source	G 2,5" F	465

HEATING SYSTEM

H1	Supply to heat sink	G 2,5" F	2855
H2	Return from heat sink	G 2,5" F	465

CONTROL AND SAFETY

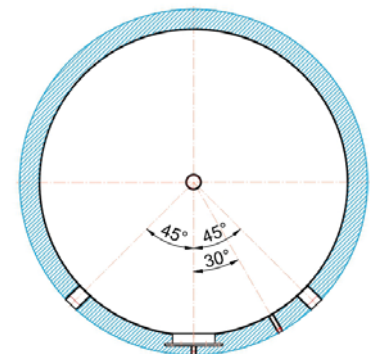
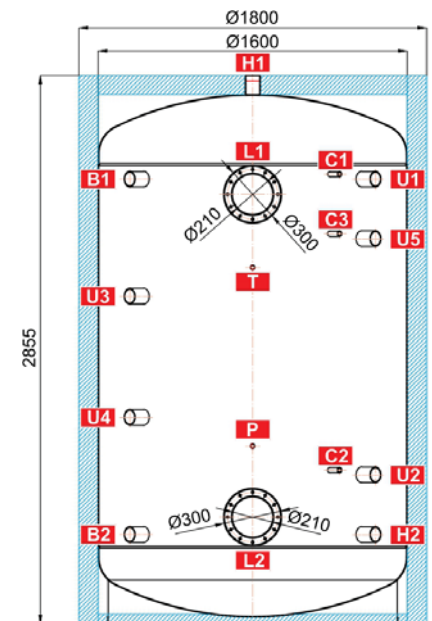
C1	Temperature sensor	G 1/2" F	2340
C2	Temperature sensor	G 1/2" F	800
C3	Temperature sensor	G 1/2" F	2030
T	Thermometer	G 1/2" F	1855
P	Safety valve	G 1/2" F	925

UNIVERSAL INLET/OUTLET

U1	Universal inlet/outlet	G 2,5" F	2315
U2	Universal inlet/outlet	G 2,5" F	775
U3	Universal inlet/outlet	G 2,5" F	1705
U4	Universal inlet/outlet	G 2,5" F	1075
U5	Universal inlet/outlet	G 2,5" F	2005

FLANGES

L1	Upper flange	12 x M12	2235
L2	Lower flange	12 x M12	555



Energy efficiency class with insulation:

N/A

STORAGE TANK

PSWF 300 N+

Storage tank code	14732
Insulation code	19342

TECHNICAL DATA

Total storage tank volume	280 l
Max. working pressure in storage tank	4 bar
Tipping height without insulation	1430 mm
Heating element max. length	635 mm
Heat exchanger volume	9.0 l
Heat exchanger surface area	1.5 m ²
Max. working pressure in heat exchanger	10 bar

TAPPINGS

pos.	connect.	height [mm]
------	----------	-------------

HEAT SOURCES

B1	Supply from heat source	G 6/4" F	1120
B2	Return to heat source	G 6/4" F	220

HEATING SYSTEM

H1	Supply to heat sink	G 6/4" F	1405
H2	Return from heat sink	G 6/4" F	220

CONTROL AND SAFETY

C1	Temperature sensor	G 1/2" F	1135
C2	Temperature sensor	G 1/2" F	520
C3	Temperature sensor	G 1/2" F	830
T	Thermometer	G 1/2" F	895
P	Safety valve	G 1/2" F	375

UNIVERSAL INLET/OUTLET

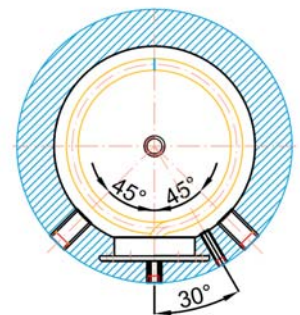
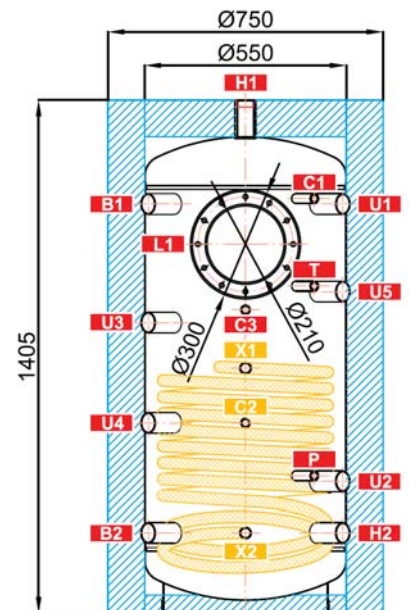
U1	Universal inlet/outlet	G 6/4" F	1120
U2	Universal inlet/outlet	G 6/4" F	360
U3	Universal inlet/outlet	G 6/4" F	795
U4	Universal inlet/outlet	G 6/4" F	520
U5	Universal inlet/outlet	G 6/4" F	880

SOLAR THERMAL SYSTEM

X1	Inlet from solar thermal collector	G 1" F	670
X2	Return to solar thermal collector	G 1" F	220

FLANGES

L1	Upper flange	12 x M12	1010
-----------	--------------	----------	------



Energy efficiency class with insulation:

C

STORAGE TANK

PSWF 500 N+

Storage tank code **14735**
 Insulation code **19332**

TECHNICAL DATA

Total storage tank volume **472 l**
 Max. working pressure in storage tank **4 bar**
 Tipping height without insulation **1950 mm**
 Heating element max. length **680 mm**
 Heat exchanger volume **11.0 l**
 Heat exchanger surface area **2.0 m²**
 Max. working pressure in heat exchanger **10 bar**

TAPPINGS

pos.	connect.	height [mm]
------	----------	-------------

HEAT SOURCES

B1	Supply from heat source	G 6/4" F	1615
B2	Return to heat source	G 6/4" F	225

HEATING SYSTEM

H1	Supply to heat sink	G 6/4" F	1915
H2	Return from heat sink	G 6/4" F	225

CONTROL AND SAFETY

C1	Temperature sensor	G 1/2" F	1630
C2	Temperature sensor	G 1/2" F	585
C3	Temperature sensor	G 1/2" F	1270
T	Thermometer	G 1/2" F	1400
P	Safety valve	G 1/2" F	450

UNIVERSAL INLET/OUTLET

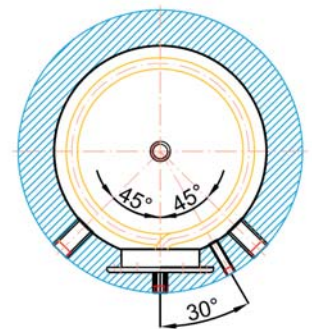
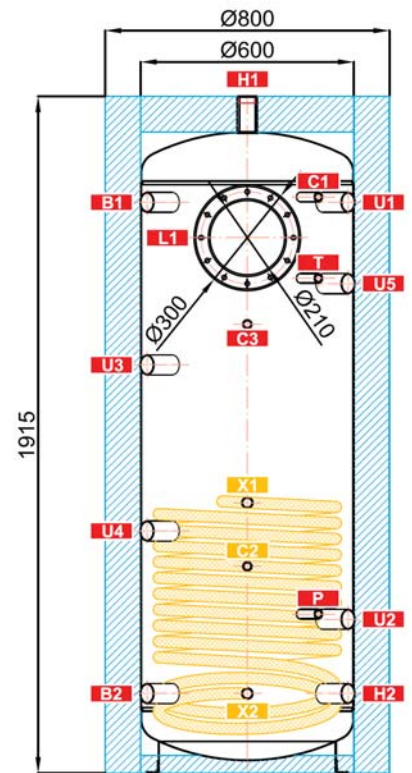
U1	Universal inlet/outlet	G 6/4" F	1615
U2	Universal inlet/outlet	G 6/4" F	435
U3	Universal inlet/outlet	G 6/4" F	1155
U4	Universal inlet/outlet	G 6/4" F	685
U5	Universal inlet/outlet	G 6/4" F	1385

SOLAR THERMAL SYSTEM

X1	Inlet from solar thermal collector	G 1" F	765
X2	Return to solar thermal collector	G 1" F	225

FLANGES

L1	Upper flange	12 x M12	1515
-----------	--------------	----------	------



Energy efficiency class with insulation:

C

STORAGE TANK

PSWF 800 N+

Storage tank code	15230
Insulation code	19343

TECHNICAL DATA

Total storage tank volume	792 l
Max. working pressure in storage tank	4 bar
Tipping height without insulation	1895 mm
Heating element max. length	755 mm
Heat exchanger volume	15.0 l
Heat exchanger surface area	2.7 m ²
Max. working pressure in heat exchanger	10 bar

TAPPINGS

pos.	connect.	height [mm]
------	----------	-------------

HEAT SOURCES

B1	Supply from heat source	G 6/4" F	1455
B2	Return to heat source	G 6/4" F	315

HEATING SYSTEM

H1	Supply to heat sink	G 6/4" F	1845
H2	Return from heat sink	G 6/4" F	315

CONTROL AND SAFETY

C1	Temperature sensor	G 1/2" F	1470
C2	Temperature sensor	G 1/2" F	685
C3	Temperature sensor	G 1/2" F	1155
T	Thermometer	G 1/2" F	1250
P	Safety valve	G 1/2" F	530

UNIVERSAL INLET/OUTLET

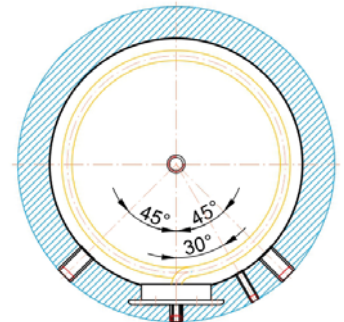
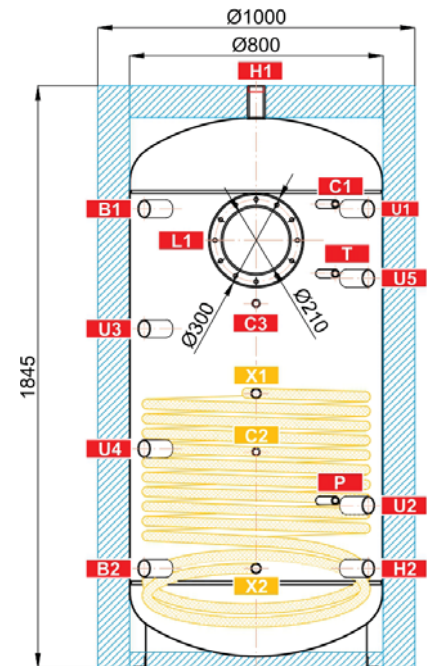
U1	Universal inlet/outlet	G 6/4" F	1455
U2	Universal inlet/outlet	G 6/4" F	515
U3	Universal inlet/outlet	G 6/4" F	1075
U4	Universal inlet/outlet	G 6/4" F	695
U5	Universal inlet/outlet	G 6/4" F	1235

SOLAR THERMAL SYSTEM

X1	Inlet from solar thermal collector	G 1" F	870
X2	Return to solar thermal collector	G 1" F	315

FLANGES

L1	Upper flange	12 x M12	1355
-----------	--------------	----------	------



Energy efficiency class with insulation:

N/A

STORAGE TANK

PSWF 1000 N+

Storage tank code **15232**
 Insulation code **19325**

TECHNICAL DATA

Total storage tank volume **930 l**
 Max. working pressure in storage tank **4 bar**
 Tipping height without insulation **2120 mm**
 Heating element max. length **755 mm**
 Heat exchanger volume **18.0 l**
 Heat exchanger surface area **3.2 m²**
 Max. working pressure in heat exchanger **10 bar**

TAPPINGS

pos.	connect.	height [mm]
------	----------	-------------

HEAT SOURCES

B1	Supply from heat source	G 6/4" F 1690
B2	Return to heat source	G 6/4" F 300

HEATING SYSTEM

H1	Supply to heat sink	G 6/4" F 2080
H2	Return from heat sink	G 6/4" F 300

CONTROL AND SAFETY

C1	Temperature sensor	G 1/2" F 1705
C2	Temperature sensor	G 1/2" F 740
C3	Temperature sensor	G 1/2" F 1345
T	Thermometer	G 1/2" F 1475
P	Safety valve	G 1/2" F 525

UNIVERSAL INLET/OUTLET

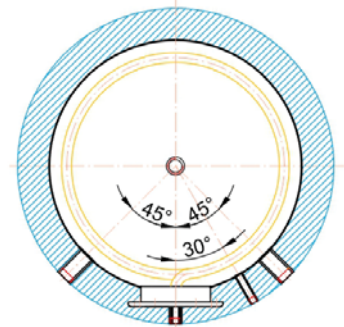
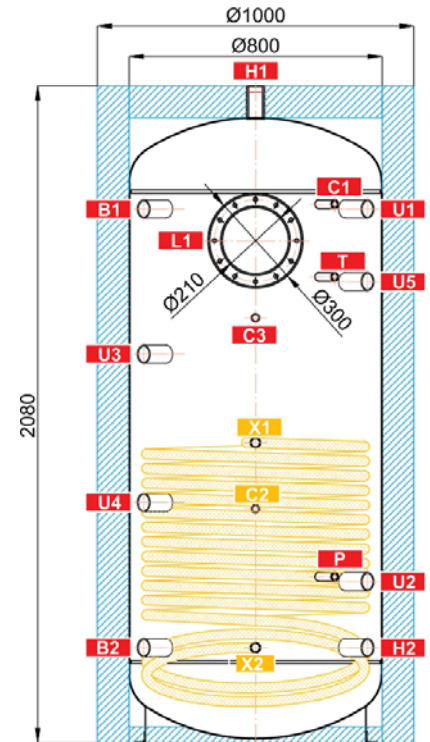
U1	Universal inlet/outlet	G 6/4" F 1690
U2	Universal inlet/outlet	G 6/4" F 510
U3	Universal inlet/outlet	G 6/4" F 1230
U4	Universal inlet/outlet	G 6/4" F 760
U5	Universal inlet/outlet	G 6/4" F 1460

SOLAR THERMAL SYSTEM

X1	Inlet from solar thermal collector	G 1" F 950
X2	Return to solar thermal collector	G 1" F 300

FLANGES

L1	Upper flange	12 x M12 1590
-----------	--------------	---------------



Energy efficiency class with insulation: N/A

STORAGE TANK

PSWF 1500 N+

Storage tank code 15234
Insulation code 19350

TECHNICAL DATA

Total storage tank volume **1498 l**
 Max. working pressure in storage tank **3 bar**
 Tipping height without insulation **1965 mm**
 Heating element max. length **955 mm**
 Heat exchanger volume **22.0 l**
 Heat exchanger surface area **4.0 m²**
 Max. working pressure in heat exchanger **10 bar**

TAPPINGS

pos.	connect.	height [mm]
------	----------	-------------

HEAT SOURCES

B1	Supply from heat source	G 6/4" F	1475
B2	Return to heat source	G 6/4" F	335

HEATING SYSTEM

H1	Supply to heat sink	G 6/4" F	1885
H2	Return from heat sink	G 6/4" F	335

CONTROL AND SAFETY

C1	Temperature sensor	G 1/2" F	1490
C2	Temperature sensor	G 1/2" F	735
C3	Temperature sensor	G 1/2" F	1175
T	Thermometer	G 1/2" F	1270
P	Safety valve	G 1/2" F	550

UNIVERSAL INLET/OUTLET

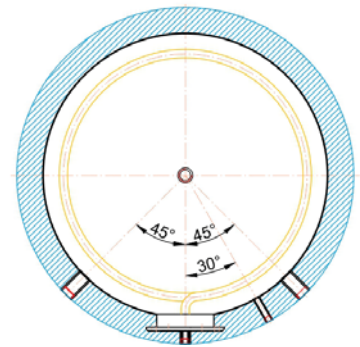
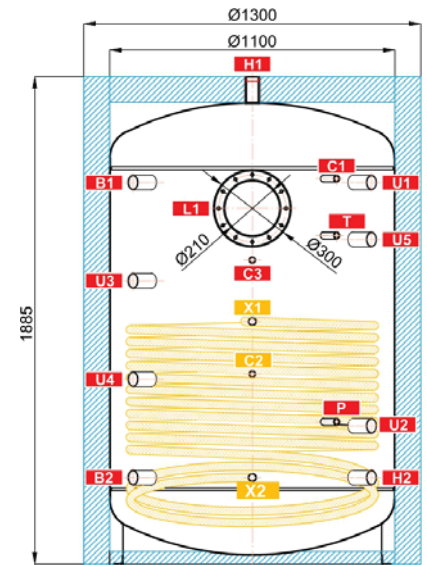
U1	Universal inlet/outlet	G 6/4" F	1475
U2	Universal inlet/outlet	G 6/4" F	535
U3	Universal inlet/outlet	G 6/4" F	1095
U4	Universal inlet/outlet	G 6/4" F	715
U5	Universal inlet/outlet	G 6/4" F	1255

SOLAR THERMAL SYSTEM

X1	Inlet from solar thermal collector	G 1" F	940
X2	Return to solar thermal collector	G 1" F	335

FLANGES

L1	Upper flange	12 x M12	1375
-----------	--------------	----------	------



Energy efficiency class with insulation:

N/A

STORAGE TANK

PSWF 2000 N+

Storage tank code 15236
Insulation code 19355

TECHNICAL DATA

Total storage tank volume **1996 l**
 Max. working pressure in storage tank **3 bar**
 Tipping height without insulation **2050 mm**
 Heating element max. length **955 mm**
 Heat exchanger volume **25.0 l**
 Heat exchanger surface area **4.5 m²**
 Max. working pressure in heat exchanger **10 bar**

TAPPINGS

pos.	connect.	height [mm]
------	----------	-------------

HEAT SOURCES

B1	Supply from heat source	G 6/4" F	1510
B2	Return to heat source	G 6/4" F	370

HEATING SYSTEM

H1	Supply to heat sink	G 6/4" F	1955
H2	Return from heat sink	G 6/4" F	370

CONTROL AND SAFETY

C1	Temperature sensor	G 1/2" F	1525
C2	Temperature sensor	G 1/2" F	760
C3	Temperature sensor	G 1/2" F	1210
T	Thermometer	G 1/2" F	1305
P	Safety valve	G 1/2" F	585

UNIVERSAL INLET/OUTLET

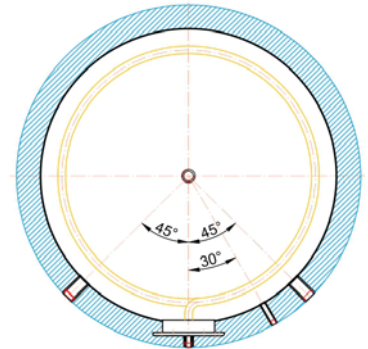
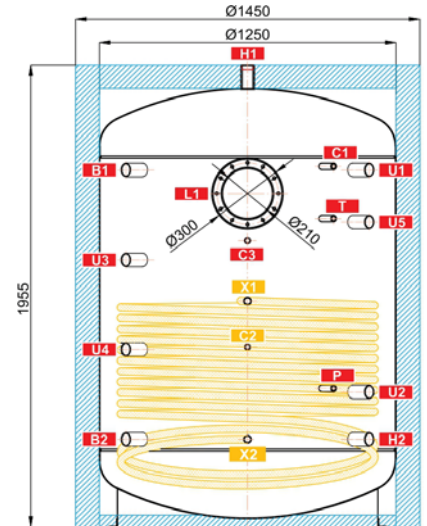
U1	Universal inlet/outlet	G 6/4" F	1510
U2	Universal inlet/outlet	G 6/4" F	570
U3	Universal inlet/outlet	G 6/4" F	1130
U4	Universal inlet/outlet	G 6/4" F	750
U5	Universal inlet/outlet	G 6/4" F	1290

SOLAR THERMAL SYSTEM

X1	Inlet from solar thermal collector	G 1" F	955
X2	Return to solar thermal collector	G 1" F	370

FLANGES

L1	Upper flange	12 x M12	1410
-----------	--------------	----------	------



Energy efficiency class with insulation: N/A

