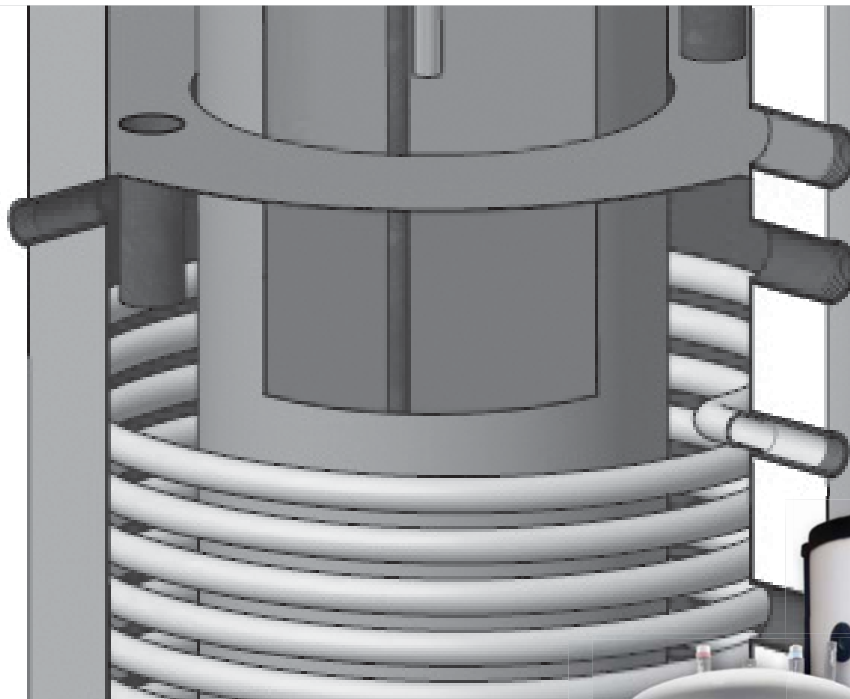


DUO N Thermal Stores



- **stainless-steel immersed hot water storage tank**
- **separating metal sheet**
- **390-1700 l**



CONTENTS

Thermal Stores w. stainless-steel immersed hot water storage tank

4	DUO 390/130 N P
5	DUO 600/200 N P
6	DUO 750/200 N P
7	DUO 1000/200 N P
8	DUO 1700/200 N P

Thermal Stores w. stainless-steel immersed hot water storage tank and solar heat exchanger

10	DUO 390/130 N PR
11	DUO 600/200 N PR
12	DUO 750/200 N PR
13	DUO 1000/200 N PR
14	DUO 1700/200 N PR

THERMAL STORE WITH STAINLESS-STEEL IMMERSED HOT WATER STORAGE TANK

DUO 390/130 N P

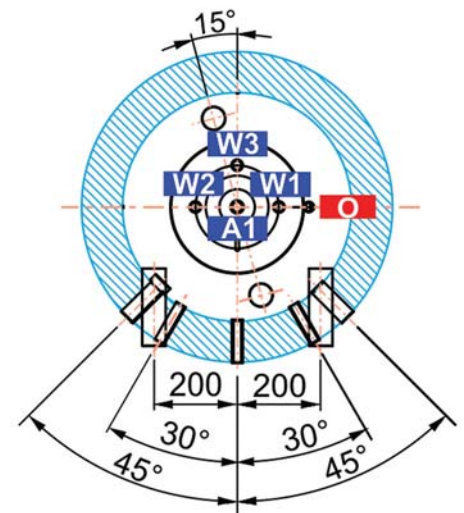
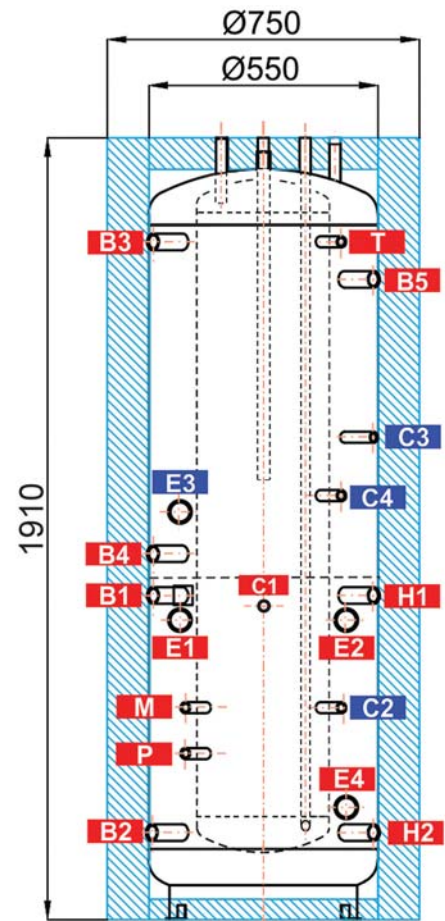
Tank code: 19131
Insulation code: 19318

TECHNICAL DATA:

TOTAL TANK VOLUME	396l
MAX. WORKING PRESSURE IN THERMAL STORE	3 bar
TIPPING HEIGHT WITHOUT INSULATION	1950 mm
MAX. HEATING ELEMENT LENGTH	500 mm
HOT WATER STORAGE TANK	
HOT WATER TANK VOLUME	123l
MAX. WORKING PRESSURE IN HW TANK	6 bar
VOLUME OF SUPPLIED DHW (heated from 10°C to 40°C, at 8 l/min. flow rate and 60°C temperature in thermal store)	277l

CONNECTIONS:

pos.	descriptions	connec- tion	height [mm]
HEAT SOURCES			
B1	Incoming from heat source	G 1" F	780
B2	Return to heat source	G 1" F	210
B3	Incoming from heat source	G 1" F	1630
B4	Return to heat source	G 1" F	880
B5	Incoming from heat source	G 1" F	1540
HEATING SYSTEM			
H1	Outgoing to heating system	G 1" F	780
H2	Return from heating system	G 1" F	210
ELECTRIC HEATING ELEMENTS			
E1	Electric heating element for heating	G 6/4" F	720
E2	Electric heating element for heating	G 6/4" F	720
E3	Electric heating element for DHW	G 6/4" F	980
E4	Electric heating element of PV system	G 6/4" F	270
DHW HEATING			
W1	Cold water	G 3/4" M	1910
W2	Hot water	G 3/4" M	1910
W3	Recirculation	G 3/4" M	1910
A1	Anode rod	G 3/4" F	1855
CONTROL & SAFETY			
C1	Temperature sensor - heating	G 1/2" F	750
C2	Temperature sensor - DHW	G 1/2" F	510
C3	Temperature sensor - DHW	G 1/2" F	1160
C4	Temperature sensor - DHW	G 1/2" F	1020
T	Thermometer	G 1/2" F	1630
M	Pressure gauge	G 1/2" F	510
P	Safety valve	G 1/2" F	400
AIR RELEASE			
O	Air vent valve	G 1/2" F	1885



Energy Efficiency Class of the thermal store with insulation - C.
For more information please consult Data Sheets on our website.

THERMAL STORE WITH STAINLESS-STEEL IMMERSED HOT WATER STORAGE TANK

DUO 600/200 N P

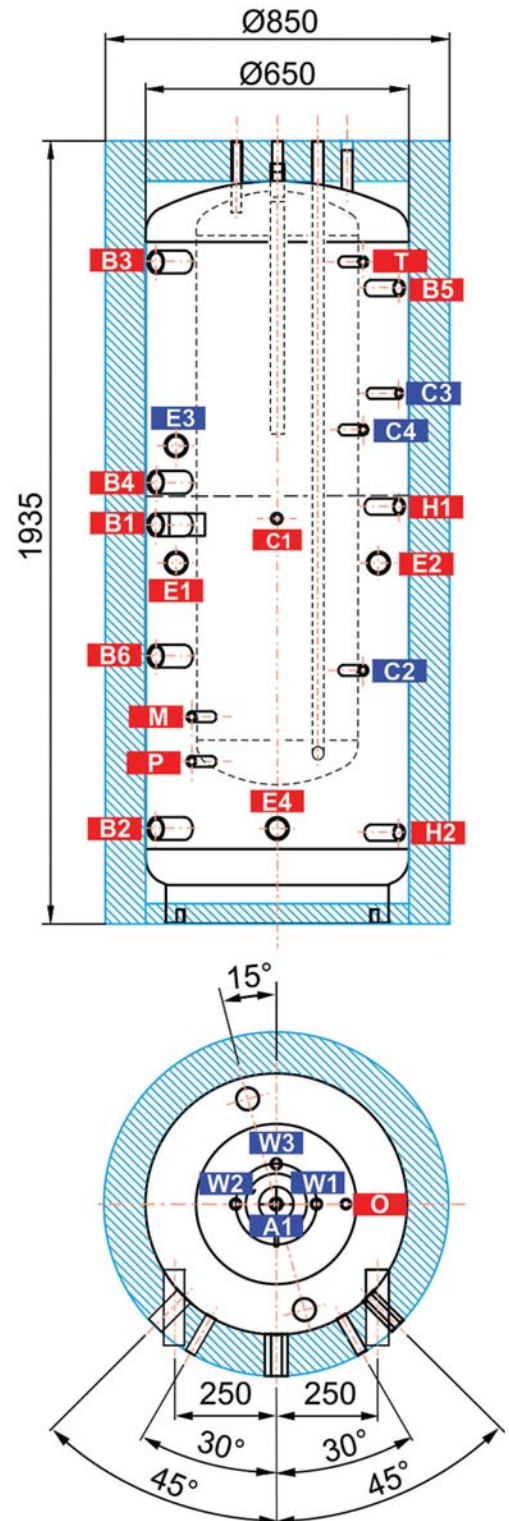
Tank code: 19147
Insulation code: 19330

TECHNICAL DATA:

TOTAL TANK VOLUME	559 l
MAX. WORKING PRESSURE IN THERMAL STORE	3 bar
TIPPING HEIGHT WITHOUT INSULATION	1970 mm
MAX. HEATING ELEMENT LENGTH	500 mm
HOT WATER STORAGE TANK	
HOT WATER TANK VOLUME	174 l
MAX. WORKING PRESSURE IN HW TANK	6 bar
VOLUME OF SUPPLIED DHW (heated from 10°C to 40°C, at 8 l/min. flow rate and 60°C temperature in thermal store)	457 l

CONNECTIONS:

pos.	descriptions	connec- tion	height [mm]
HEAT SOURCES			
B1	Incoming from heat source	G 6/4" F	985
B2	Return to heat source	G 6/4" F	235
B3	Incoming from heat source	G 6/4" F	1635
B4	Return to heat source	G 6/4" F	1090
B5	Incoming from heat source	G 1" F	1570
B6	Incoming from heat source	G 6/4" F	660
HEATING SYSTEM			
H1	Outgoing to heating system	G 1" F	1030
H2	Return from heating system	G 1" F	225
ELECTRIC HEATING ELEMENTS			
E1	Electric heating element for heating	G 6/4" F	890
E2	Electric heating element for heating	G 6/4" F	890
E3	Electric heating element for DHW	G 6/4" F	1180
E4	Electric heating element of PV system	G 6/4" F	235
DHW HEATING			
W1	Cold water	G 3/4" M	1935
W2	Hot water	G 3/4" M	1935
W3	Recirculation	G 3/4" M	1935
A1	Anode rod	G 3/4" F	1880
CONTROL & SAFETY			
C1	Temperature sensor - heating	G 1/2" F	1000
C2	Temperature sensor - DHW	G 1/2" F	625
C3	Temperature sensor - DHW	G 1/2" F	1310
C4	Temperature sensor - DHW	G 1/2" F	1220
T	Thermometer	G 1/2" F	1635
M	Pressure gauge	G 1/2" F	510
P	Safety valve	G 1/2" F	400
AIR RELEASE			
O	Air vent valve	G 1/2" F	1910



For more information please consult Data Sheets on our website.

THERMAL STORE WITH STAINLESS-STEEL IMMERSED HOT WATER STORAGE TANK

DUO 750/200 N P

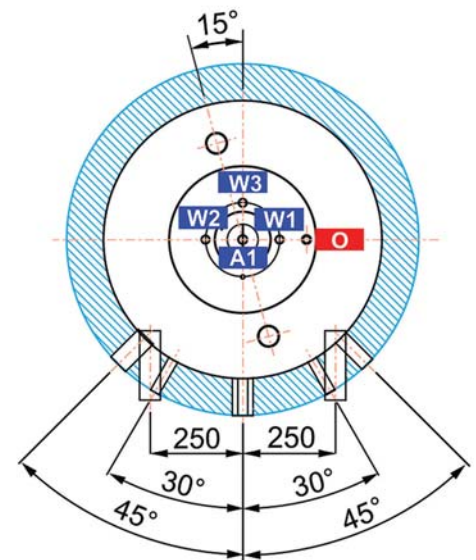
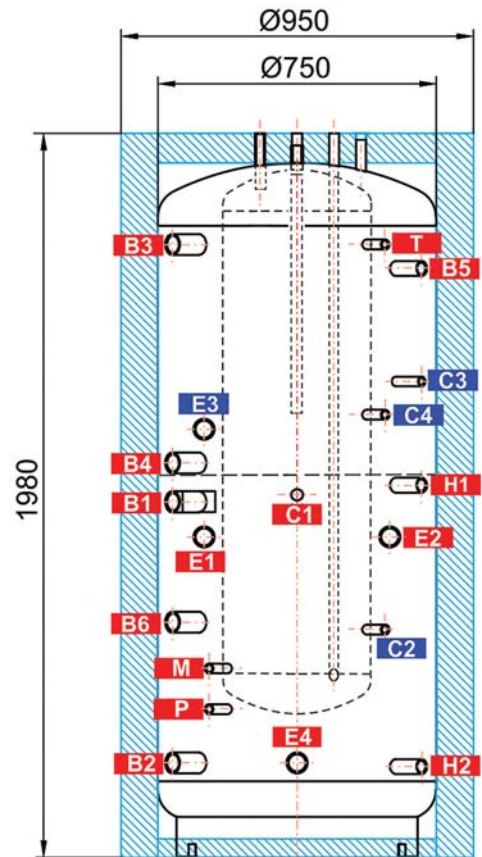
Tank code: 19141
Insulation code: 19333

TECHNICAL DATA:

TOTAL TANK VOLUME	757l
MAX. WORKING PRESSURE IN THERMAL STORE	3 bar
TIPPING HEIGHT WITHOUT INSULATION	2040 mm
MAX. HEATING ELEMENT LENGTH	635 mm
HOT WATER STORAGE TANK	
HOT WATER TANK VOLUME	174l
MAX. WORKING PRESSURE IN HW TANK	6 bar
VOLUME OF SUPPLIED DHW (heated from 10°C to 40°C, at 8 l/min. flow rate and 60°C temperature in thermal store)	464l

CONNECTIONS:

pos.	descriptions	connec- tion	height [mm]
HEAT SOURCES			
B1	Incoming from heat source	G 6/4" F	960
B2	Return to heat source	G 6/4" F	255
B3	Incoming from heat source	G 6/4" F	1655
B4	Return to heat source	G 6/4" F	1065
B5	Incoming from heat source	G 1" F	1590
B6	Incoming from heat source	G 6/4" F	635
HEATING SYSTEM			
H1	Outgoing to heating system	G 1" F	1005
H2	Return from heating system	G 1" F	245
ELECTRIC HEATING ELEMENTS			
E1	Electric heating element for heating	G 6/4" F	865
E2	Electric heating element for heating	G 6/4" F	865
E3	Electric heating element for DHW	G 6/4" F	1155
E4	Electric heating element of PV system	G 6/4" F	255
DHW HEATING			
W1	Cold water	G 3/4" M	1980
W2	Hot water	G 3/4" M	1980
W3	Recirculation	G 3/4" M	1980
A1	Anode rod	G 3/4" F	1925
CONTROL & SAFETY			
C1	Temperature sensor - heating	G 1/2" F	975
C2	Temperature sensor - DHW	G 1/2" F	615
C3	Temperature sensor - DHW	G 1/2" F	1285
C4	Temperature sensor - DHW	G 1/2" F	1195
T	Thermometer	G 1/2" F	1655
M	Pressure gauge	G 1/2" F	510
P	Safety valve	G 1/2" F	400
AIR RELEASE			
O	Air vent valve	G 1/2" F	1955



For more information please consult Data Sheets on our website.

THERMAL STORE WITH STAINLESS-STEEL IMMERSED HOT WATER STORAGE TANK

DUO 1000/200 N P

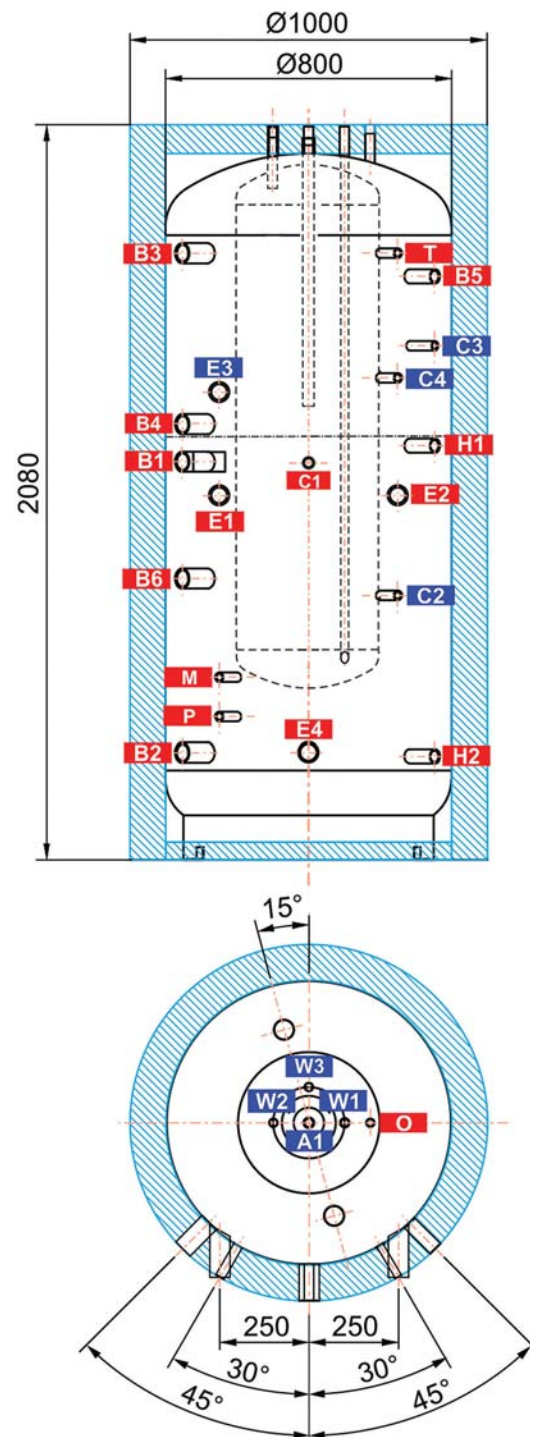
Tank code: 19143
Insulation code: 19334

TECHNICAL DATA:

TOTAL TANK VOLUME	903l
MAX. WORKING PRESSURE IN THERMAL STORE	3 bar
TIPPING HEIGHT WITHOUT INSULATION	2120 mm
MAX. HEATING ELEMENT LENGTH	700 mm
HOT WATER STORAGE TANK	
HOT WATER TANK VOLUME	174l
MAX. WORKING PRESSURE IN HW TANK	6 bar
VOLUME OF SUPPLIED DHW (heated from 10°C to 40°C, at 8 l/min. flow rate and 60°C temperature in thermal store)	538l

CONNECTIONS:

pos.	descriptions	connec- tion	height [mm]
HEAT SOURCES			
B1	Incoming from heat source	G 6/4" F	1115
B2	Return to heat source	G 6/4" F	300
B3	Incoming from heat source	G 6/4" F	1700
B4	Return to heat source	G 6/4" F	1220
B5	Incoming from heat source	G 1" F	1635
B6	Incoming from heat source	G 6/4" F	785
HEATING SYSTEM			
H1	Outgoing to heating system	G 1" F	1160
H2	Return from heating system	G 1" F	290
ELECTRIC HEATING ELEMENTS			
E1	Electric heating element for heating	G 6/4" F	1020
E2	Electric heating element for heating	G 6/4" F	1020
E3	Electric heating element for DHW	G 6/4" F	1310
E4	Electric heating element of PV system	G 6/4" F	300
DHW HEATING			
W1	Cold water	G 3/4" M	2080
W2	Hot water	G 3/4" M	2080
W3	Recirculation	G 3/4" M	2080
A1	Anode rod	G 3/4" F	2025
CONTROL & SAFETY			
C1	Temperature sensor - heating	G 1/2" F	1130
C2	Temperature sensor - DHW	G 1/2" F	740
C3	Temperature sensor - DHW	G 1/2" F	1440
C4	Temperature sensor - DHW	G 1/2" F	1350
T	Thermometer	G 1/2" F	1700
M	Pressure gauge	G 1/2" F	510
P	Safety valve	G 1/2" F	400
AIR RELEASE			
O	Air vent valve	G 1/2" F	2055



For more information please consult Data Sheets on our website.

THERMAL STORE WITH STAINLESS-STEEL IMMERSED HOT WATER STORAGE TANK

DUO 1700/200 N P

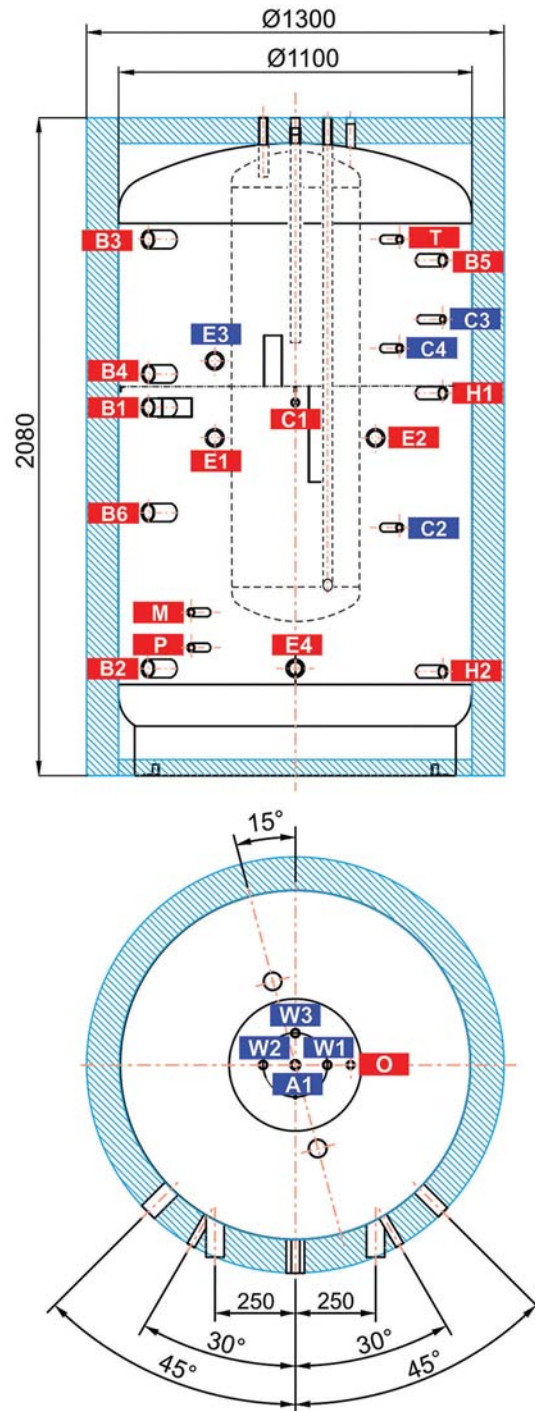
Tank code: 19137
Insulation code: 19354

TECHNICAL DATA:

TOTAL TANK VOLUME	1682l
MAX. WORKING PRESSURE IN THERMAL STORE	3 bar
TIPPING HEIGHT WITHOUT INSULATION	2200 mm
MAX. HEATING ELEMENT LENGTH	955 mm
HOT WATER STORAGE TANK	
HOT WATER TANK VOLUME	174l
MAX. WORKING PRESSURE IN HW TANK	6 bar
VOLUME OF SUPPLIED DHW (heated from 10°C to 40°C, at 8 l/min. flow rate and 60°C temperature in thermal store)	791l

CONNECTIONS:

pos.	descriptions	connec- tion	height [mm]
HEAT SOURCES			
B1	Incoming from heat source	G 6/4" F	1150
B2	Return to heat source	G 6/4" F	335
B3	Incoming from heat source	G 6/4" F	1675
B4	Return to heat source	G 6/4" F	1255
B5	Incoming from heat source	G 1" F	1610
B6	Incoming from heat source	G 6/4" F	820
HEATING SYSTEM			
H1	Outgoing to heating system	G 1" F	1195
H2	Return from heating system	G 1" F	325
ELECTRIC HEATING ELEMENTS			
E1	Electric heating element for heating	G 6/4" F	1055
E2	Electric heating element for heating	G 6/4" F	1055
E3	Electric heating element for DHW	G 6/4" F	1295
E4	Electric heating element of PV system	G 6/4" F	335
DHW HEATING			
W1	Cold water	G 3/4" M	2080
W2	Hot water	G 3/4" M	2080
W3	Recirculation	G 3/4" M	2080
A1	Anode rod	G 3/4" F	2025
CONTROL & SAFETY			
C1	Temperature sensor - heating	G 1/2" F	1165
C2	Temperature sensor - DHW	G 1/2" F	775
C3	Temperature sensor - DHW	G 1/2" F	1425
C4	Temperature sensor - DHW	G 1/2" F	1335
T	Thermometer	G 1/2" F	1675
M	Pressure gauge	G 1/2" F	510
P	Safety valve	G 1/2" F	400
AIR RELEASE			
O	Air vent valve	G 1/2" F	2055



For more information please consult Data Sheets on our website.

THERMAL STORE WITH STAINLESS-STEEL IMMERSED HOT WATER STORAGE TANK AND SOLAR HEAT EXCHANGER

DUO 390/130 N PR

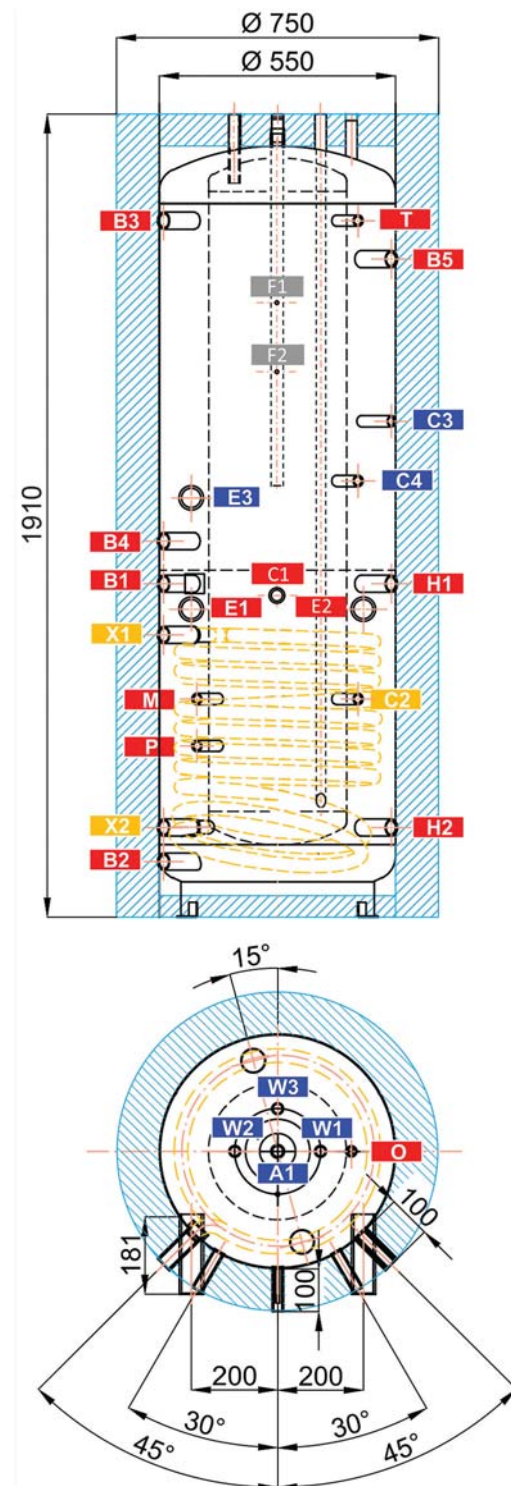
Tank code: 19139
Insulation code: 19293

TECHNICAL DATA:

TOTAL TANK VOLUME	396l
MAX. WORKING PRESSURE IN THERMAL STORE	3 bar
TIPPING HEIGHT WITHOUT INSULATION	1950 mm
MAX. HEATING ELEMENT LENGTH	500 mm
HOT WATER STORAGE TANK	
HOT WATER TANK VOLUME	123l
MAX. WORKING PRESSURE IN HW TANK	6 bar
VOLUME OF SUPPLIED DHW (heated from 10°C to 40°C, at 8 l/min. flow rate and 60°C temperature in thermal store)	277l
SOLAR HEAT EXCHANGERS	
SOLAR HEAT EXCHANGER VOLUME	9l
MAX. WORKING PRESSURE IN HEAT EXCHANGER	10 bar
SOLAR HEAT EXCHANGER SURFACE AREA	1.5 m ²

CONNECTIONS:

pos.	descriptions	connec- tion	height [mm]
HEAT SOURCES			
B1	Incoming from heat source	G 1" F	780
B2	Return to heat source	G 1" F	130
B3	Incoming from heat source	G 1" F	1630
B4	Return to heat source	G 1" F	880
B5	Incoming from heat source	G 1" F	1540
HEATING SYSTEM			
H1	Outgoing to heating system	G 1" F	780
H2	Return from heating system	G 1" F	210
SOLAR THERMAL SYSTEM			
X1	Incoming from solar collectors	G 1" F	660
X2	Return to solar collectors	G 1" F	210
ELECTRIC HEATING ELEMENTS			
E1	Electric heating element for heating	G 6/4" F	720
E2	Electric heating element for heating	G 6/4" F	720
E3	Electric heating element for DHW	G 6/4" F	980
DHW HEATING			
W1	Cold water	G 3/4" M	1910
W2	Hot water	G 3/4" M	1910
W3	Recirculation	G 3/4" M	1910
A1	Anode rod	G 3/4" M	1855
CONTROL & SAFETY			
C1	Temperature sensor - heating	G 1/2" F	750
C2	Temperature sensor - solar	G 1/2" F	510
C3	Temperature sensor - DHW	G 1/2" F	1160
C4	Temperature sensor - DHW	G 1/2" F	1020
T	Thermometer	G 1/2" F	1630
M	Pressure gauge	G 1/2" F	510
P	Safety valve	G 1/2" F	400



pos.	descriptions	connec- tion	height [mm]
AIR RELEASE			
O	Air vent valve	G 1/2" F	1885
OTHER			
F1	Pump station mounting	M 6	1430
F2	Pump station mounting	M 6	1270

Energy Efficiency Class of the thermal store with insulation - C.
For more information please consult Data Sheets on our website.

THERMAL STORE WITH STAINLESS-STEEL IMMERSED HOT WATER STORAGE TANK AND SOLAR HEAT EXCHANGER

DUO 600/200 N PR

Tank code: 19133
Insulation code: 19321

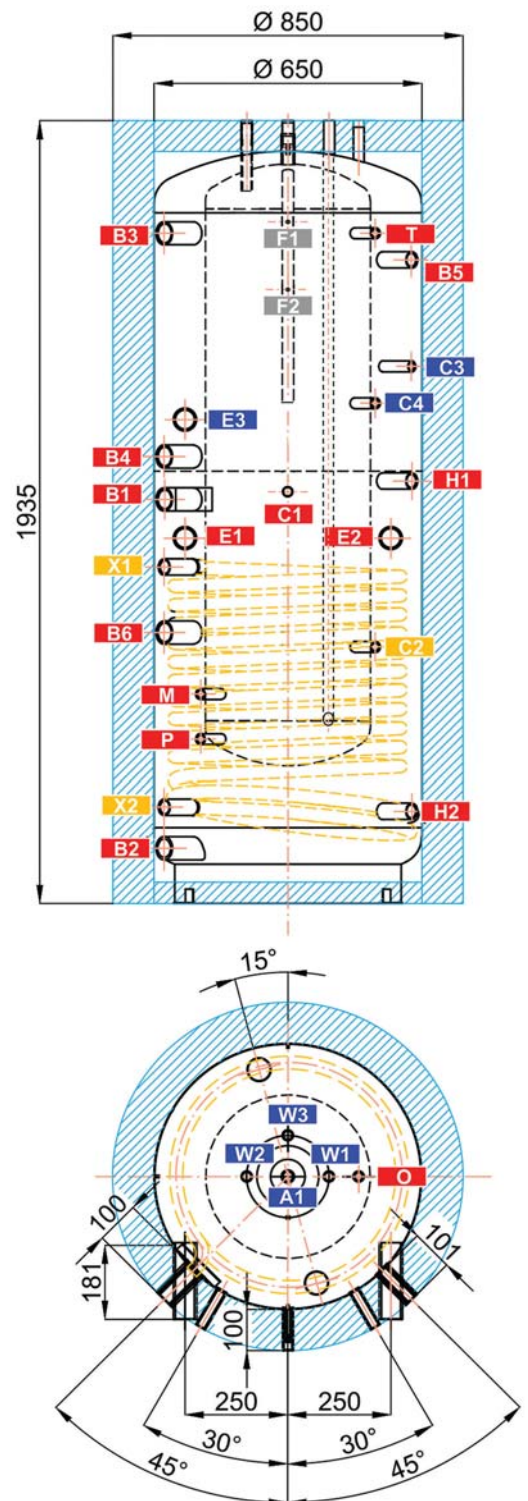
TECHNICAL DATA:

TOTAL TANK VOLUME	5591
MAX. WORKING PRESSURE IN THERMAL STORE	3 bar
TIPPING HEIGHT WITHOUT INSULATION	1970 mm
MAX. HEATING ELEMENT LENGTH	500 mm
HOT WATER STORAGE TANK	
HOT WATER TANK VOLUME	174 l
MAX. WORKING PRESSURE IN HW TANK	6 bar
VOLUME OF SUPPLIED DHW (heated from 10°C to 40°C, at 8 l/min. flow rate and 60°C temperature in thermal store)	457 l
SOLAR HEAT EXCHANGERS	
SOLAR HEAT EXCHANGER VOLUME	13 l
MAX. WORKING PRESSURE IN HEAT EXCHANGER	10 bar
SOLAR HEAT EXCHANGER SURFACE AREA	2.4 m ²

CONNECTIONS:

pos.	descriptions	connec- tion	height [mm]
HEAT SOURCES			
B1	Incoming from heat source	G 6/4" F	985
B2	Return to heat source	G 6/4" F	135
B3	Incoming from heat source	G 6/4" F	1635
B4	Return to heat source	G 6/4" F	1090
B5	Incoming from heat source	G 1" F	1570
B6	Incoming from heat source	G 6/4" F	660
HEATING SYSTEM			
H1	Outgoing to heating system	G 1" F	1030
H2	Return from heating system	G 1" F	225
SOLAR THERMAL SYSTEM			
X1	Incoming from solar collectors	G 1" F	820
X2	Return to solar collectors	G 1" F	235
ELECTRIC HEATING ELEMENTS			
E1	Electric heating element for heating	G 6/4" F	890
E2	Electric heating element for heating	G 6/4" F	890
E3	Electric heating element for DHW	G 6/4" F	1180
DHW HEATING			
W1	Cold water	G 3/4" M	1935
W2	Hot water	G 3/4" M	1935
W3	Recirculation	G 3/4" M	1935
A1	Anode rod	G 3/4" F	1880
CONTROL & SAFETY			
C1	Temperature sensor - heating	G 1/2" F	1000
C2	Temperature sensor - solar	G 1/2" F	625
C3	Temperature sensor - DHW	G 1/2" F	1310
C4	Temperature sensor - DHW	G 1/2" F	1220
T	Thermometer	G 1/2" F	1635
M	Pressure gauge	G 1/2" F	510
P	Safety valve	G 1/2" F	400

For more information please consult Data Sheets on our website.



pos.	descriptions	connec- tion	height [mm]
AIR RELEASE			
O	Air vent valve	G 1/2" F	1910
OTHER			
F1	Pump station mounting	M 6	1660
F2	Pump station mounting	M 6	1500

THERMAL STORE WITH STAINLESS-STEEL IMMERSED HOT WATER STORAGE TANK AND SOLAR HEAT EXCHANGER

DUO 750/200 N PR

Tank code: 19135

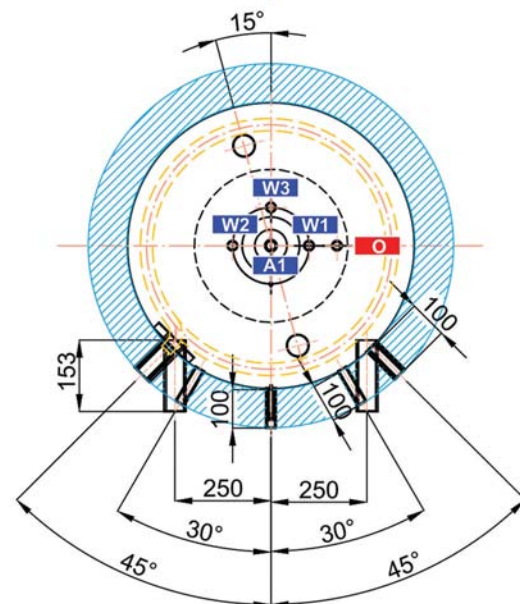
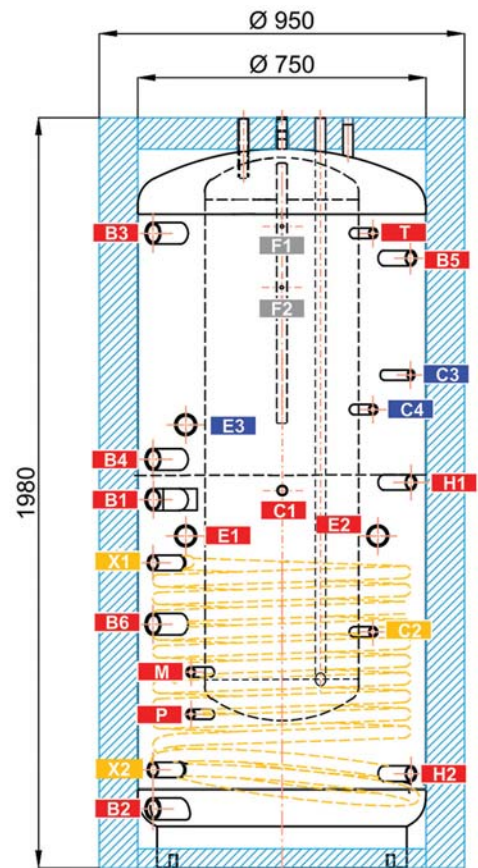
Insulation code: 19327

TECHNICAL DATA:

TOTAL TANK VOLUME	757 l
MAX. WORKING PRESSURE IN THERMAL STORE	3 bar
TIPPING HEIGHT WITHOUT INSULATION	2040 mm
MAX. HEATING ELEMENT LENGTH	635 mm
HOT WATER STORAGE TANK	
HOT WATER TANK VOLUME	174 l
MAX. WORKING PRESSURE IN HW TANK	6 bar
VOLUME OF SUPPLIED DHW (heated from 10°C to 40°C, at 8 l/min. flow rate and 60°C temperature in thermal store)	464 l
SOLAR HEAT EXCHANGERS	
SOLAR HEAT EXCHANGER VOLUME	15 l
MAX. WORKING PRESSURE IN HEAT EXCHANGER	10 bar
SOLAR HEAT EXCHANGER SURFACE AREA	2.5 m ²

CONNECTIONS:

pos.	descriptions	connec- tion	height [mm]
HEAT SOURCES			
B1	Incoming from heat source	G 6/4" F	960
B2	Return to heat source	G 6/4" F	155
B3	Incoming from heat source	G 6/4" F	1655
B4	Return to heat source	G 6/4" F	1065
B5	Incoming from heat source	G 1" F	1590
B6	Incoming from heat source	G 6/4" F	635
HEATING SYSTEM			
H1	Outgoing to heating system	G 1" F	1005
H2	Return from heating system	G 1" F	245
SOLAR THERMAL SYSTEM			
X1	Incoming from solar collectors	G 1" F	795
X2	Return to solar collectors	G 1" F	255
ELECTRIC HEATING ELEMENTS			
E1	Electric heating element for heating	G 6/4" F	865
E2	Electric heating element for heating	G 6/4" F	865
E3	Electric heating element for DHW	G 6/4" F	1155
DHW HEATING			
W1	Cold water	G 3/4" M	1980
W2	Hot water	G 3/4" M	1980
W3	Recirculation	G 3/4" M	1980
A1	Anode rod	G 3/4" F	1925
CONTROL & SAFETY			
C1	Temperature sensor - heating	G 1/2" F	975
C2	Temperature sensor - solar	G 1/2" F	615
C3	Temperature sensor - DHW	G 1/2" F	1285
C4	Temperature sensor - DHW	G 1/2" F	1195
T	Thermometer	G 1/2" F	1655
M	Pressure gauge	G 1/2" F	510
P	Safety valve	G 1/2" F	400



pos.	descriptions	connec- tion	height [mm]
AIR RELEASE			
O	Air vent valve	G 1/2" F	1955
OTHER			
F1	Pump station mounting	M 6	1680
F2	Pump station mounting	M 6	1520

For more information please consult Data Sheets on our website.

THERMAL STORE WITH STAINLESS-STEEL IMMERSED HOT WATER STORAGE TANK AND SOLAR HEAT EXCHANGER

DUO 1000/200 N PR

Tank code: 19149

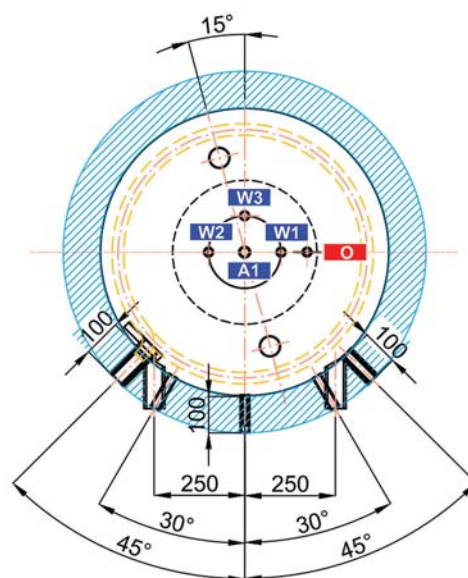
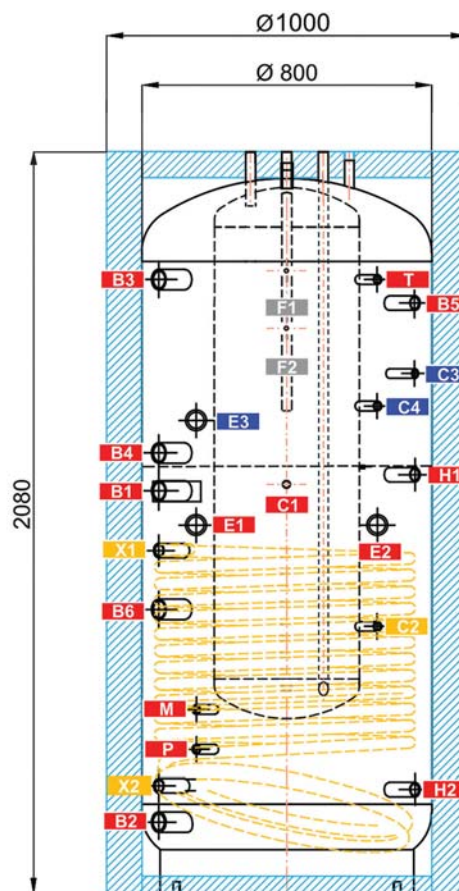
Insulation code: 19329

TECHNICAL DATA:

TOTAL TANK VOLUME	9031
MAX. WORKING PRESSURE IN THERMAL STORE	3 bar
TIPPING HEIGHT WITHOUT INSULATION	2120 mm
MAX. HEATING ELEMENT LENGTH	700 mm
HOT WATER STORAGE TANK	
HOT WATER TANK VOLUME	174 l
MAX. WORKING PRESSURE IN HW TANK	6 bar
VOLUME OF SUPPLIED DHW (heated from 10°C to 40°C, at 8 l/min. flow rate and 60°C temperature in thermal store)	538 l
SOLAR HEAT EXCHANGERS	
SOLAR HEAT EXCHANGER VOLUME	18 l
MAX. WORKING PRESSURE IN HEAT EXCHANGER	10 bar
SOLAR HEAT EXCHANGER SURFACE AREA	3.2 m ²

CONNECTIONS:

pos.	descriptions	connec- tion	height [mm]
HEAT SOURCES			
B1	Incoming from heat source	G 6/4" F	1115
B2	Return to heat source	G 6/4" F	200
B3	Incoming from heat source	G 6/4" F	1700
B4	Return to heat source	G 6/4" F	1220
B5	Incoming from heat source	G 1" F	1635
B6	Incoming from heat source	G 6/4" F	785
HEATING SYSTEM			
H1	Outgoing to heating system	G 1" F	1160
H2	Return from heating system	G 1" F	290
SOLAR THERMAL SYSTEM			
X1	Incoming from solar collectors	G 1" F	950
X2	Return to solar collectors	G 1" F	300
ELECTRIC HEATING ELEMENTS			
E1	Electric heating element for heating	G 6/4" F	1020
E2	Electric heating element for heating	G 6/4" F	1020
E3	Electric heating element for DHW	G 6/4" F	1310
DHW HEATING			
W1	Cold water	G 3/4" M	2080
W2	Hot water	G 3/4" M	2080
W3	Recirculation	G 3/4" M	2080
A1	Anode rod	G 3/4" F	2025
CONTROL & SAFETY			
C1	Temperature sensor - heating	G 1/2" F	1130
C2	Temperature sensor - solar	G 1/2" F	740
C3	Temperature sensor - DHW	G 1/2" F	1440
C4	Temperature sensor - DHW	G 1/2" F	1350
T	Thermometer	G 1/2" F	1700
M	Pressure gauge	G 1/2" F	510
P	Safety valve	G 1/2" F	400



pos.	descriptions	connec- tion	height [mm]
AIR RELEASE			
O	Air vent valve	G 1/2" F	2055
OTHER			
F1	Pump station mounting	M 6	1725
F2	Pump station mounting	M 6	1565

For more information please consult Data Sheets on our website.

THERMAL STORE WITH STAINLESS-STEEL IMMERSED HOT WATER STORAGE TANK AND SOLAR HEAT EXCHANGER

DUO 1700/200 N PR

Tank code: 19145

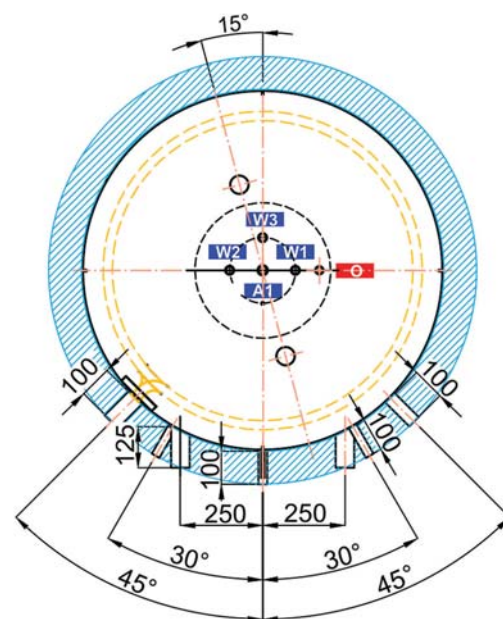
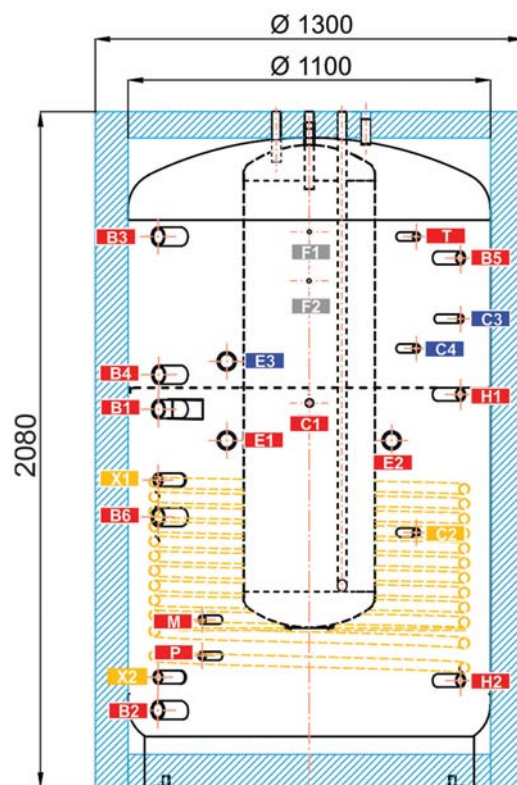
Insulation code: 19357

TECHNICAL DATA:

TOTAL TANK VOLUME	1682 l
MAX. WORKING PRESSURE IN THERMAL STORE	3 bar
TIPPING HEIGHT WITHOUT INSULATION	2200 mm
MAX. HEATING ELEMENT LENGTH	955 mm
HOT WATER STORAGE TANK	
HOT WATER TANK VOLUME	174 l
MAX. WORKING PRESSURE IN HW TANK	6 bar
VOLUME OF SUPPLIED DHW (heated from 10°C to 40°C, at 8 l/min. flow rate and 60°C temperature in thermal store)	791 l
SOLAR HEAT EXCHANGERS	
SOLAR HEAT EXCHANGER VOLUME	22 l
MAX. WORKING PRESSURE IN HEAT EXCHANGER	10 bar
SOLAR HEAT EXCHANGER SURFACE AREA	4 m ²

CONNECTIONS:

pos.	descriptions	connec- tion	height [mm]
HEAT SOURCES			
B1	Incoming from heat source	G 6/4" F	1150
B2	Return to heat source	G 6/4" F	235
B3	Incoming from heat source	G 6/4" F	1675
B4	Return to heat source	G 6/4" F	1255
B5	Incoming from heat source	G 1" F	1610
B6	Incoming from heat source	G 6/4" F	820
HEATING SYSTEM			
H1	Outgoing to heating system	G 1" F	1195
H2	Return from heating system	G 1" F	325
SOLAR THERMAL SYSTEM			
X1	Incoming from solar collectors	G 1" F	935
X2	Return to solar collectors	G 1" F	335
ELECTRIC HEATING ELEMENTS			
E1	Electric heating element for heating	G 6/4" F	1055
E2	Electric heating element for heating	G 6/4" F	1055
E3	Electric heating element for DHW	G 6/4" F	1295
DHW HEATING			
W1	Cold water	G 3/4" M	2080
W2	Hot water	G 3/4" M	2080
W3	Recirculation	G 3/4" M	2080
A1	Anode rod	G 3/4" F	2025
CONTROL & SAFETY			
C1	Temperature sensor - heating	G 1/2" F	1165
C2	Temperature sensor - solar	G 1/2" F	775
C3	Temperature sensor - DHW	G 1/2" F	1425
C4	Temperature sensor - DHW	G 1/2" F	1335
T	Thermometer	G 1/2" F	1675
M	Pressure gauge	G 1/2" F	510
P	Safety valve	G 1/2" F	400



pos.	descriptions	connec- tion	height [mm]
AIR RELEASE			
O	Air vent valve	G 1/2" F	2055
OTHER			
F1	Pump station mounting	M 6	1700
F2	Pump station mounting	M 6	1540

For more information please consult Data Sheets on our website.

