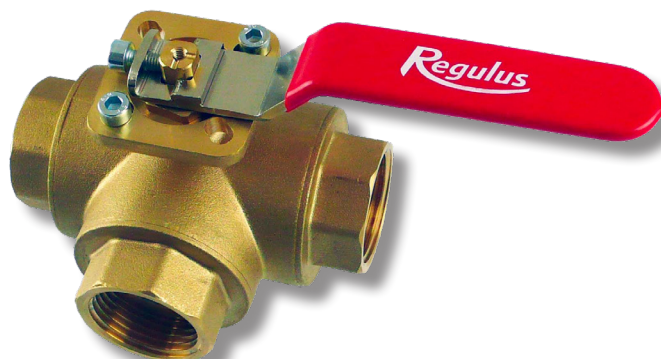


Regulus

www.regulus.eu



VZK M 3xx

Installation and Operation Manual
THREE-WAY ZONE BALL VALVE VZK M 3xx

EN

VZK M 3xx

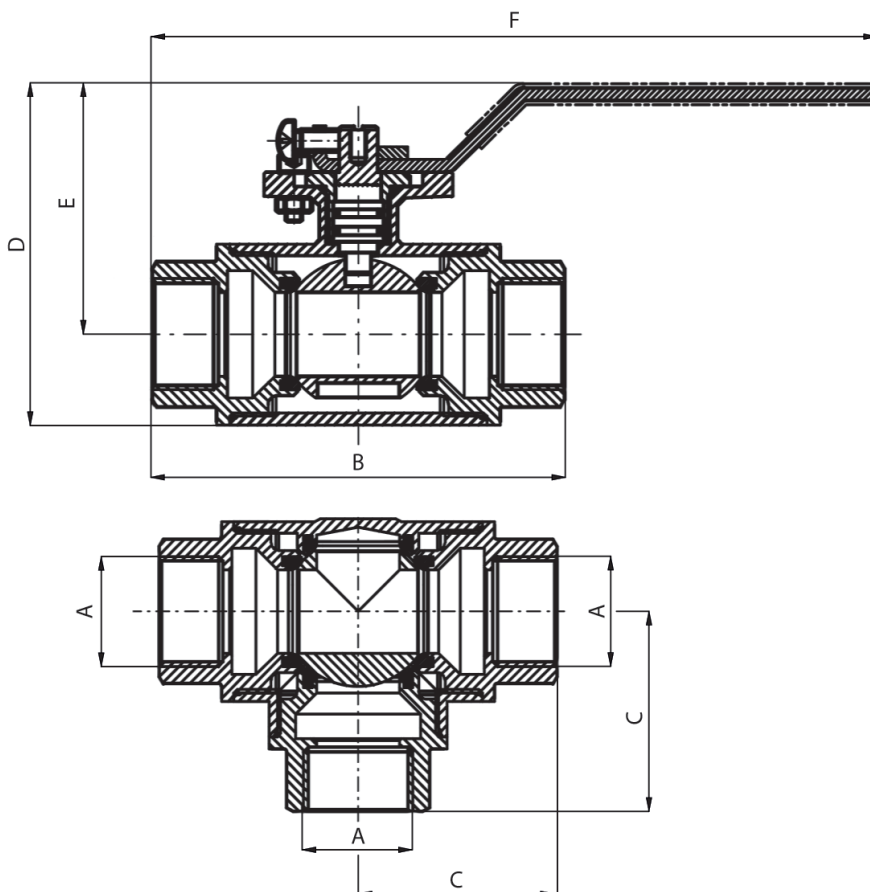
1. CONTENTS

A three-way zone valve with manual control, suitable for use in heating and solar thermal systems. During shifting, the valve does not interrupt the fluid flow through the common port. The direction of fluid flow is indicated by the groove on the spindle. Fluid can flow in either direction through the valve (the common port can be used as inlet/outlet).

2. TECHNICAL DATA

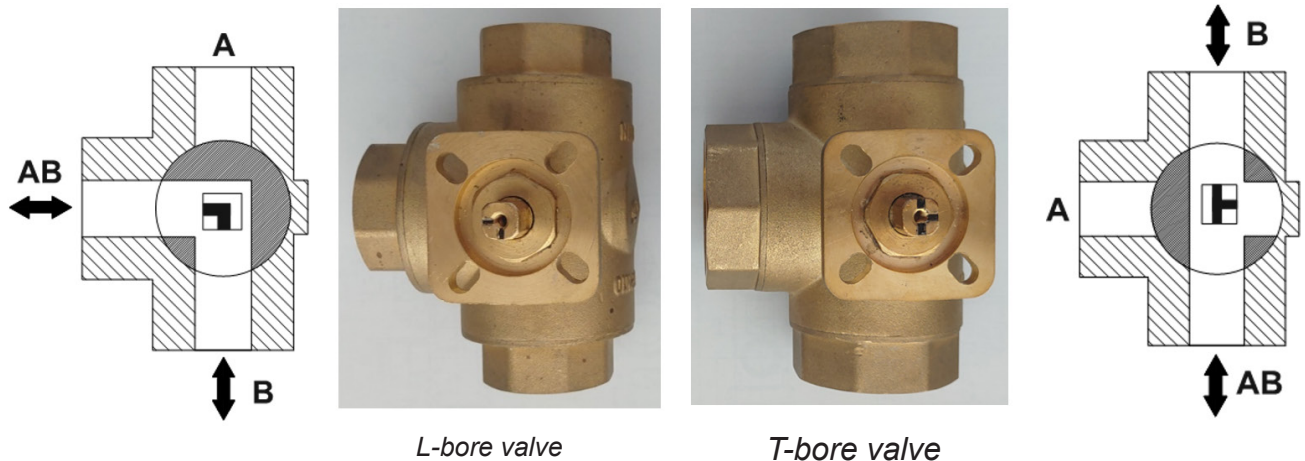
	Marking	Code	Nominal diameter DN	Connecting thread	"Kvs straight"	"Kvs angled"	Weight	A	B	C	D	E	F
					m ³ /h	m ³ /h							
L-bore	VZK M 320 L 3/4F	19841	20	3xG3/4"F	-	10.5	0.8	G3/4"F	96	50	80	59	168
	VZK M 320 L 1F	19832	20	3xG1"F	-	10.6	0.8	G1"F	96	50	80	59	168
	VZK M 325 L 1F	18860	25	3xG1"F	-	14.3	1.2	G1"F	104	52	90	64	174
	VZK M 325 L 5/4F	18864	25	3xG5/4"F	-	14.3	1.2	G5/4"F	104	52	90	64	174
	VZK M 325 L 6/4M	19002	25	3xG6/4"M	-	14.3	1.3	G6/4"M	128	64	90	64	184
T-bore	VZK M 320 T 3/4F	19839	20	3xG3/4"F	17.8	10.5	0.8	G3/4"F	96	50	80	59	168
	VZK M 320 T 1F	19834	20	3xG1"F	19.5	10.6	0.8	G1"F	96	50	80	59	168
	VZK M 325 T 1F	18865	25	3xG1"F	28.3	14.3	1.2	G1"F	104	52	90	64	174
	VZK M 325 T 5/4F	18867	25	3xG5/4"F	28.3	14.3	1.2	G5/4"F	104	52	90	64	174
	VZK M 325 T 6/4M	19004	25	3xG6/4"M	28.3	14.3	1.3	G6/4"M	128	64	90	64	184

Weight:



Installation, operation:

- Fluid can flow in either direction through the valve (the common port can be used as inlet/outlet).
- The valve lever handle can be repositioned by 90 deg.
- The valve is fitted with an ISO 5211 flange, permitting connection of and control by an actuator.



Technical Data	
Max. working pressure	10 bar
Max. fluid working temperature	110 °C
Angle of rotation	90°
Ambient working temperature	5 to 40 °C
Max. pressure difference	10 bar
Materials	
Valve housing	brass CW617N
Valve spindle	brass CW617N
Valve ball	chrome-plated brass
O – rings	EPDM, FPM
Seal	PTFE

