



Sentinel Kinetic B

A whole-house heat recovery ventilation unit with integrated summer by-pass, designed for ventilation of family homes of living area up to 200 sqm.

An integrated air bypass permits air to bypass the heat exchanger in the summer. Its control is automatic, based on both the outdoor and indoor temperatures.

The unit control is very simple, different ventilation intensity can be programmed for different times. It shall be installed on the wall in a utility room or on the floor in the attic.

The unit is fitted with a condensate discharge point that should be connected to a sanitary sewer.

The unit involves replaceable G3 class air filters (for fine dust).

As a result of the unit's high efficiency, during periods of extreme frost the heat exchanger might suffer from freezing; for this reason the unit is equipped with an automatic defrosting function. The heat exchanger freezing can be prevented by installing an air duct heater on the intake air duct – see the Air Duct Heaters chapter.

A compact size and a very low noise level are the big advantages of this unit.

Code: 10 176

Performance modes

3 performance modes (speeds) are preset in the unit. Preset values can be changed freely in relation to the space to be ventilated. Switching between low and medium speed modes is automatic following the preset time program. High speed mode (boost) can be switched on either periodically, or by schedule, or by pressing a key. The boost mode start can be also automatic, e.g. by turning on the light in toilet.

Technical Data

PERFORMANCE DATA

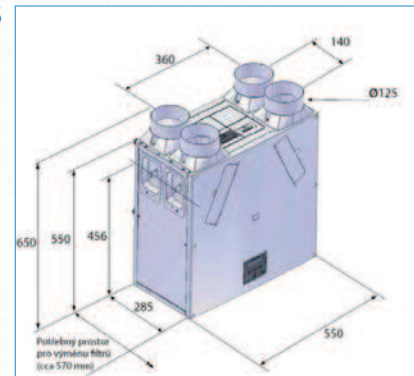
Max. air flow rate *	275 m ³ /h
Heat recovery efficiency	max. 92%
Energy Efficiency Class	A
Low air flow	20% (preset)
Medium air flow	30% (preset)
High air flow	50% (preset)
Purge	100%

*flow rates for specific installations shall be modified by performance diagrams

ACOUSTIC DATA

Sound level (at 3 m distance)	20 dB(A) for medium air flow
	36 dB(A) for high air flow

Dimensions



Accessories

The inbuilt control panel permits connection of external control elements, e.g. a humidity sensor or a carbon dioxide sensor. A remote control panel can be connected as well which is suitable in installations where the unit is located at a not easily accessible place.

Air flow settings with respect to the total floor area of ventilated rooms.

Max. ventilated room		Low air flow		Medium air flow		High air flow (boost)	
living area	space volume	setting	[m ³ /h]	setting	[m ³ /h]	setting	[m ³ /h]
80 m ²	200 m ³	25%	40	40%	70	60%	130
100 m ²	250 m ³	30%	50	50%	100	70%	160
120 m ²	300 m ³	35%	60	60%	130	80%	200
150 m ²	375 m ³	40%	70	70%	160	100%	240