

GATE ZONE VALVES



LK525 Three-way Zone Valve

Gate zone valves intended for heating or solar thermal systems with water or antifreeze fluid.

The valve is equipped with a **single-pole control** actuator. It comes with 1m long 3-core power supply cable. The valve shall not be installed with the actuator downwards.

The valve requires Neutral, Permanent Live and Switched Live. The valve is closed without Switched Live, as soon as Switched Live is present, the valve **opens fully within 12 sec.**

This is a slow closing/opening valve which means that there is no water hammer effect even under a bigger pressure difference.

Technical Data

MAX. WORKING PRESSURE	16 bar
FLUID WORKING TEMPERATURE	5 to 80°C, short term 90°C; with adapter (code 11278)

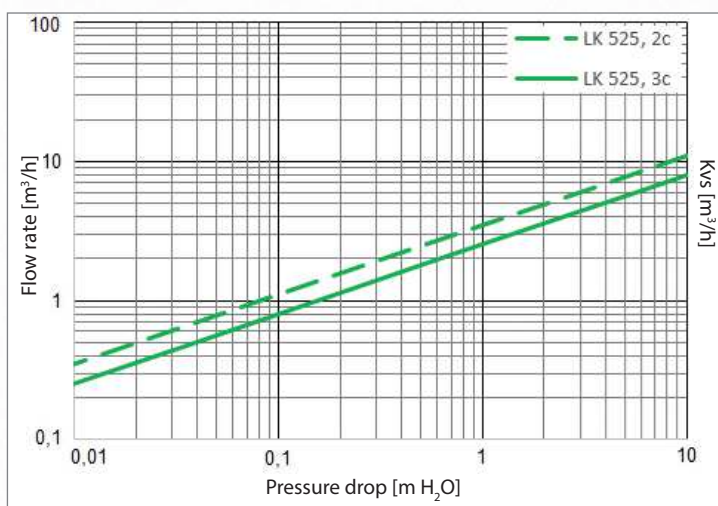
MATERIALS

VALVE BODY	forged brass
CLOSING ELEMENT	PPS composite
VALVE SPINDLE	PPS composite
POWER CABLE	PVC

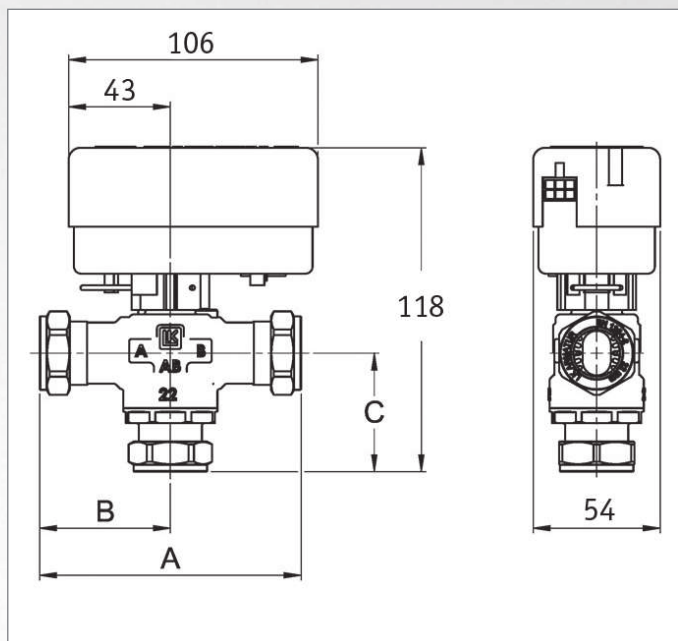
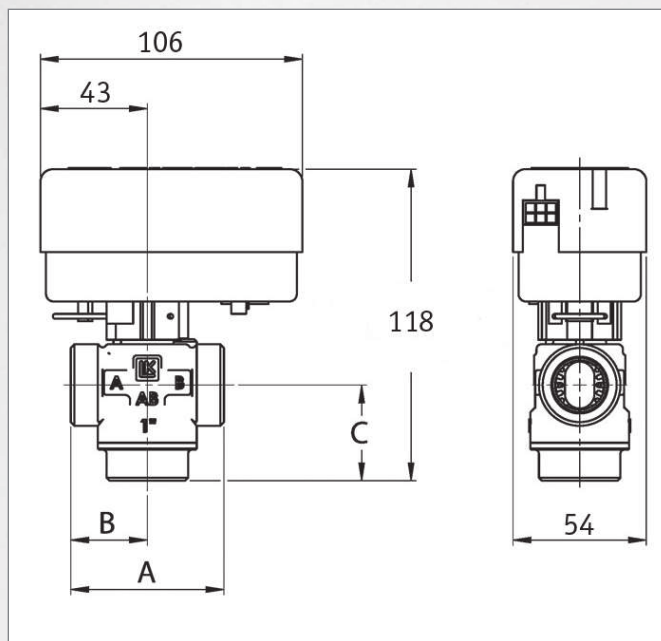
ACTUATOR

VOLTAGE	230 V 50 Hz
POWER INPUT	7 W
CURRENT	30 mA
IP RATING	IP 40
PROTECTION CLASS BY EN 61140 ed.2	II

Pressure drop

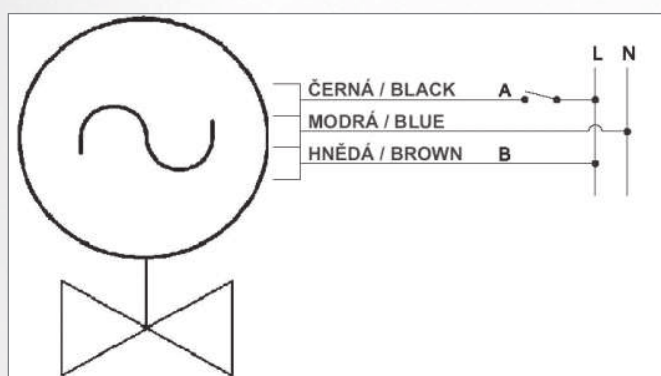


Dimensions and Models



CONNECTION	--	1" M	5/4" M	Cu22	Cu28
A	mm	62	74	110	110
B	mm	31	37	55	55
C	mm	39	40	50	54
D	mm	127	128	138	142
WEIGHT	kg	0.6	0.6	0.4	0.6
MAX. PRESSURE DIFFERENCE IN EITHER DIRECTION	m H ₂ O	10	10	10	10
Kvs	m ³ /h	8.0	8.0	8.0	8.0
CODE	--	11284	11285	14883	14884

Electric wiring



POWER CABLE

CROSS SECTION	3× 0.75 mm ²
LENGTH	1 m

