

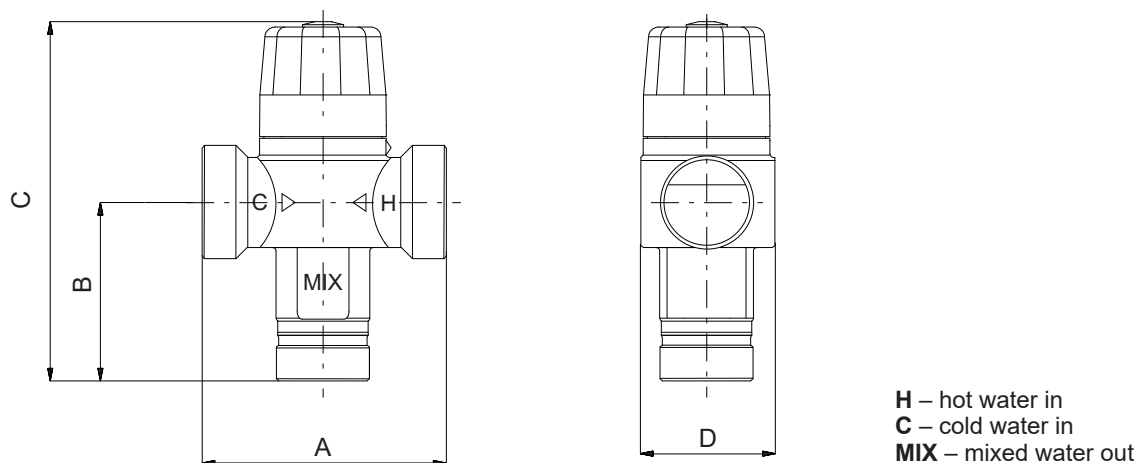


DATA SHEET

Wmix-H Thermostatic Mixing Valve for hot water

 <p>20412</p>  <p>20427</p>	Main Features
	<p>Description</p> <p>Valve ensures such mixing cold and hot water from a heater that the outgoing water is of the preset temperature. If cold water supply is interrupted, the valve closes hot water supply to avoid scalding at the outlet point. Valve code 20412 and 20413 have threaded fittings with check valve to prevent back flow and with strainer for protection against dirties at cold and hot water inlet to the valve. There is only threaded fitting at the mixed water outlet.</p> <p>Working fluid Drinking and hot water.</p> <p>Installation Following the connection diagram; the flow direction marked by arrows on the housing shall be respected.</p>
	Technical Data
	<p>Max. working pressure 10 bar</p> <p>Working fluid temperature 5 °C to 90 °C</p> <p>Temperature range 35 °C to 55 °C ± 2 °C</p> <p>Max. cold water temperature at the inlet to the valve 25 °C</p>
	Materials
	<p>Valve housing brass CW 617N</p> <p>Seal EPDM</p> <p>Check valve POM a EPDM</p> <p>Strainer AISI 304</p> <p>Control knob ABS</p>

Dimensions



Type	Wmix-H S20	Wmix-H S20 ZV 1/2 M	Wmix-H S25	Wmix-H S25 ZV 3/4 M
Code	20426	20412	20427	20413
A [mm]	60	130	68	148
B [mm]	50	85	50	90
C [mm]	102	137	102	142
D [mm]	39	39	39	39
Connection	3 x G 3/4" M	3 x G 1/2" M	3 x G 1" M	3 x G 3/4" M
Check valve and strainer	no	yes	no	yes
Kvs [m³/h]	1.1	0.9	1.3	1.2
Weight [kg]	0.3	0.6	0.4	0.7